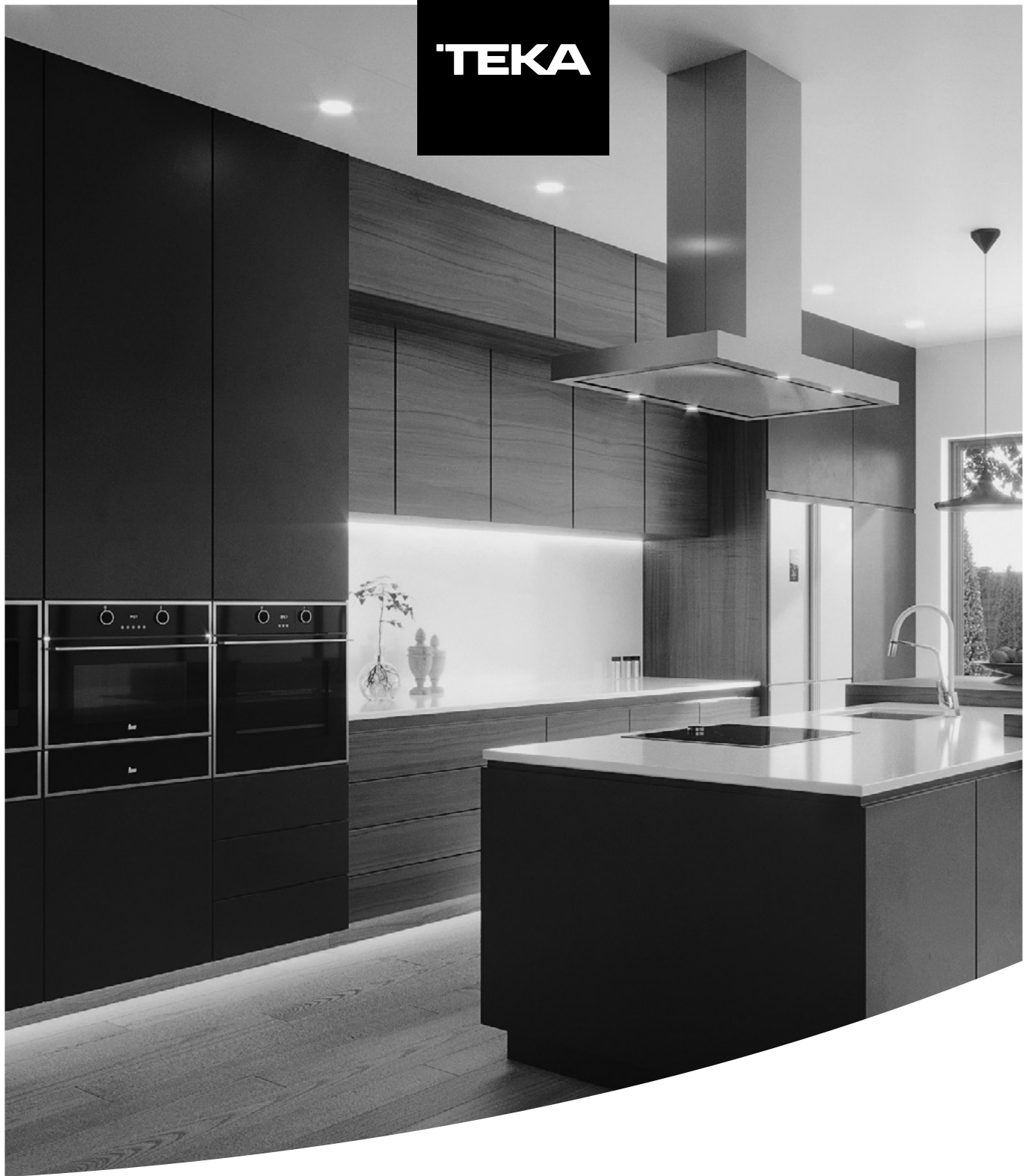


TEKA



User Manual
RSL 75640 SS

EN PT ES FR DE

www.teka.com

CONTENTS

| | |
|--|---------|
| 1 Safety warnings | |
| 1.1 Warning | 1-2 |
| 1.2 Meanings of safety warning symbols | 3 |
| 1.3 Electricity related warnings | 3 |
| 1.4 Warnings for using | 4 |
| 1.5 Warnings for placement | 4-5 |
| 1.6 Warnings for energy | 5 |
| 1.7 Warnings for disposal | 5 |
| 2 Proper use of the refrigerator | |
| 2.1 Placement | 6 |
| 2.2 Door handle installation | 7 |
| 2.3 Levelling feet | 8 |
| 2.4 Door Right-Left Change | 9 - 10 |
| 2.5 Starting | 11 |
| 2.6 Energy saving tips | 11 |
| 3 Structure and functions | |
| 3.1 Key components | 12 |
| 3.2 Functions | 13 - 14 |
| 4 Maintenance and care of the refrigerator | |
| 4.1 Overall cleaning | 15 |
| 4.2 Defrosting | 15 |
| 4.3 Out of operation | 15 |
| 5 Trouble shooting | |
| 5.1 Trouble shooting | 16 |
| 6 Parameters | |
| 6.1 Technical parameters | 17- 18 |

1 Safety warnings

1.1 Warning



Warning: risk of fire / flammable materials

This appliance is intended to be used in household and similar applications such as staff kitchen areas in shops, offices and other working environments; farm houses and by clients in hotels, motels and other residential type environments; bed and breakfast type environments; catering and similar non-retail applications.

This appliance is not intended for use by persons (including children) with reduced physical, sensory or mental capabilities, or lack of experience and knowledge, unless they have been given supervision or instruction concerning use of the appliance by a person responsible for their safety.)

Children should be supervised to ensure that they do not play with the appliance.

If the supply cord is damaged, it must be replaced by the manufacturer, its service agent or similarly qualified persons in order to avoid a hazard.

Do not store explosive substances such as aerosol cans with a flammable propellant in this appliance.

The appliance has to be unplugged after use and before carrying out user maintenance on the appliance.

Warning: Keep ventilation openings, in the appliance enclosure or in the built-in structure, clear of obstruction.

Warning: Do not use mechanical devices or other means to accelerate the defrosting process, other than those recommended by the manufacturer.

Warning: Do not damage the refrigerant circuit.

Warning: Do not use electrical appliances inside the food storage compartments of the appliance, unless they are of the type recommended by the manufacturer.

Warning: Please abandon the refrigerator according to local regulators for its use flammable blowing gas and refrigerant.

Warning: When positioning the appliance, ensure the supply cord is not trapped or damaged.

Warning: Do not locate multiple portable socket-outlets or portable power supplies at the rear of the appliance.

Do not use extension cords or ungrounded (two prong) adapters.

Danger: Risk of child entrapment. Before you throw away your old refrigerator or freezer:

- Take off the doors.
- Leave the shelves in place so that children may not easily climb inside.

The refrigerator must be disconnected from the source of electrical supply before attempting the installation of accessory.

Refrigerant and cyclopentane foaming material used for the appliance are flammable.

Therefore, when the appliance is scrapped, it shall be kept away from any fire source and be recovered by a special recovering company with corresponding qualification other than be disposed by combustion, so as to prevent damage to the environment or any other harm.

For EN standard: This appliance can be used by children aged from 8 years and above and persons with reduce physical sensory or mental capabilities or lack of experience and knowledge if they have been given supervision or instruction concerning use of the appliance in a safe way and understand the hazards involved. Children shall not play with the appliance. Cleaning and user maintenance shall not be made by children without supervision. Children aged from 3 to 8 years are allowed to load and unload refrigerating appliances.

The necessity that, for doors or lids fitted with locks and keys, the keys be kept out of the reach of children and not in the vicinity of the refrigerating appliance, in order to prevent children from being locked inside .

To avoid contamination of food, please respect the following instructions:




- Opening the door for long periods can cause a significant increase of the temperature in the compartments of the appliance.
- Clean regularly surfaces that can come in contact with food and accessible drainage systems.
- Clean water tanks if they have not been used for 48 h; flush the water system connected to a water supply if water has not been drawn for 5 days. (note 1)
- Store raw meat and fish in suitable containers in the refrigerator, so that it is not in contact with or drip onto other food.
- Two-star frozen-food compartments are suitable for storing pre-frozen food, storing or making ice-cream and making ice cubes. (note 2)
- One-, two- and three-star compartments are not suitable for the freezing of fresh food. (note 3)
- For appliances without a 4-star compartment: this refrigerating appliance is not suitable for freezing foodstuffs. (note 4)
- If the refrigerating appliance is left empty for long periods, switch off, defrost, clean, dry, and leave the door open to prevent mould developing within the appliance.

Note 1,2,3,4: Please confirm whether it is applicable according to your product compartment type.

For a freestanding appliance: this refrigerating appliance is not intended to be used as a built-in appliance.

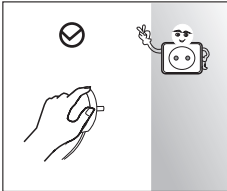
Any replacement or maintenance of the LED lamps is intended to be made by the manufacturer, its service agent or similar qualified person. This product contains a light source of energy efficiency class <G>.

1.2 Meaning of safety warning symbols

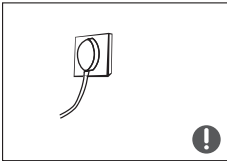
| | |
|---|---|
|  | This is a prohibition symbol. Any inobservance with instructions marked with this symbol may result in damage to the product or endanger the personal safety of the user. |
|  | This is a warning symbol. It is required to operate in strict observance of instructions marked with this symbol; or otherwise damage to the product or personal injury may be caused. |
|  | This is a cautioning symbol. Instructions marked with this symbol require special caution. Insufficient caution may result in slight or moderate injury, or damage to the product. |

This manual contains lots of important safety information which shall be observed by the users.

1.3 Electricity related warnings



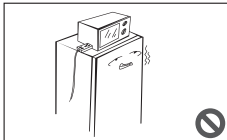
- Do not pull the power cord when pulling the power plug of the refrigerator. Please firmly grasp the plug and pull out it from the socket directly.
- To ensure safe use, do not damage the power cord or use the power cord when it is damaged or worn.



- Please use a dedicated power socket and the power socket shall not be shared with other electrical appliances.
- The power plug should be firmly contacted with the socket or else fires might be caused. please ensure that the grounding electrode of the power socket is equipped with a reliable grounding line.

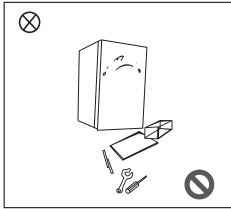


- Please turn off the valve of the leaking gas and then open the doors and windows in case of leakage of gas and other flammable gases.
- Do not unplug the refrigerator and other electrical appliances considering that spark may cause a fire.

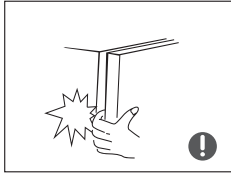


- It is recommended not to place electrical appliances such as power socket, voltage regulator, rice cooker, microwave oven etc. on the top of the refrigerator.

1.4 Warnings for using



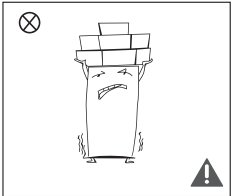
- Do not arbitrarily disassemble or reconstruct the refrigerator, nor damage the refrigerant circuit; maintenance of the appliance must be conducted by a specialist.
- Damaged power cord must be replaced by the manufacturer, its maintenance department or related professionals in order to avoid danger.



- The gaps between refrigerator doors and between doors and refrigerator body are small, be noted not to put your hand in these areas to prevent from squeezing the finger. Please be gentle when close or open the refrigerator door to avoid falling articles.
- Do not pick foods or containers with wet hands in the freezing chamber when the refrigerator is running, especially metal containers in order to avoid frostbite.

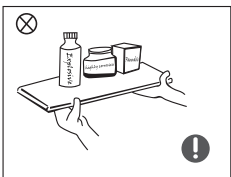


- Do not allow any child to get into or climb the refrigerator; otherwise suffocation or falling injury of the child may be caused.

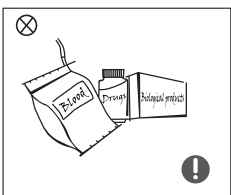


- Do not place heavy objects on the top of the refrigerator considering that objects may fall when close or open the door, and accidental injuries might be caused.
- Please pull out the plug in case of power failure or cleaning. Do not connect the freezer to power supply within five minutes to prevent damages to the compressor due to successive starts.

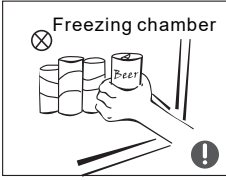
1.5 Warnings for placement



- Do not put flammable, explosive, volatile and highly corrosive items in the refrigerator to prevent damages to the product or fire accidents.
- Do not place flammable items near the refrigerator to avoid fires.



- The refrigerator is intended for household use, such as storage of foods; it shall not be used for other purposes, such as storage of blood, drugs or biological products, etc.



- Do not store beer, beverage or other fluid contained in bottles or enclosed containers in the freezing chamber of the refrigerator; or otherwise the bottles or enclosed containers may crack due to freezing to cause damages.

1.6 Warnings for energy

Warning for energy

- 1) Refrigerating appliances might not operate consistently (possibility of defrosting of contents or temperature becoming too warm in the frozen food compartment) when sited for an extended period of time below the cold end of the range of temperatures for which the refrigerating appliance is designed.
- 2) The fact that effervescent drinks should not be stored in food freezer compartments or cabinets or in low-temperature compartments or cabinets, and that some products such as water ices should not be consumed too cold;
- 3) The need to not exceed the storage time(s) recommended by the food manufacturers for any kind of food and particularly for commercially quick-frozen food in food-freezer and frozen-food storage compartments or cabinets;
- 4) The precautions necessary to prevent an undue rise in the temperature of the frozen food while defrosting the refrigerating appliance, such as wrapping the frozen food in several layers of newspaper.
- 5) The fact that a rise in temperature of the frozen food during manual defrosting, maintenance or cleaning could shorten the storage life.

1.7 Warnings for disposal

Refrigerant and cyclopentane foaming material used for the refrigerator are flammable. Therefore, when the refrigerator is scrapped, it shall be kept away from any fire source and be recovered by a special recovering company with corresponding qualification other than be disposed by combustion, so as to prevent damage to the environment or any other harm.



When the refrigerator is scrapped, disassemble the doors, and remove gasket of door and shelves; put the doors and shelves in a proper place, so as to prevent trapping of any child.

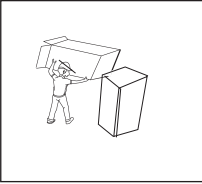


Correct Disposal of this product :

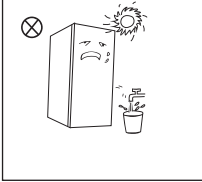
This marking indicates that this product should not be disposed with other household wastes. To prevent possible harm to the environment or human health from uncontrolled waste disposal, recycle it responsibly to promote the sustainable reuse of material resources. To return your used device, please use the return and collection systems or contact the retailer where the product was purchased. They can take this product for environmental safe recycling.

2 Proper use of refrigerators

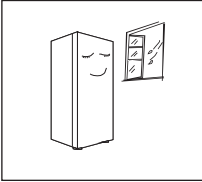
2. 1 Placement



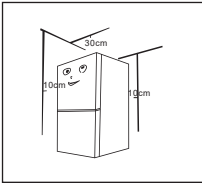
- Before use, remove all packing materials, including bottom cushions, foam pads and tapes inside of the refrigerator; tear off the protective film on the doors and the refrigerator body.



- Keep away from heat and avoid direct sunlight. Do not place the refrigerator in moist or watery places to prevent rust or reduction of insulating effect.
- Do not spray or wash the refrigerator; do not put the refrigerator in moist places easy to be splashed with water so as not to affect the electrical insulation properties of the refrigerator.



- The refrigerator is placed in a well-ventilated indoor place; the ground shall be flat, and sturdy (rotate left or right to adjust the wheel for levelling if unstable).



- The top space of the refrigerator shall be greater than 30cm, and the refrigerator should be placed against a wall with a free distance more than 10cm to facilitate heat dissipation.


ⓘ Precautions before installation:

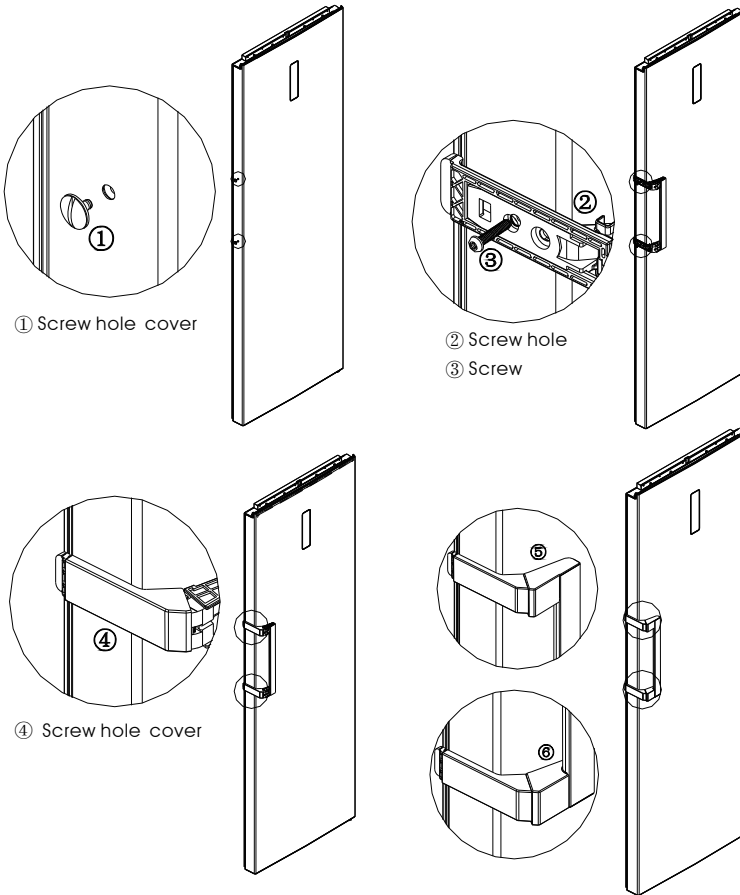
Before installation or adjusting of accessories, it shall be ensured that the refrigerator is disconnected from power.

Precautions shall be taken to prevent fall of the handle from causing any personal injury.

2.2 Door handle installation

Precautions shall be taken to prevent fall of the handle from causing any personal injury.

| | |
|---|-------------------|
| List of tools to be provided by the user | |
|  | Cross screwdriver |



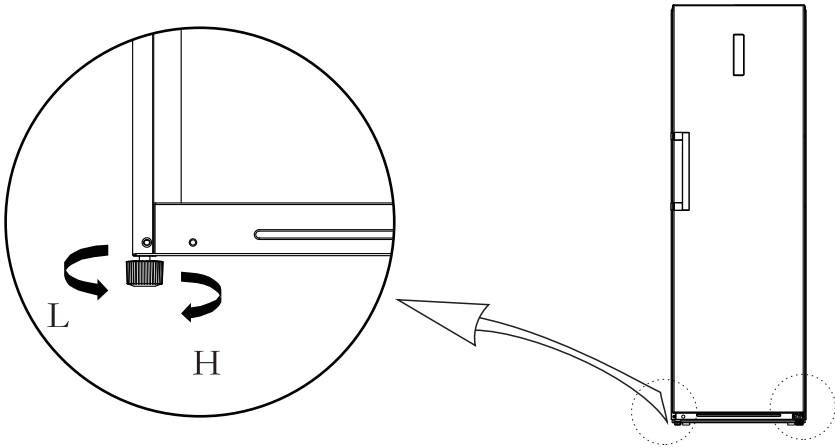
(The picture above is only for reference. The actual configuration will depend on the physical product or statement by the distributor)

Assembly steps

- Remove the screw hole caps ① from the door, and use cross screwdriver to fix screws ③ into the screw hole ② tightly.
- Assemble the screw hole cap ④ on the screw hole of handle.
- The reverse operation is for disassembly.

2. 3 Levelling feet

Schematic diagram of the levelling feet







(The picture above is only for reference. The actual configuration will depend on the physical product or statement by the distributor)

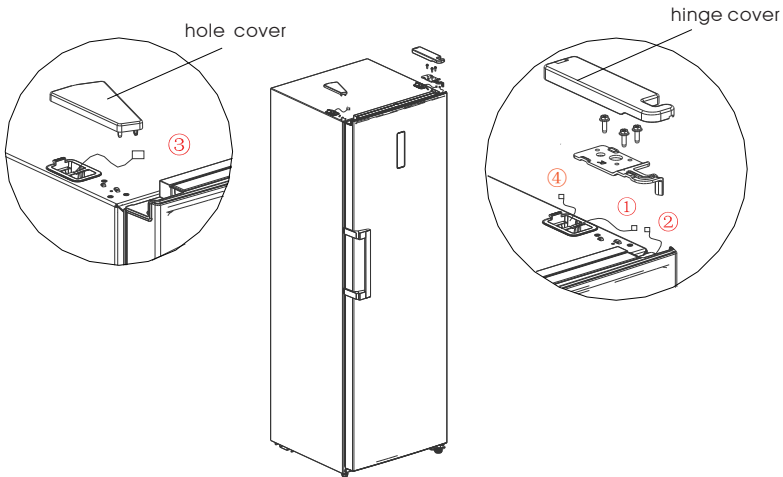
Adjusting procedures:

- a. Turn the feet clockwise to raise the refrigerator;
- b. Turn the feet counterclockwise to lower the refrigerator;
- c. Adjust the right and left feet based on the procedures above to a horizontal level.

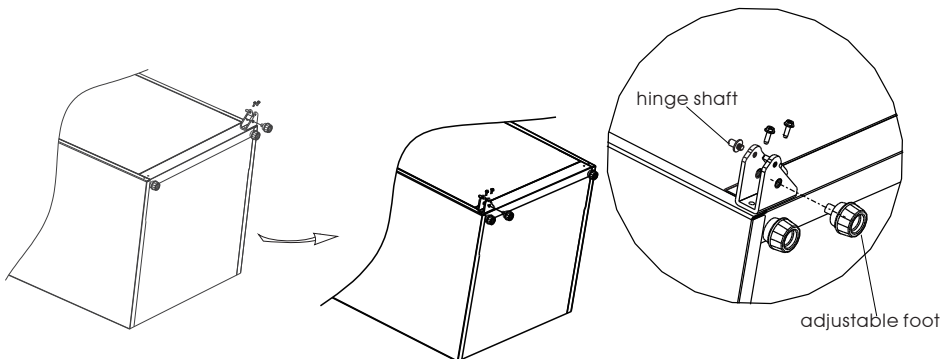
2. 4 Door Right-Left Change

| List of tools to be provided by the user | | | |
|--|-----------------------------|---|---------------------------------------|
|  | Cross screwdriver |  | Putty knife thin-blade screwdriver |
|  | 5/16" socket and ratchet |  | Masking tape |

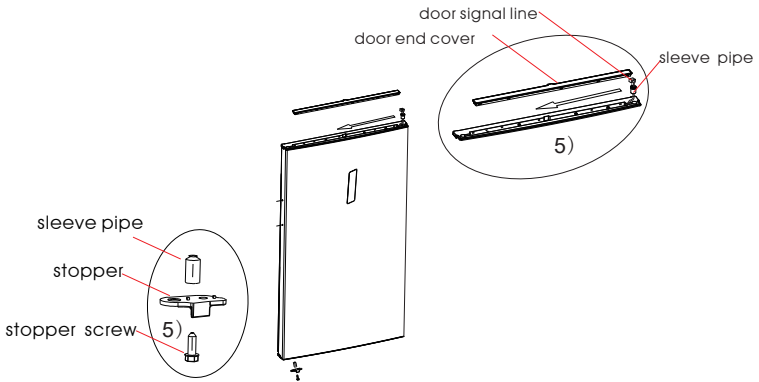
- 1) Power off the refrigerator, and remove all objects from the door trays.
- 2) Dismantle the screw hole caps ,screws and handle, and remove the plastic screwhole caps from the other side. please refer to chapter 2.2.
- 3) Dismantle the upper hinge cover, screws and upper hinge, and remove the hole cover from the other side. Unplug the wiring connector on the right side of refrigerator top (①,②wiring connector).



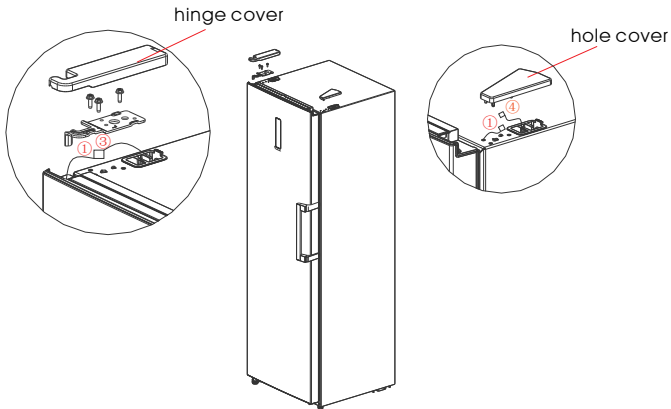
- 4) Dismantle the door and right bottom hinge assembly(hinge shaft&adjustable foot&hinge), and assemble the hinge shaft and adjustable foot on the other side of hinge, then assemble the whole hinge assembly on the other side of refrigerator.



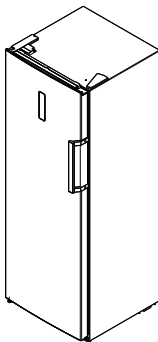
5) Remove the door end cover, install the upper hinge sleeve and door signal line to the other side and install the door end cover.
 Dismantle the door stopper, sleeve pipe from the right bottom of door, insert the sleeve pipe into hinge hole of left bottom of door, assemble door stopper on left bottom of door.



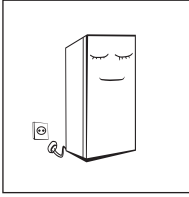
6) Take out the left top hinge, left top hinge cover from accessories package, place the door on bottom hinge, and mount left top hinge. Connect signal line terminal ③ with signal line terminal ②, connect signal line terminal ① with signal line terminal ④, mount top hinge cover and hole cover.



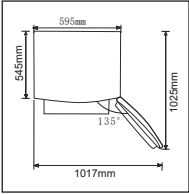
7) For the assembly of handle, please refer to chapter 2.2.



2.5 Starting



- Before initial start, keep the refrigerator still for two hours before connecting it to power supply.
- Before putting any fresh or frozen foods, the refrigerator shall have run for 2-3 hours, or for above 4 hours in summer when the ambient temperature is high.



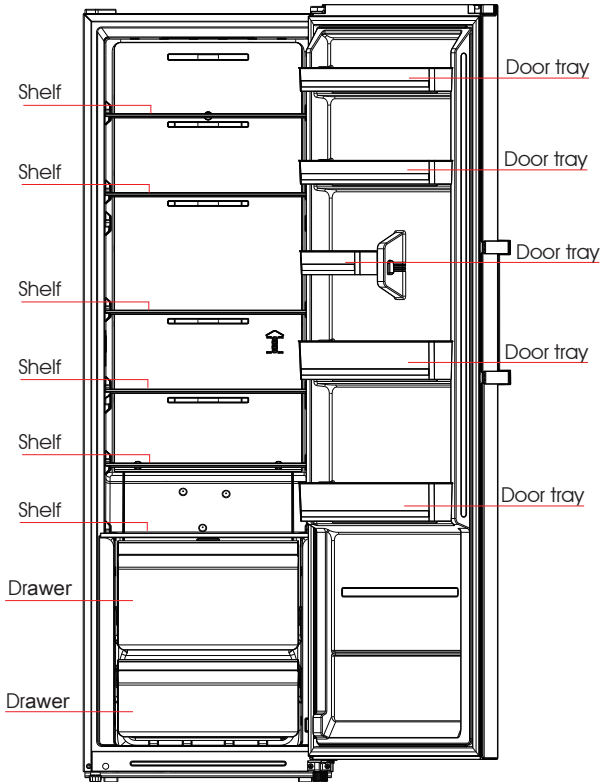
- Spare enough space for convenient opening of the doors and drawers or it is subject to distributor statement.

2.6 Energy saving tips

- The appliance should be located in the coolest area of the room, away from heat producing appliances or heating ducts, and out of the direct sunlight.
- Let hot foods cool to room temperature before placing in the appliance. Overloading the appliance forces the compressor to run longer. Foods that freeze too slowly may lose quality, or spoil.
- Be sure to wrap foods properly, and wipe containers dry before placing them in the appliance. This cuts down on frost build-up inside the appliance.
- Appliance storage bin should not be lined with aluminum foil, wax paper, or paper toweling. Liners interfere with cold air circulation, making the appliance less efficient.
- Organize and label food to reduce door openings and extended searches. Remove as many items as needed at one time, and close the door as soon as possible.

3 Structure and functions

3.1 Key components



(The picture above is only for reference. The actual configuration will depend on the physical product or statement by the distributor)

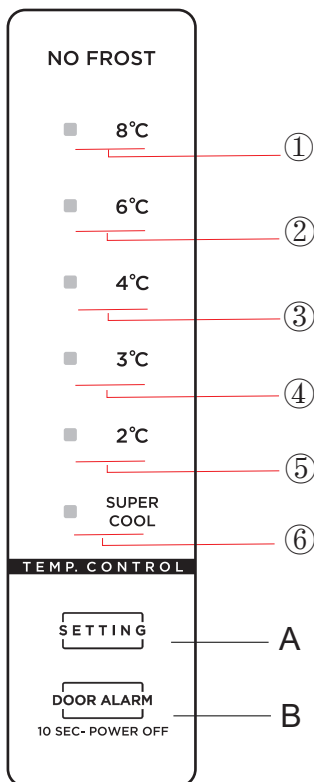
Refrigerating chamber

- The Refrigerating Chamber is suitable for storage of a variety of fruits, vegetables, beverages and other food consumed in the short term, suggested storage time 3days to 5days. Cooking foods shall not be put in the refrigerating chamber until cooled to room temperature.
- Foods are recommended to be sealed up before putting into the refrigerator.
- The glass shelves can be adjusted up or down for a reasonable amount of storage space and easy use.

Note: Usage of water glass shelf:

Glass shelf put aside a frame to take out about 50mm first, the right side raises 30 degrees or so, take out outside refrigerator again.

3. 2 Functions



(The picture above is only for reference. The actual configuration will depend on the physical product or statement by the distributor)

1) Key

- A. Temperature setting button
- B. Standby button

2) Temperature icons

- ① Setting 1: the setting temperature is 8°C
- ② Setting 2: the setting temperature is 6°C
- ③ Setting 3: the setting temperature is 4°C
- ④ Setting 4: the setting temperature is 3°C
- ⑤ Setting 5: the setting temperature is 2°C
- ⑥ Setting 6: Super cool

3) When the fridge power is on:

All temperature icons shine within 3s after power on, for power on at the first time, the default set temperature is 4°C.

After that, every time you start the fridge, it will run in accordance with the set temperature before last power off.

Display of normal running

On the occurrence of a failure, the corresponding icons will give a combined blink: the error codes and types are shown as follows:

Refrigerator:


| Error Code | Error Description | Display |
|------------|--|--|
| E1 | Temperature sensor of Refrigerator room fail | Icon " ^{SUPER} " & Icon " ² " shine at same time |
| E5 | Defrosting sensor of Refrigerator room fail | Icon " ^{SUPER} " & Icon " ³ " shine at same time |
| E6 | Communication error | Icon " ² " & Icon " ⁴ " shine at same time |
| E7 | Ambient temperature sensor fail | Icon " ^M " & Icon " ⁴ " shine at same time |

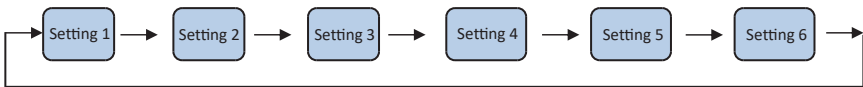
If no failure, the screen displays the setting temperature of the refrigerator room.

Standby function


Long press the standby button  for 10 seconds to set the standby function.

Temperature setting

The temperature setting will be changed once you press button(). Then, the refrigerator will run according to the new temperature setting after 15s.



Super cool mode

Enter: under refrigerator mode, press the button() until the icon ^{SUPER} lighten. During Super cool mode, the refrigerator runs according to the temperatures set at 2°C, and it will exit this mode automatically after running for 360 minutes or temperature setting or mode setting.

4. Maintenance and care of the appliance

4.1 Overall cleaning

- Dusts behind the refrigerator and on the ground shall be timely cleaned to improve the cooling effect and energy saving.
- Check the door gasket regularly to make sure there are no debris. Clean the door gasket with a soft cloth dampened with soapy water or diluted detergent.
- The interior of the refrigerator should be cleaned regularly to avoid odor.
- Please turn off the power before cleaning interior, remove all foods, drinks, shelves, drawers, etc.
- Use a soft cloth or sponge to clean the inside of the refrigerator, with two tablespoons of baking soda and a quart of warm water. Then rinse with water and wipe clean. After cleaning, open the door and let it dry naturally before turning on the power.
- For areas that are difficult to clean in the refrigerator (such as narrow sandwiches, gaps or corners), it is recommended to wipe them regularly with a soft rag, soft brush, etc. and when necessary, combined with some auxiliary tools (such as thin sticks) to ensure no contaminants or bacterials accumulation in these areas.
- Do not use soap, detergent, scrub powder, spray cleaner, etc., as these may cause odors in the interior of the refrigerator or contaminated food.
- Clean the bottle frame, shelves and drawers with a soft cloth dampened with soapy water or diluted detergent. Dry with a soft cloth or dry naturally.
- Wipe the outer surface of the refrigerator with a soft cloth dampened with soapy water, detergent, etc., and then wipe dry.
- Do not use hard brushes, clean steel balls, wire brushes, abrasives (such as toothpastes), organic solvents (such as alcohol, acetone, banana oil, etc.), boiling water, acid or alkaline items, which may damage the fridge surface and interior. Boiling water and organic solvents such as benzene may deform or damage plastic parts.
- Do not rinse directly with water or other liquids during cleaning to avoid short circuits or affect electrical insulation after immersion.



⚠ Please unplug the refrigerator for defrost and cleaning.

4.2 Defrosting

- The refrigerator is made based on the air-cooling principle and thus has automatic defrosting function. Frost formed due to change of season or temperature may also be manually removed by disconnection of the appliance from power supply or by wiping with a dry towel.

4.3 Out of operation

- Power failure: In case of power failure, even if it is in summer, foods inside the appliance can be kept for several hours; during the power failure, the times of door opening shall be reduced, and no more fresh food shall be put into the appliance.
- Long-time nonuse: The appliance shall be unplugged and then cleaned; then the doors are left open to prevent odor.
- Moving: Before the refrigerator is moved, take all objects inside out, fix the glass partitions, vegetable holder, freezing chamber drawers and etc. with tape, and tighten the levelling feet; close the doors and fix them with tape. During moving, the appliance shall not be laid upside down or horizontally, or be vibrated; the inclination during movement shall be no more than 45°.

⚠ The appliance shall run continuously once it is started. Generally, the operation of the appliance shall not be interrupted; otherwise the service life may be impaired

5 Trouble shooting

You may try to solve the following simple problems by yourself. If they cannot be solved, please contact the after-sales department.

| | |
|---------------------------------------|--|
| Failed operation | <p>Check whether the appliance is connected to power or whether the plug is in well contact</p> <p>Check whether the voltage is too low</p> <p>Check whether there is a power failure or partial circuits have tripped</p> |
| Odor | <p>Odorous foods shall be tightly wrapped</p> <p>Check whether there is any rotten food</p> <p>Clean the inside of the refrigerator</p> |
| Long-time operation of the compressor | <p>Long operation of the refrigerator is normal in summer when the ambient temperature is high</p> <p>It is not suggestible having too much food in the appliance at the same time</p> <p>Food shall get cool before being put into the appliance</p> <p>The doors are opened too frequently</p> |
| Light fails to get lit | <p>Check whether the refrigerator is connected to power supply and whether the illuminating light is damaged.</p> <p>Have the light replaced by a specialist</p> |
| Doors cannot be properly closed | <p>The door is stuck by food packages</p> <p>Too much food is placed</p> <p>The refrigerator is tilted</p> |
| Loud noise | <p>Check whether the floor is level and whether the refrigerator is placed stably</p> <p>Check whether accessories are placed at proper locations</p> |
| Door seal fails to be tight | <p>Remove foreign matters on the door seal</p> <p>Heat the door seal and then cool it for restoration (or blow it with an electrical drier or use a hot towel for heating)</p> |
| Water pan overflows | <p>There is too much food in the chamber or food stored contains too much water, resulting in heavy defrosting</p> <p>The doors are not closed properly, resulting in frosting due to entry of air and increased water due to defrosting</p> |
| Hot housing | <p>Heat dissipation of the built-in condenser via the housing, which is normal, when housing becomes hot due to high ambient temperature, storage of too much food or shutdown of the compressor is shut down provide sound ventilation to facilitate heat dissipation</p> |
| Surface condensation | <p>Condensation on the exterior surface and door seals of the refrigerator is normal when the ambient humidity is too high. Just wipe the condensate with a clean towel.</p> |
| Abnormal noise | <p>Buzz: The compressor may produce buzzes during operation, and the buzzes are loud particularly upon start or stop. This is normal.</p> <p>Creak: Refrigerant flowing inside of the appliance may produce creak, which is normal.</p> |

Table 1: Climate classes

| Class | Symbol | Ambient temperature range °C |
|---------------------------|---------------|-------------------------------------|
| Extended temperate | SN | + 10 to + 32 |
| Temperate | N | + 16 to + 32 |
| Subtropical | ST | + 16 to + 38 |
| Tropical | T | + 16 to + 43 |

Extended temperate: 'this refrigerating appliance is intended to be used at ambient temperatures ranging from 10 °C to 32 °C';

temperate: 'this refrigerating appliance is intended to be used at ambient temperatures ranging from 16 °C to 32 °C';

Subtropical: 'this refrigerating appliance is intended to be used at ambient temperatures ranging from 16 °C to 38 °C';

Tropical: 'this refrigerating appliance is intended to be used at ambient temperatures ranging from 16 °C to 43 °C';

Special for new European standard:

The ordered parts in the following table can be acquired from channel _:

| Ordered Part | Provided by | Minimum Time Required for Provision |
|------------------------|--|--|
| thermostats | Professional maintenance personnel | At least 7 years after the last model is launched on the market |
| temperature sensors | Professional maintenance personnel | At least 7 years after the last model is launched on the market |
| printed circuit boards | Professional maintenance personnel | At least 7 years after the last model is launched on the market |
| light sources | Professional maintenance personnel | At least 7 years after the last model is launched on the market |
| door handles | Professional repairers and final users | At least 7 years after the last model is launched on the market |
| door hinges | Professional repairers and final users | At least 7 years after the last model is launched on the market |
| trays | Professional repairers and final users | At least 7 years after the last model is launched on the market |
| baskets | Professional repairers and final users | At least 7 years after the last model is launched on the market |
| door gaskets | Professional repairers and final users | At least 10 years after the last model is launched on the market |

Dear customer

1. If you want to return or replace the product, please contact the store where you buy.
(Remember to bring the purchase invoice)

2. If your product breaks down which needs to repair, please contact after-sales service provider.

Telephone:

Email address:

ÍNDICE

| | |
|--|---------|
| 1 Avisos de segurança | |
| 1.1 Aviso | 1-2 |
| 1.2 Significado dos símbolos de aviso de segurança | 3 |
| 1.3 Avisos relacionados com eletricidade | 3 |
| 1.4 Avisos relacionados com a utilização | 4 |
| 1.5 Avisos relacionados com a colocação | 4-5 |
| 1.6 Avisos relacionados com a energia | 5 |
| 1.7 Avisos relativos à eliminação | 5 |
| 2 Utilização adequada do frigorífico | |
| 2.1 Posicionamento | 6 |
| 2.2 Instalação do puxador da porta | 7 |
| 2.3 Nivelamento dos pés | 8 |
| 2.4 Mudança de porta direita-esquerda | 9 - 10 |
| 2.5 Arranque | 11 |
| 2.6 Dicas de poupança de energia | 11 |
| 3 Estrutura e funções | |
| 3.1 Componentes principais | 12 |
| 3.2 Funções | 13 - 14 |
| 4 Manutenção e cuidados com o frigorífico | |
| 4.1 Limpeza geral | 15 |
| 4.2 Descongelação | 15 |
| 4.3 Fora de serviço | 15 |
| 5 Resolução de problemas | |
| 5.1 Resolução de problemas | 16 |
| 6 Parâmetros | |
| 6.1 Parâmetros técnicos | 17- 18 |

1 Avisos de segurança

1.1 Aviso



Aviso: risco de incêndio/materiais inflamáveis

Este aparelho destina-se a ser utilizado em ambiente doméstico e aplicações similares, como, por exemplo áreas de cozinha para pessoal em lojas, escritórios e outros ambientes de trabalho; em casas de campo e por clientes em hotéis, motéis e outros ambientes de tipo residencial; em ambientes do tipo cama e pequeno-almoço; em catering e aplicações similares sem ser de retalho.

Este aparelho não se destina a ser utilizado por pessoas (incluindo crianças) com capacidades físicas, sensoriais ou mentais reduzidas, ou com falta de experiência e conhecimento, a não ser que estejam sob supervisão ou lhes tenham sido dadas instruções relativamente à utilização do aparelho por uma pessoa responsável pela sua segurança.

As crianças devem ser supervisionadas para assegurar que não brincam com o aparelho.

Se o cabo de alimentação estiver danificado, o mesmo tem de ser substituído pelo fabricante, respetivo agente de manutenção ou por pessoas com qualificações similares, de modo a evitar perigos.

Não guarde substâncias explosivas, como embalagens de aerossóis com um combustível inflamável, neste aparelho.

O aparelho tem de ser desligado da corrente quando não é utilizado e antes de o utilizador efetuar a manutenção do aparelho.

Aviso: Mantenha as aberturas de ventilação, no corpo do aparelho ou na estrutura integrada, sem obstruções.

Aviso: Não use dispositivos mecânicos ou outros meios para acelerar o processo de descongelação, além dos recomendados pelo fabricante.

Aviso: Não danifique o circuito do refrigerante.

Aviso: Não use aparelhos elétricos no interior dos compartimentos de armazenamento de alimentos do aparelho, a não ser que sejam do tipo recomendado pelo fabricante.

Aviso: Desfaça-se do frigorífico de acordo com os regulamentos locais, visto que o mesmo contém gás de expansão inflamável e refrigerante.

Aviso: Ao posicionar o aparelho, assegure que o cabo de alimentação não fica entalado ou danificado.

Aviso: Não coloque múltiplas tomadas portáteis ou fontes de alimentação portáteis na parte de trás do aparelho.

Não use extensões elétricas ou adaptadores sem ligação à terra (dois terminais).

Perigo: Risco de entalamento de crianças. Antes de se desfazer do seu antigo frigorífico ou arca frigorífica:

- Remova as portas.
- Deixe as prateleiras no lugar para que as crianças não acedam facilmente ao interior.

O frigorífico tem de ser desligado da fonte de alimentação elétrica antes de proceder à instalação de acessórios.

O material de refrigeração e a espuma de ciclopentano utilizados no aparelho são inflamáveis. Portanto, quando terminar a vida útil do aparelho, deve mantê-lo afastado de qualquer fonte de incêndio e contactar uma empresa com as devidas qualificações para eliminar o aparelho sem ser através de combustão, com o objetivo de preservar o meio ambiente e evitar outros danos.

Para a norma EN: Este aparelho pode ser utilizado por crianças com idade a partir dos 8 anos e por pessoas com capacidades físicas, sensoriais ou mentais reduzidas ou com falta de experiência e conhecimento, caso estejam sob supervisão ou lhes tenham sido dadas instruções relativamente à utilização do aparelho de um modo seguro e compreendam os perigos envolvidos. As crianças não deverão brincar com o aparelho. A limpeza e a manutenção por parte do utilizador não deverão ser feitas por crianças que não estejam sob supervisão. As crianças dos 3 aos 8 anos de idade não podem carregar e descarregar aparelhos de refrigeração.

No que respeita a portas ou tampas instaladas com fechaduras e chaves, as chaves devem ser mantidas fora do alcance das crianças e afastadas do aparelho de refrigeração, para evitar que uma criança fique presa no seu interior.

Para evitar a contaminação da comida, respeite as seguintes instruções:

- Evite abrir a porta durante longos períodos de tempo, visto que pode causar um aumento significativo da temperatura nos compartimentos do aparelho.
- Limpe regularmente as superfícies que podem entrar em contacto com a comida e os sistemas de drenagem acessíveis.
- Limpe os tanques de água se não tiverem sido utilizados durante 48h; lave o sistema de água ligado a um abastecimento de água, se a água não tiver sido extraída durante 5 dias. (Nota 1)
- Armazene carne e peixe crus em recipientes adequados no frigorífico, para que não estejam em contacto nem pinguem sobre outros alimentos.
- Os compartimentos de alimentos congelados de duas estrelas são adequados para armazenar alimentos pré-congelados, armazenar ou fazer gelados e fazer cubos de gelo. (Nota 2)
- Os compartimentos de uma, duas e três estrelas não são adequados para o congelamento de alimentos frescos. (Nota 3)
- Para aparelhos sem compartimento de 4 estrelas: este aparelho frigorífico não é adequado para congelar alimentos. (Nota 4)
- Se o aparelho de refrigeração ficar vazio durante longos períodos de tempo, certifique-se que o desliga, descongela, limpa, seca e que deixa a porta aberta, para evitar o desenvolvimento de bolor dentro do aparelho.

Nota 1,2,3,4: Confirme se é aplicável de acordo com o seu tipo de compartimento de produtos.

Para um aparelho autónomo: este aparelho frigorífico não se destina a ser utilizado como aparelho integrado.

Qualquer substituição ou manutenção das lâmpadas LED deve ser efetuada pelo fabricante, pelo agente de manutenção ou por outra pessoa qualificada para esse efeito. Este produto contém uma fonte de luz da classe de eficiência energética <G>.

1.2 Significado dos símbolos de aviso de segurança



Símbolo de proibição

Este símbolo representa uma proibição. Qualquer não conformidade com as instruções assinaladas com este símbolo pode resultar em danos no produto ou colocar em perigo a segurança pessoal do utilizador.



Símbolo de aviso

Este símbolo representa um aviso. É necessário operar em estrita observância com as instruções indicadas neste símbolo; caso contrário, podem ocorrer danos no produto ou danos pessoais.

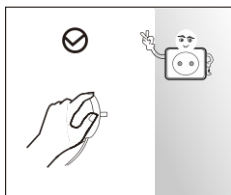


Símbolo de nota

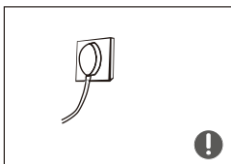
Este símbolo representa cuidado. As instruções assinaladas com este símbolo requerem especial atenção. Um nível de cuidado insuficiente pode resultar em ferimentos ligeiros ou moderados ou danos no produto.

Este manual contém muitas informações de segurança importantes que devem ser cumpridas pelos utilizadores.

1.3 Avisos relacionados com eletricidade



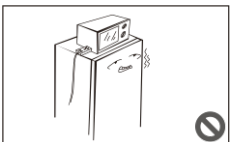
- Não puxe o cabo de alimentação da tomada quando desligar o frigorífico. Segure firmemente a ficha e puxe-a diretamente da tomada.
- Para garantir uma utilização segura, não danifique o cabo de alimentação nem utilize o cabo de alimentação danificado ou gasto.



- Utilize uma tomada dedicada, sendo que a mesma não deve ser partilhada com outros aparelhos elétricos.
- A ficha de alimentação deve estar firmemente ligada à tomada, caso contrário existe o risco de incêndio. Certifique-se de que o eletrodo de ligação à terra da tomada de alimentação está equipado com uma linha de ligação à terra fiável.



- Desligue a válvula com fuga de gás e abra as portas e janelas numa situação de fuga de gás e/ou outros gases inflamáveis.
- Não desligue o frigorífico e outros aparelhos elétricos, dado que podem provocar uma faísca e causar um incêndio.

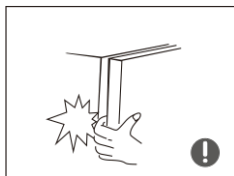


- Recomenda-se não colocar aparelhos elétricos, como tomada elétrica, regulador de voltagem, panela elétrica de arroz, forno microondas, etc., no topo do frigorífico.

1.4 Avisos relacionados com a utilização



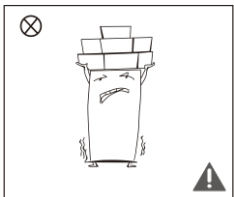
- Não desmonte nem reconstrua arbitrariamente o frigorífico, nem danifique o circuito de refrigeração; a manutenção do aparelho deve ser efetuada por um especialista
- No caso de danos no cabo de alimentação, este deve ser substituído pelo fabricante, pelo respetivo departamento de manutenção ou por profissionais relacionados, a fim de evitar perigos.



- As folgas entre as portas do frigorífico e entre as portas e o corpo do frigorífico são pequenas; não deve colocar as mãos nestes espaços, pois corre o risco de esmagar os dedos. Feche e abra a porta do frigorífico com cuidado para evitar a queda de itens no seu interior.
- Não pegue em alimentos ou recipientes, especialmente recipientes metálicos, na câmara de congelação com as mãos molhadas quando o frigorífico estiver em funcionamento, para evitar queimaduras provocadas pelo gelo.

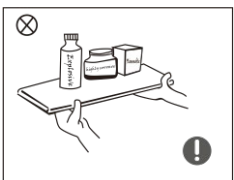


- Não permita que as crianças entrem ou subam pelo frigorífico, visto existir o risco de asfixia ou lesões devido a queda.

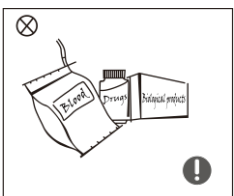


- Não coloque objetos pesados na parte superior do frigorífico, pois os objetos podem cair ao fechar ou abrir a porta, podendo provocar ferimentos acidentais.
- Retire o cabo da ficha no caso de falha de alimentação ou limpeza do frigorífico. Não ligue o aparelho à fonte de alimentação durante cinco minutos, para evitar danos no compressor devido a arranques sucessivos.

1.5 Avisos relacionados com a colocação



- Não coloque itens inflamáveis, explosivos, voláteis e altamente corrosivos no frigorífico, para evitar danos no produto ou o risco de incêndio.
- Não coloque itens inflamáveis junto ao frigorífico, para evitar o risco de incêndio.



- O frigorífico destina-se a uma utilização doméstica, nomeadamente para conservar alimentos; não deve ser utilizado para outros fins, como o armazenamento de sangue, fármacos ou produtos biológicos, etc.



- Não coloque bebidas como cerveja ou outros líquidos em garrafas ou recipientes fechados na câmara de congelador, uma vez que as garrafas ou os recipientes podem sofrer fissuras devido a danos provocados pela congelação.

1.6 Avisos relacionados com a energia

Aviso de energia

- 1) O aparelho de refrigeração pode não funcionar consistentemente (possibilidade de descongelação dos produtos ou temperatura demasiado quente no compartimento de alimentos congelados) se ficar demasiado tempo abaixo do limite mínimo de temperaturas para as quais foi concebido.
- 2) As bebidas gaseificadas não devem ser colocadas em compartimentos ou prateleiras de congelação de alimentos nem em compartimentos ou prateleiras a baixa temperatura, e alguns produtos, como gelados à base de água, não devem ser consumidos demasiado frios;
- 3) Não deve ultrapassar os tempos de conservação recomendados pelos fabricantes de produtos alimentares para qualquer tipo de alimento e, em particular, para alimentos ultracongelados disponíveis no mercado em compartimentos ou prateleiras de conservação de produtos congelados;
- 4) Durante a descongelação do aparelho de refrigeração, deve tomar as medidas necessárias para evitar a subida indesejável da temperatura dos alimentos congelados, como, por exemplo, embrulhando os alimentos congelados em várias folhas de jornal.
- 5) A subida da temperatura dos alimentos congelados durante a descongelação manual, manutenção ou limpeza pode encurtar a duração de conservação.

1.7 Avisos relacionados com a eliminação



O material de refrigeração e a espuma de ciclopentano utilizados no frigorífico são inflamáveis. Portanto, quando terminar a vida útil do frigorífico, deve mantê-lo afastado de qualquer fonte de incêndio e contactar uma empresa com as devidas qualificações para eliminar o aparelho sem ser através de combustão, com o objetivo de preservar o meio ambiente e evitar outros danos.



Quando terminar a vida útil do frigorífico, é necessário desmontar as portas, remover a vedação das portas e as prateleiras e mantê-las afastadas das crianças.

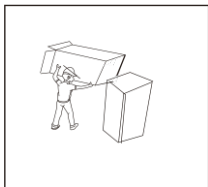


Eliminação correta deste produto:

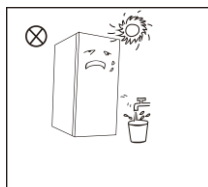
Este símbolo indica que o produto não deve ser eliminado juntamente com outros resíduos domésticos. Para preservar o meio ambiente e proteger a saúde dos seres humanos contra a eliminação não controlada de resíduos, o aparelho deve ser reciclado de forma responsável para promover a reutilização sustentável dos recursos materiais. Para devolução do aparelho usado, recorra aos sistemas de devolução e recolha ou contacte o local onde adquiriu o mesmo. Desta forma, o produto será recolhido e reciclado de uma forma segura para o meio ambiente.

2 Utilização adequada do frigorífico

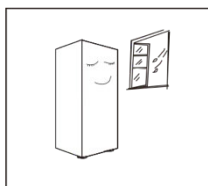
2.1 Posicionamento



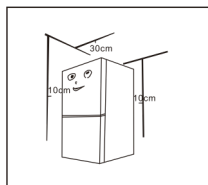
- Antes de utilizar, remova todos os materiais de acondicionamento, incluindo as almofadas da base, as almofadas de espuma e as fitas colocadas no interior do frigorífico; retire a película de proteção das portas e do corpo do frigorífico.



- Mantenha o aparelho afastado do calor e evite a luz solar direta. Não coloque o frigorífico em locais húmidos ou com água, para evitar a formação de ferrugem ou a redução do efeito de isolamento.
- Não pulverize nem lave o frigorífico; não coloque o frigorífico em locais húmidos fáceis de ser salpicados com água para não afetar as propriedades de isolamento elétrico do frigorífico.



- O frigorífico deve ser colocado num local interior bem ventilado; o pavimento deve ser plano e resistente (no caso de instabilidade, rode para a esquerda ou para a direita para ajustar a roda de nivelamento).




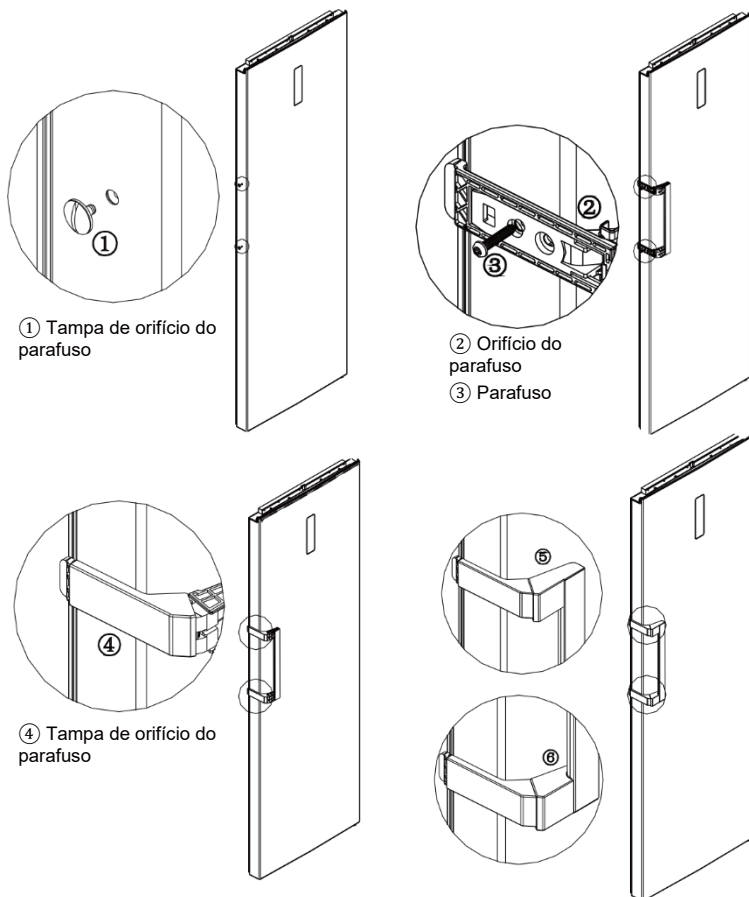
- O espaço entre o frigorífico e o teto deve ser superior a 30 cm e o frigorífico deve ser colocado contra a parede a uma distância superior a 10 cm para facilitar a dissipação do calor.

! Cuidados a ter antes da instalação:
Antes da instalação ou ajuste dos acessórios, o frigorífico não pode estar ligado à fonte de alimentação. É necessário tomar as devidas precauções para evitar ferimentos devido à queda do puxador.

2.2 Instalação do puxador da porta

É necessário tomar as devidas precauções para evitar ferimentos devido à queda da pega.

| Lista de ferramentas a fornecer pelo utilizador | |
|---|-------------------------|
|  | Chave de fendas Philips |



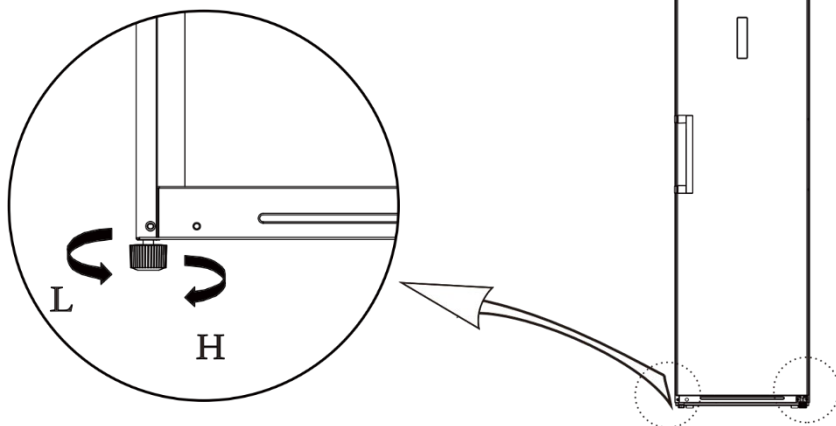
(A imagem acima serve apenas de referência. A configuração efetiva dependerá do produto físico ou da declaração do distribuidor)

Passos de montagem

- Remova as tampas dos orifícios dos parafusos ① da porta, e utilize uma chave de fendas cruzada para fixar bem os parafusos ③ no orifício do parafuso ②.
- Monte a tampa do orifício do parafuso ④ no orifício do parafuso do puxador.
- A operação inversa é realizada para a desmontagem.

2.3 Nivelamento dos pés

Diagrama esquemático de nivelamento dos pés







(A imagem acima serve apenas de referência. A configuração efetiva dependerá do produto físico ou da declaração do distribuidor)

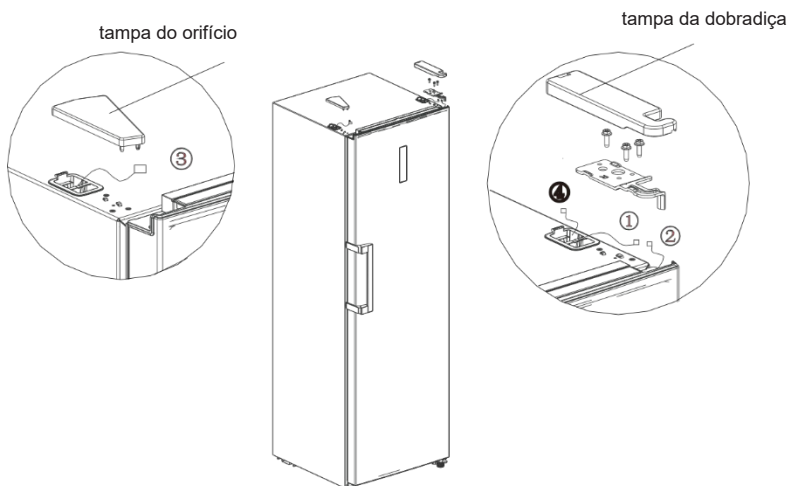
Procedimentos de ajuste:

- Rode os pés para a direita para elevar o frigorífico;
- Rode os pés para a esquerda para baixar o frigorífico;
- Ajuste os pés do lado esquerdo e do lado direito com base nas indicações acima até obter um nivelamento horizontal.

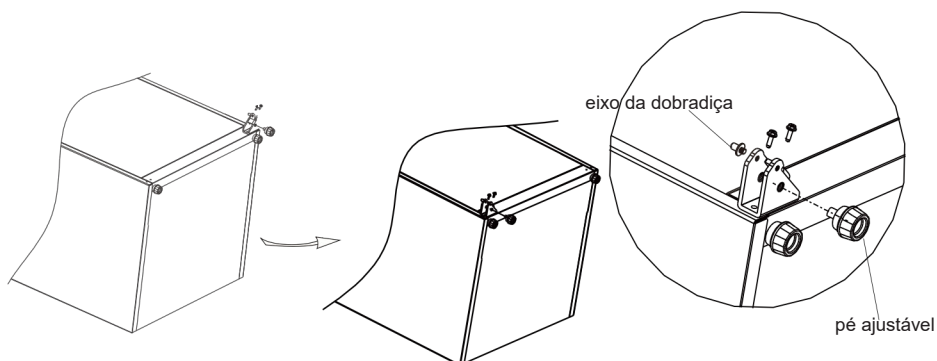
2.4 Mudança de porta direita-esquerda

| Lista de ferramentas a fornecer pelo utilizador | | | |
|--|-----------------------------------|---|--|
|  | Chave de fendas Philips |  | Chave de fendas de lâmina fina em espátula |
|  | tomada e engrenagem dentada 5/16" |  | Fita adesiva |

- 1) Desligue o frigorífico e remova todos os objetos das tabuleiros das portas.
- 2) Desmonte as tampas dos orifícios dos parafusos, parafusos e puxador, e remova as tampas plásticas dos orifícios dos parafusos do outro lado. Consulte o capítulo 2.2.
- 3) Desmonte a tampa superior da dobradiça, parafusos e dobradiça superior, e remova a tampa do orifício do outro lado. Desligue o conetor de ligação no lado direito da parte superior do frigorífico (①, ② conetor de ligação).

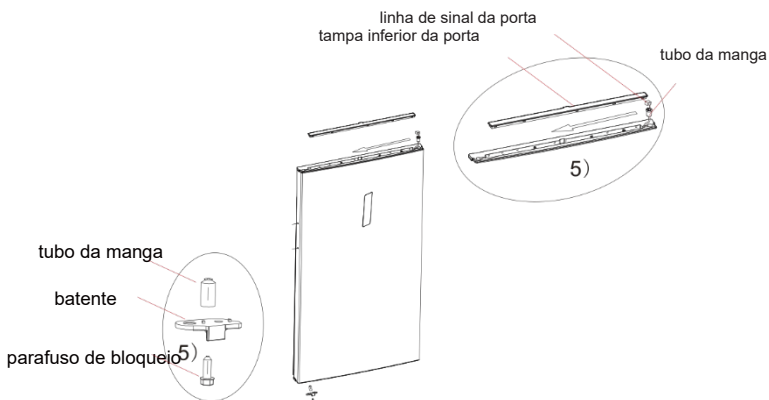


- 4) Desmonte o conjunto da porta e da dobradiça inferior direita (haste da dobradiça, pé ajustável e dobradiça), e monte a haste da dobradiça e o pé ajustável do outro lado da dobradiça, e depois monte todo o conjunto da dobradiça do outro lado do frigorífico.

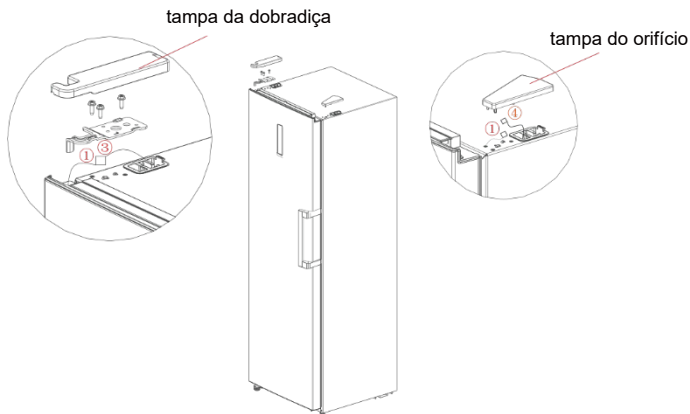


5) Remova a tampa inferior da porta, instale a manga superior da dobradiça e linha de sinal da porta para o outro lado, e instale a tampa inferior da porta.

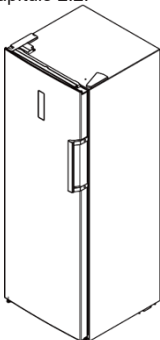
Desmonte o batente direito da porta, tubo da manga do canto inferior direito da porta, insira o tubo da manga no orifício da dobradiça do canto inferior esquerdo da porta e monte o batente da porta no canto inferior esquerdo da porta.



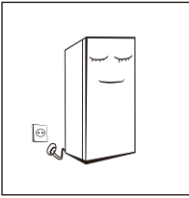
6) Retire a dobradiça superior esquerda, tampa superior esquerda do pacote de acessórios, coloque a porta na dobradiça inferior e monte a dobradiça superior esquerda. Ligue o terminal da linha de sinal ③ com o terminal da linha de sinal ②, ligue o terminal da linha de sinal ① com o terminal da linha de sinal ④, monte a tampa superior da dobradiça e a tampa do orifício.



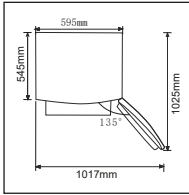
7) Para a montagem do puxador, consulte o capítulo 2.2.



2.5 Arranque



- Antes da utilização inicial, mantenha o frigorífico desligado durante duas horas antes de ligá-lo à fonte de alimentação.
- Coloque o frigorífico em funcionamento durante 2 ou 3 horas, ou mais de 4 horas na época do verão quando a temperatura ambiente é elevada, antes de colocar alimentos frescos ou congelados no frigorífico.



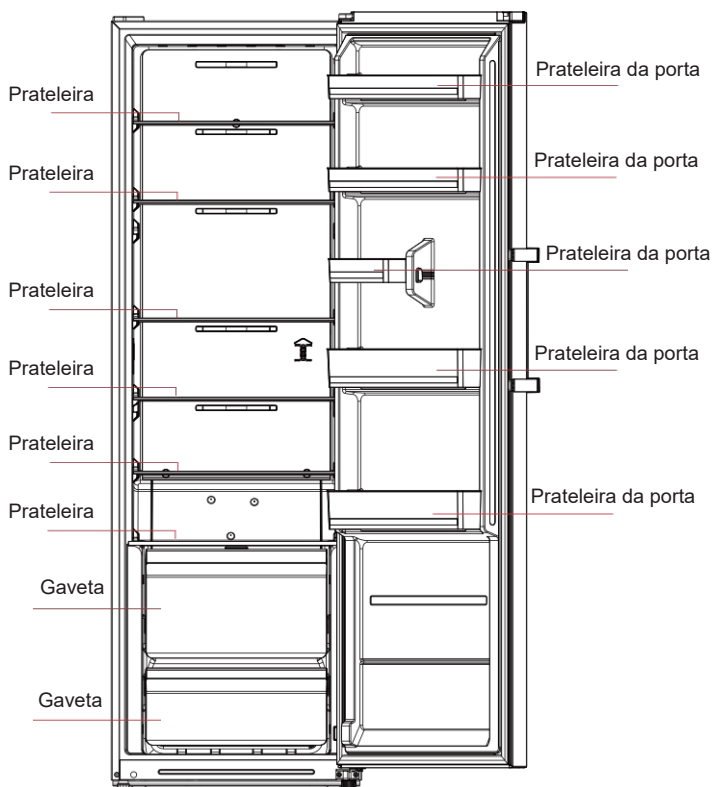
- Certifique-se de que existe espaço suficiente para abrir convenientemente as portas e as gavetas ou que está sujeito a declaração do distribuidor.

2.6 Dicas de poupança de energia

- O aparelho deve ser colocado na zona mais fresca da divisão, afastado de aparelhos que geram calor, de condutas de aquecimento e da luz solar direta.
- Os alimentos quentes devem arrefecer à temperatura ambiente antes de serem colocados no frigorífico. A sobrecarga do aparelho obriga ao funcionamento prolongado do compressor. Em resultado de uma congelação lenta, os alimentos podem perder a qualidade ou até mesmo estragar-se.
- Certifique-se de que protege os alimentos adequadamente e seque bem os recipientes antes de colocá-los no aparelho. Estas medidas reduzem a acumulação de gelo no interior do aparelho.
- O recipiente de conservação do aparelho não deve ser revestido com folha de alumínio, papel encerado ou papel absorvente. Estes materiais prejudicam a circulação de ar frio, tornando o aparelho menos eficiente.
- Organize e coloque etiquetas nos alimentos para reduzir o tempo de procura de alimentos no interior do aparelho. Retire o máximo de itens necessários de uma só vez e feche a porta assim que possível.

3 Estrutura e funções

3.1 Componentes principais



(A imagem acima serve apenas de referência. A configuração efetiva dependerá do produto físico ou da declaração do distribuidor)

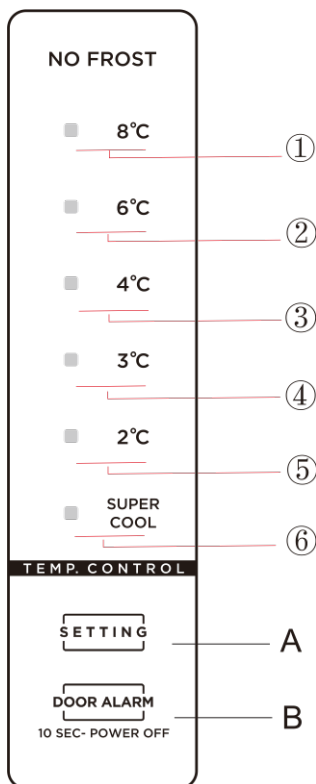
Câmara de refrigeração

- A câmara de refrigeração é adequada para conservação de vários tipos de fruta, vegetais, bebidas e outros alimentos com um prazo de validade curto, tempo de armazenamento sugerido de 3 a 5 dias.
- Os alimentos cozinhados só devem ser colocados na câmara de refrigeração depois de atingirem a temperatura ambiente. Os alimentos devem estar selados antes de serem colocados no frigorífico.
- As prateleiras de vidro podem ser ajustadas para cima ou para baixo para rentabilizar o espaço de armazenamento e facilitar o acesso.

Nota: Utilização de prateleira de vidro:

Para a prateleira de vidro, coloque de lado a estrutura para retirar cerca de 50mm primeiro, o lado direito levanta cerca de 30 graus, e retire novamente para fora do frigorífico.

3.2 Funções



(A imagem acima serve apenas de referência. A configuração efetiva dependerá do produto físico ou da declaração do distribuidor)

1) Botão de acionamento

A. Botão de configuração da temperatura

B. Botão Standby

2) Ícones de temperatura

① Configuração 1: a temperatura de regulação é 8°C

② Configuração 2: a temperatura de regulação é 6°C

③ Configuração 3: a temperatura de regulação é 4°C

④ Configuração 4: a temperatura de regulação é 3°C

⑤ Configuração 5: a temperatura de regulação é 2°C

⑥ Configuração 6: Super frio

3) Quando o refrigerador está ligado à corrente:

Todos os ícones de temperatura brilham dentro de 3s após ligar; na primeira vez, a temperatura predefinida é de 4°C.

Depois disso, cada vez que ligar o refrigerador, este funcionará de acordo com a temperatura definida antes de ser desligado pela última vez.

Visor de funcionamento normal

Caso ocorra uma falha, os ícones correspondentes piscarão simultaneamente: os códigos e tipos de erro são mostrados como se segue:

Frigorífico:


| Código de erro | Descrição de erro | Visor |
|----------------|--|--|
| E1 | Falha no sensor de temperatura da câmara frigorífica | Ícone ⁴⁴ SUPER ^{COOL} e Ícone "2" iluminam-se ao mesmo tempo |
| E5 | Falha no sensor de descongelação da câmara frigorífica | Ícone ⁴⁴ SUPER ^{COOL} e Ícone "3" iluminam-se ao mesmo tempo |
| E6 | Erro de comunicação | Ícone "2" e Ícone "4" iluminam-se ao mesmo tempo |
| E7 | Falha no sensor de temperatura ambiente | Ícone ⁴⁴ SUPER ^{COOL} e Ícone "4" iluminam-se ao mesmo tempo |

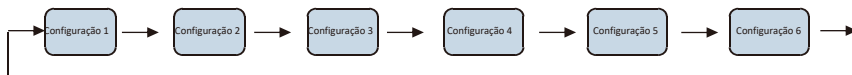
Se não houver falha, o ecrã mostra a temperatura definida para a câmara frigorífica.

Função Standby


Prima durante 10 segundos o botão standby  para definir a função standby.

Configuração da temperatura

A configuração da temperatura será alterada uma vez premido o botão (). Depois, o frigorífico funcionará de acordo com o novo ajuste de temperatura após 15s.



Modo super frio

Introduzir: em modo frigorífico, pressione o botão () até o ícone ^{SUPER}COOL se iluminar. Durante o modo Super frio, o frigorífico funciona de acordo com as temperaturas definidas a 2°C, e sairá automaticamente deste modo depois de funcionar durante 360 minutos ou de definir a temperatura ou o modo.

4. Manutenção e cuidados com o aparelho

4.1 Limpeza geral

- As poeiras atrás do frigorífico e no chão devem ser limpas atempadamente para melhorar o efeito de refrigeração e de poupança de energia.
- Verifique regularmente a junta da porta para ter a certeza de que não há detritos. Limpe a junta da porta com um pano macio humedecido com água e sabão ou detergente diluído.
- O interior do frigorífico deve ser limpo regularmente para evitar maus odores.
- Desligue a corrente antes de limpar o interior, retire todos os alimentos, bebidas, prateleiras, gavetas, etc. Utilize um pano ou esponja macia para limpar o interior do frigorífico, com duas colheres de sopa de bicarbonato de sódio e um litro de água morna. Em seguida, passe por água para remover e seque com um pano. Após a limpeza, abra a porta e deixe-o secar naturalmente antes de ligar à corrente.
- Para áreas que são difíceis de limpar dentro do frigorífico (como lugares estreitos, fendas ou cantos), recomendamos que as limpe regularmente com um pano macio, escova macia, etc. e, quando necessário, juntamente com algumas ferramentas auxiliares (como paus finos) para garantir que não haja contaminação ou acumulação de bactérias nestas áreas.
- Não utilize sabão, detergente, pó para esfregar, detergente em spray, etc., uma vez que estes podem deixar odores no interior do frigorífico ou contaminar alimentos.
- Limpe a estrutura de garrafas, restantes prateleiras e gavetas com um pano macio humedecido com água e sabão ou detergente diluído. Seque com um pano macio ou deixe secar naturalmente.
- Limpe a superfície exterior do frigorífico com um pano macio humedecido com água e sabão, detergente, etc., e depois seque com um pano.
- Não utilize escovas com cerdas duras, palha de aço, escovas de arame, abrasivos (tais como pasta de dentes), solventes orgânicos (como, por ex., álcool, acetona, óleo de banana, etc.), água a ferver, ácido ou itens alcalinos para limpeza do frigorífico que podem danificar o interior ou superfície do frigorífico. Água a ferver e solventes orgânicos como o benzeno podem deformar ou danificar as peças de plástico.
- Não limpe diretamente com água ou outros líquidos durante a limpeza para evitar que haja curtos circuitos ou que afete o isolamento elétrico após a imersão.




 Desligue o frigorífico para descongelação e limpeza.

4.2 Descongelação

- O frigorífico foi fabricado com base no princípio de refrigeração de ar e, por conseguinte, possui uma função de descongelação automática. O gelo formado devido à mudança de estação ou temperatura pode ser removido manualmente desligando o aparelho da alimentação ou limpando o mesmo com recurso a uma toalha seca.

4.3 Fora de serviço

- Falha de alimentação elétrica: No caso de uma falha de alimentação elétrica, mesmo no verão, os alimentos no interior do aparelho podem ser conservados durante várias horas; durante uma falha da alimentação elétrica o número de vezes em que a porta é aberta deve ser reduzido e não devem ser colocados mais alimentos frescos no interior do aparelho.
- Período longo de inatividade: O aparelho deve ser desligado e limpo; de seguida as portas devem ser deixadas abertas para prevenir a formação de maus odores.
- Transporte: Antes de efetuar o transporte do frigorífico, remova os objetos que se encontram no interior, fixe as partições em vidro, o suporte de vegetais, a câmara de congelação, etc. com fita-cola e aperte os pés niveladores; feche as portas e fixe-as com fita-cola. Durante o transporte, o aparelho não deve ser colocado ao contrário ou horizontalmente, não deve ser abanado e a inclinação durante o transporte não deve ser superior a 45°.

 O aparelho deve estar continuamente em funcionamento após o arranque. Regra geral, a operação do aparelho não deve ser interrompida, caso contrário a vida útil do aparelho pode ser reduzida

5 Resolução de problemas

Pode tentar resolver os problemas simples que se seguem. Se não lhe for possível resolver os problemas, contacte o departamento de pós-venda.

| | |
|--|---|
| A operação falhou | Verifique se o aparelho está ligado à alimentação ou se o contacto da ficha é o correto Verifique se a tensão não é demasiado baixa Verifique se ocorreu uma falha da alimentação elétrica ou se ocorreu o disparo parcial de alguns circuitos |
| Odor | Os alimentos com odores fortes devem ser cuidadosamente embalados Verifique se existem alimentos estragados Limpe o interior do frigorífico |
| Tempo de operação prolongado do compressor | Um tempo de operação prolongado do frigorífico é normal no verão quando a temperatura ambiente é elevada Sugerimos que não coloque demasiados alimentos ao mesmo tempo no aparelho. Deve deixar os alimentos arrefecer antes de colocá-los no aparelho As portas são abertas com demasiada frequência |
| A luz não acende | Verifique se o frigorífico está ligado à alimentação e se a lâmpada está danificada. A lâmpada deve ser substituída por uma pessoa qualificada |
| Não é possível fechar corretamente as portas | A porta fica presa devido a alimentos Foram colocados demasiados alimentos no frigorífico O frigorífico está inclinado |
| Ruído intenso | Verifique se o chão está nivelado e se o frigorífico está posicionado de forma estável. Verifique se os acessórios estão colocados nos locais apropriados |
| O vedante da porta não veda | Remova quaisquer corpos estranhos do vedante da porta Aqueça o vedante da porta e deixe-o arrefecer para restaurar o mesmo (ou utilize um secador elétrico ou uma toalha quente como meio de aquecimento) |
| O coletor de água transborda | Existem demasiados alimentos na câmara ou os alimentos armazenados contêm demasiada água, o que resulta numa descongelação intensa As portas não fecham corretamente, o que resulta no descongelamento devido à entrada de ar e num aumento de água devido ao descongelamento |
| Alojamento quente | A dissipação de calor do condensador integrado através do alojamento é normal. Quando o alojamento fica demasiado quente devido a elevadas temperaturas ambiente, ao armazenamento de demasiados alimentos ou ao corte do compressor, deve fornecer uma ventilação adequada para facilitar a dissipação de calor |
| Condensação na superfície | A condensação na superfície exterior e nos vedantes da porta do frigorífico é normal quando a humidade ambiente é demasiado elevada. Basta limpar a condensação com uma toalha limpa. |
| Ruído anómalo | Zumbido: O compressor pode produzir zumbidos durante o funcionamento e os zumbidos são particularmente audíveis durante o arranque ou paragem. Isto é normal. Ranger: O refrigerante que flui no interior do aparelho pode produzir rangidos, sendo que isto é normal. |

Tabela 1: Classes climáticas

| Classe | Símbolo | Intervalo da temperatura ambiente °C |
|-------------------------|-----------|--------------------------------------|
| Ameno prolongado | SN | + 10 a + 32 |
| Ameno | N | + 16 a + 32 |
| Subtropical | ST | + 16 a + 38 |
| Tropical | T | + 16 a + 43 |

Temperado prolongado: "este aparelho de refrigeração destina-se a ser utilizado a temperaturas ambiente que variam de 10 °C a 32 °C";

Temperado: "este aparelho de refrigeração destina-se a ser utilizado a temperaturas ambiente que variam de 16 °C a 32 °C";

Subtropical: "este aparelho de refrigeração destina-se a ser utilizado a temperaturas ambiente que variam de 16 °C a 38 °C";

Tropical: "este aparelho de refrigeração destina-se a ser utilizado a temperaturas ambiente que variam de 16 °C a 43 °C";

Especial para a nova norma europeia:

As peças encomendadas na tabela seguinte podem ser adquiridas através do canal _:

| Peça encomendada | Fornecido por | Tempo mínimo necessário para fornecimento |
|-----------------------------|---|---|
| termóstatos | Pessoal de manutenção profissional | Pelo menos 7 anos após o último modelo ter sido lançado no mercado |
| sensores de temperatura | Pessoal de manutenção profissional | Pelo menos 7 anos após o último modelo ter sido lançado no mercado |
| placas de circuito impresso | Pessoal de manutenção profissional | Pelo menos 7 anos após o último modelo ter sido lançado no mercado |
| fontes de luz | Pessoal de manutenção profissional | Pelo menos 7 anos após o último modelo ter sido lançado no mercado |
| puxadores da porta | Reparadores profissionais e utilizadores finais | Pelo menos 7 anos após o último modelo ter sido lançado no mercado |
| dobradiças das portas | Reparadores profissionais e utilizadores finais | Pelo menos 7 anos após o último modelo ter sido lançado no mercado |
| tabuleiros | Reparadores profissionais e utilizadores finais | Pelo menos 7 anos após o último modelo ter sido lançado no mercado |
| bandejas | Reparadores profissionais e utilizadores finais | Pelo menos 7 anos após o último modelo ter sido lançado no mercado |
| juntas das portas | Reparadores profissionais e utilizadores finais | Pelo menos 10 anos após o último modelo ter sido lançado no mercado |

Caro cliente,

1. Se desejar devolver ou substituir o produto, contacte a loja onde realizou a compra. (Lembre-se de trazer a fatura de compra)

2. Se o seu produto se avariar e precisar de reparação, contacte o fornecedor do serviço pós-venda.

Telefone:

Endereço de e-mail:

CONTENIDO

| | | |
|-----|--|---------|
| 1 | Advertencias de seguridad | |
| 1.1 | Advertencia | 1-2 |
| 1.2 | Significados de los símbolos de advertencia de seguridad | 3 |
| 1.3 | Advertencias relacionadas con la electricidad | 3 |
| 1.4 | Advertencias de uso | 4 |
| 1.5 | Advertencias de colocación | 4-5 |
| 1.6 | Advertencias sobre la energía | 5 |
| 1.7 | Advertencias para la eliminación | 5 |
| 2 | Uso correcto del frigorífico | |
| 2.1 | Colocación | 6 |
| 2.2 | Instalación de la manilla de la puerta | 7 |
| 2.3 | Patas niveladoras | 8 |
| 2.4 | Cambio de puerta derecha-izquierda | 9 - 10 |
| 2.5 | Arranque | 11 |
| 2.6 | Consejos de ahorro de energía | 11 |
| 3 | Estructura y funciones | |
| 3.1 | Componentes clave | 12 |
| 3.2 | Funciones | 13 - 14 |
| 4 | Mantenimiento y cuidado del frigorífico | |
| 4.1 | Limpieza general | 15 |
| 4.2 | Descongelación | 15 |
| 4.3 | Fuera de servicio | 15 |
| 5 | Resolución de problemas | |
| 5.1 | Resolución de problemas | 16 |
| 6 | Características | |
| 6.1 | Características técnicas | 17- 18 |

1 Advertencias de seguridad

1.1 Advertencia



Advertencia: riesgo de incendio / materiales inflamables

Este electrodoméstico está diseñado para utilizarse en el hogar y aplicaciones similares, tales como áreas del personal de cocina en tiendas, oficinas y otros entornos de trabajo; casas de campo y por clientes en hoteles, moteles y otros entornos de tipo residencial; entornos de tipo «bed and breakfast»; catering y aplicaciones similares no comerciales.

Este electrodoméstico no se destina al uso por personas (incluso niños) con discapacidades físicas, sensoriales o mentales, ni con falta de experiencia o formación, a menos que exista la supervisión o la instrucción en el uso del electrodoméstico de una persona responsable de su seguridad.

Los niños deben permanecer bajo vigilancia para evitar que jueguen con el electrodoméstico.

Si el cable de alimentación está dañado, debe ser sustituido por el fabricante, su agente de servicio o personas cualificadas similares para evitar riesgos.

No almacene sustancias explosivas como latas de aerosol con un propulsor inflamable en este electrodoméstico.

El electrodoméstico debe desconectarse después de su uso y antes de realizar el mantenimiento.

Advertencia: Mantenga las aberturas de ventilación, en la carcasa del electrodoméstico o en la estructura incorporada, libres de obstáculos.

Advertencia: No utilice dispositivos mecánicos u otros medios para acelerar el proceso de descongelación, distintos de los recomendados por el fabricante.

Advertencia: No dañe el circuito de refrigeración.

Advertencia: No utilice electrodomésticos eléctricos dentro de los compartimentos de almacenamiento de alimentos del electrodoméstico, a menos que sean del tipo recomendado por el fabricante.

Advertencia: Por favor, abandone el frigorífico de acuerdo con los organismos reguladores locales para el uso de gas de soplado inflamable y refrigerante.

Advertencia: Al colocar el electrodoméstico, asegúrese de que el cable de alimentación no quede atrapado o dañado.

Advertencia: No coloque varias tomas de corriente portátiles ni fuentes de alimentación portátiles en la parte posterior del electrodoméstico.

No utilice cables de extensión ni adaptadores sin conexión a tierra (de dos puntas).

Peligro: Riesgo de atrapamiento de niños. Antes de tirar su anterior frigorífico o congelador:

-Quite las puertas.

-Deje los estantes en su lugar para que los niños no se suban fácilmente al interior.

El frigorífico debe desconectarse de la fuente de alimentación eléctrica antes de intentar instalar el accesorio.

El refrigerante y el material espumoso de ciclopentano utilizados para el frigorífico son materiales inflamables. Por lo tanto, cuando se tire el electrodoméstico, deberá mantenerse alejado de cualquier fuente de fuego y ser recuperado por una empresa recuperadora especial con la calificación correspondiente que no sea la de ser eliminado por combustión, para evitar daños al medio ambiente o cualquier otro perjuicio.

Para la norma EN: Este electrodoméstico puede ser utilizado por niños a partir de los 8 años y por personas con discapacidades sensoriales o mentales o con falta de experiencia y conocimientos, siempre que hayan sido supervisados o formados en un uso seguro del electrodoméstico y comprendan los peligros que conlleva. Los niños no deben jugar con el electrodoméstico. Los niños no deben realizar la limpieza y el mantenimiento del usuario sin supervisión. Los niños de entre 3 y 8 años pueden cargar y descargar electrodomésticos frigoríficos.

La necesidad de que, en el caso de puertas o tapas con cerraduras y llaves, las llaves se mantengan fuera del alcance de los niños y no cerca del frigorífico, a fin de evitar que los niños queden encerrados en su interior.

Para evitar la contaminación de los alimentos, respeta las siguientes instrucciones:

– Dejar la puerta abierta durante mucho tiempo puede provocar un aumento significativo de la temperatura en los compartimentos del electrodoméstico.

– Limpie regularmente las superficies que puedan estar en contacto con los alimentos y los sistemas de drenaje accesibles.

– Limpie los depósitos de agua si no se han utilizado en un período de 48 h; lave el sistema de agua conectado a un suministro de agua si no se ha extraído agua durante 5 días. (Nota 1)

– Guarda la carne y el pescado crudos en recipientes adecuados en el frigorífico, para que no entren en contacto ni goteen sobre otros alimentos.

– Los congeladores con dos estrellas son adecuados para almacenar alimentos precongelados, guardar o hacer helados y hacer cubitos de hielo. (Nota 2)

– Los congeladores con una, dos o tres estrellas no son adecuados para la congelación de alimentos frescos. (Nota 3)

– Para electrodomésticos que no dispongan de un congelador con 4 estrellas: este frigorífico no es adecuado para congelar alimentos. (Nota 4)

– Si el frigorífico se deja vacío durante mucho tiempo, apáguelo, descongélelo, límpielo, séquelo y deje la puerta abierta para evitar que se forme moho dentro del mismo.

Nota 1,2,3,4 : Por favor, confirma si es aplicable según el tipo de congelador de tu producto.

Para un electrodoméstico independiente: este frigorífico no está destinado a utilizarse como electrodoméstico empotrado.

Cualquier reemplazo o mantenimiento de las luces LED debe ser realizado por el fabricante, el servicio técnico o una persona cualificada para ello. Este producto contiene una fuente de luz de clase de eficiencia energética <G>.

1.2 Significado de los símbolos de advertencia



Símbolo de prohibición

Este es un símbolo de prohibición.

Cualquier Incumplimiento de las instrucciones marcadas con este símbolo puede ocasionar daños al electrodoméstico o poner en peligro la integridad del usuario.



Símbolo de advertencia

Este es un símbolo de advertencia.

Está obligado a proceder en estricta observancia de las instrucciones marcadas con este símbolo; de lo contrario, podría causar daños al producto o a sí mismo.



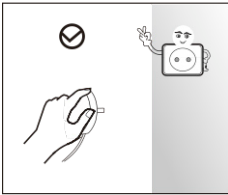
Símbolo de indicación

Este es un símbolo de precaución.

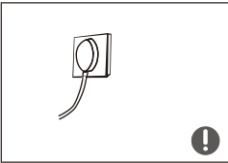
Las instrucciones marcadas con este símbolo requieren especial precaución. La falta de precaución puede ocasionar lesiones leves o moderadas, o daños al producto.

Este manual contiene muchas informaciones de seguridad importantes que deben ser tenidas en cuenta por los usuarios.

1.3 Advertencias relacionadas con la electricidad



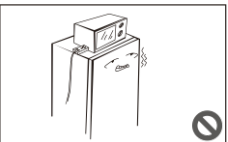
- No tire del cable de alimentación para desconectar el enchufe del frigorífico. Sujete firmemente el enchufe y desenchúfelo directamente de la toma de corriente.
- Para garantizar un uso seguro, no dañe el cable de alimentación ni utilice el cable de alimentación cuando esté dañado o desgastado.



- Por favor, utilice una toma de corriente específica y no la comparta con otros electrodomésticos eléctricos.
- El enchufe debe estar firmemente en contacto con la toma de corriente o, de lo contrario, podrían producirse incendios. Asegúrese de que el electrodo de conexión a tierra de la toma de corriente está equipado con una línea de conexión a tierra fiable.

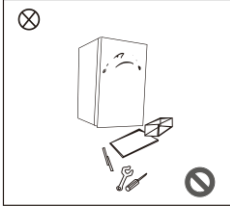


- En caso de fuga de gas y otros gases inflamables, por favor, cierre la válvula de gas y después abra las puertas y ventanas.
- No desenchufe el frigorífico y otros electrodomésticos eléctricos, ya que las chispas pueden provocar un incendio.

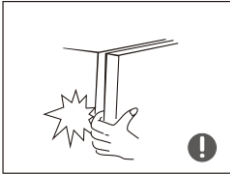


- Se recomienda no colocar electrodomésticos eléctricos como enchufes, reguladores de tensión, ollas arroceras, hornos microondas, etc. en la parte superior del frigorífico.

1.4 Advertencias de uso



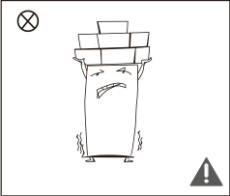
- No desmonte ni reconstruya arbitrariamente el frigorífico, ni dañe el circuito de refrigeración; el mantenimiento del electrodoméstico debe realizarse por un técnico especializado.
- El cable de alimentación dañado debe ser reemplazado por el fabricante, su departamento de mantenimiento o profesionales relacionados para evitar peligros.



- Los espacios entre las puertas de la nevera y entre las puertas y el cuerpo de la nevera son pequeños, procure no colocar la mano en estas zonas para evitar pillarse el dedo. Por favor, tenga cuidado al cerrar o abrir la puerta del frigorífico para evitar que se caigan objetos.
- No recoja alimentos o recipientes con las manos mojadas en la cámara de congelación cuando el frigorífico esté en funcionamiento, especialmente recipientes de metal para evitar la congelación.

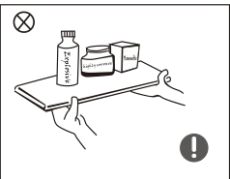


- No permita que ningún niño entre o se suba al frigorífico; de lo contrario, el niño podría asfixiarse o lesionarse por una caída.

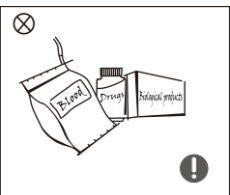


- No coloque objetos pesados en la parte superior del frigorífico, ya que pueden caerse al cerrar o abrir la puerta y provocar lesiones accidentales.
- Por favor, desconecte el enchufe en caso de corte de corriente o limpieza. No conecte el congelador a la fuente de alimentación en un plazo de cinco minutos para evitar daños en el compresor debido a arranques sucesivos.

1.5 Advertencias de colocación



- No coloque artículos inflamables, explosivos, volátiles o altamente corrosivos en el frigorífico para evitar daños al electrodoméstico o accidentes provocados por fuego.
- No coloque artículos inflamables cerca del frigorífico para evitar incendios.



- El frigorífico está destinado al uso doméstico, como el almacenamiento de alimentos; no se podrá utilizar para otros fines, como el almacenamiento de sangre, medicamentos o productos biológicos, etc.



- No almacene cerveza, bebidas u otros fluidos contenidos en botellas o recipientes cerrados en la cámara de congelación del frigorífico; de lo contrario, las botellas o recipientes cerrados pueden agrietarse debido a la congelación y provocar daños.

1.6 Advertencias sobre la energía

Advertencia para la energía

- 1) Es posible que los frigoríficos no se mantengan constantes (posibilidad de descongelar el contenido o de que la temperatura se caliente demasiado en el congelador) cuando estén situados durante un largo período de tiempo por debajo del rango de temperaturas para el que está diseñado el frigorífico.
- 2) Las bebidas efervescentes no deben almacenarse en los compartimentos del congelador destinados a la comida ni en zonas de baja temperatura. Algunos productos como los cubitos de hielo no deben consumirse demasiado fríos;
- 3) La necesidad de no exceder el(los) tiempo(s) de almacenamiento recomendado(s) por los fabricantes de alimentos para cualquier tipo de alimento y particularmente para alimentos ultracongelados en compartimentos o recipientes de almacenamiento de alimentos congelados y congelados;
- 4) Las precauciones necesarias para evitar un aumento indebido de la temperatura de los alimentos congelados mientras se descongela el frigorífico, como por ejemplo, envolver los alimentos congelados en varias capas de papel de periódico.
- 5) Un aumento de la temperatura de los alimentos congelados durante el descongelamiento manual, el mantenimiento o la limpieza podrían acortar la vida útil de almacenamiento.

1.7 Advertencias para desechar



El refrigerante y el material espumoso de ciclopentano utilizados para el frigorífico son inflamables. Por lo tanto, cuando se tire el frigorífico deberá mantenerse alejado de cualquier fuente de fuego y ser reciclado por una empresa de reciclado especial con la cualificación correspondiente, distinta a la de eliminación por combustión, con el fin de evitar daños al medio ambiente o cualquier otro perjuicio.



Cuando se deseche el frigorífico, desmonte las puertas y retire la junta de la puerta y los estantes; coloque las puertas y los estantes en un lugar adecuado para evitar que los niños puedan atraparse los dedos.

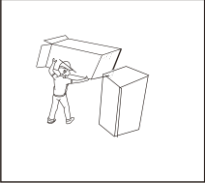


Correcto desecho del producto:

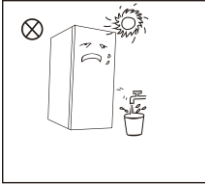
Esta marca indica que este producto no debe tirarse junto con otros residuos domésticos. Para evitar posibles daños al medio ambiente o a la salud humana como consecuencia de la eliminación incontrolada de residuos, es necesario reciclarlos de forma responsable para promover la reutilización sostenible de los recursos materiales. Para devolver el electrodoméstico usado, utilice los sistemas de devolución y recogida o póngase en contacto con el distribuidor donde compró el electrodoméstico. Pueden llevar este producto para un reciclaje seguro para el medio ambiente.

2 Uso correcto de los frigoríficos

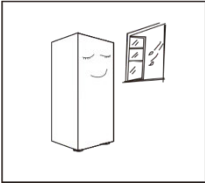
2.1 Colocación



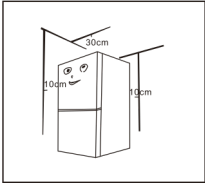
- Antes de utilizarlo, retire todos los materiales de embalaje, incluidos los cojines inferiores, las almohadillas de espuma y las cintas del interior del frigorífico; arranque la película protectora de las puertas y del cuerpo de la nevera.



- Manténgalo alejado del calor y evite la luz solar directa. No coloque el frigorífico en lugares húmedos o con agua para evitar que se oxide o se reduzca el efecto aislante.
- No rocíe ni laves el frigorífico; no pongas el frigorífico en lugares húmedos y fáciles de salpicar con agua para no afectar a las propiedades de aislamiento eléctrico del frigorífico.



- El frigorífico se coloca en un lugar interior bien ventilado; el suelo debe ser plano y firme (gire a la izquierda o a la derecha para ajustar la rueda y nivelarla si es inestable).




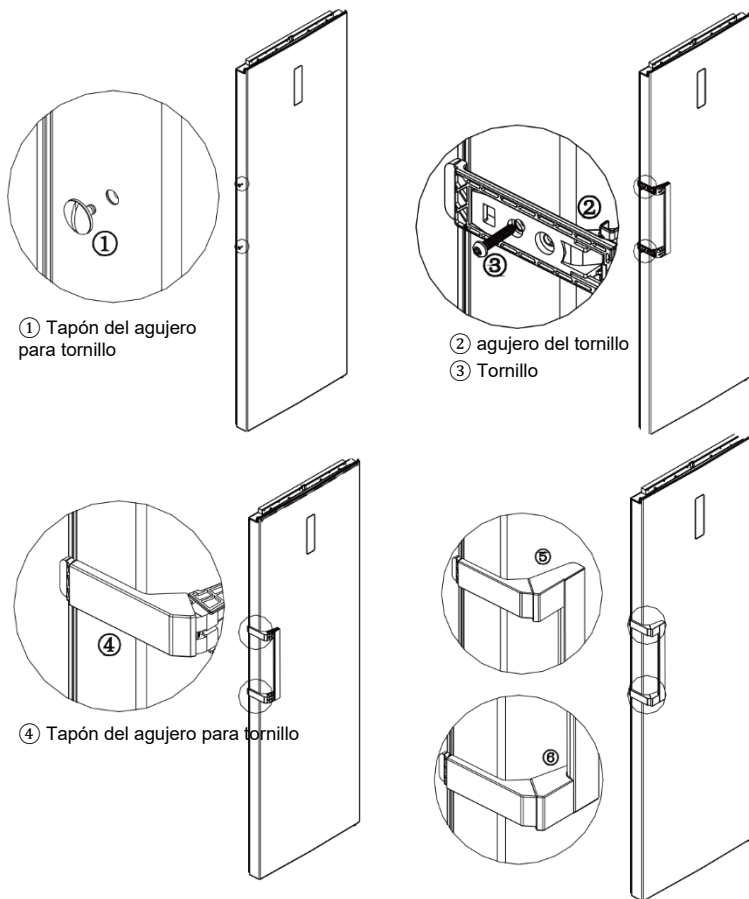
- El espacio superior del frigorífico deberá ser superior a 30 cm, y el frigorífico deberá colocarse contra una pared con una distancia libre superior a 10 cm para facilitar la disipación del calor.

- !** Precauciones antes de la instalación:
Antes de instalar o ajustar los accesorios, deberá asegurarse de que el frigorífico esté desconectado de la red eléctrica.
Se tomarán precauciones para evitar que la caída del asa cause lesiones personales.

2.2 Instalación de la manilla de la puerta

Se tomarán precauciones para evitar que la caída del asa cause lesiones personales.

| | |
|---|------------------------|
| Lista de herramientas a proporcionar por el usuario | |
|  | Destornillador en cruz |



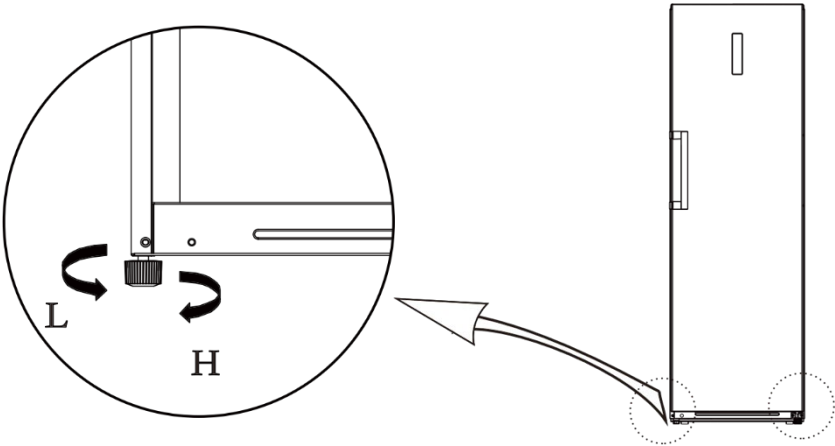
(La figura de arriba solo sirve de referencia. La configuración real dependerá del producto físico o de la recomendación del distribuidor)

Pasos para el montaje

- Retira los tapones de los agujeros ① de la puerta, y utilice un destornillador en cruz para fijar con fuerza los tornillos ③ en los agujeros ②.
- Monta el tapón del agujero del tornillo ④ en el agujero del tornillo del mango.
- Haga lo contrario para desmontarlo.

2.3 Patas niveladoras

Esquema de las patas niveladoras







(La imagen de arriba es sólo de referencia. La configuración real dependerá del producto físico o de la recomendación del distribuidor)

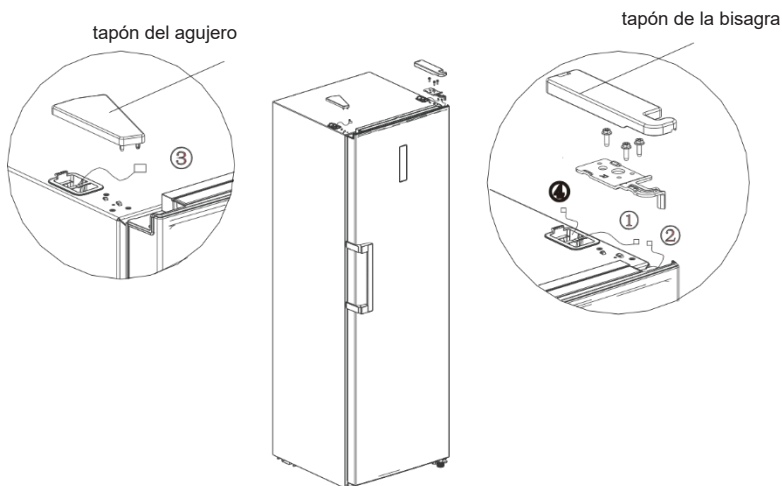
Procedimientos de ajuste:

- a. Gire las patas en el sentido de las agujas del reloj para levantar el frigorífico;
- b. Gire las patas en sentido contrario a las agujas del reloj para bajar el frigorífico;
- c. Ajuste los pies derecho e izquierdo según los procedimientos anteriores a un nivel horizontal.

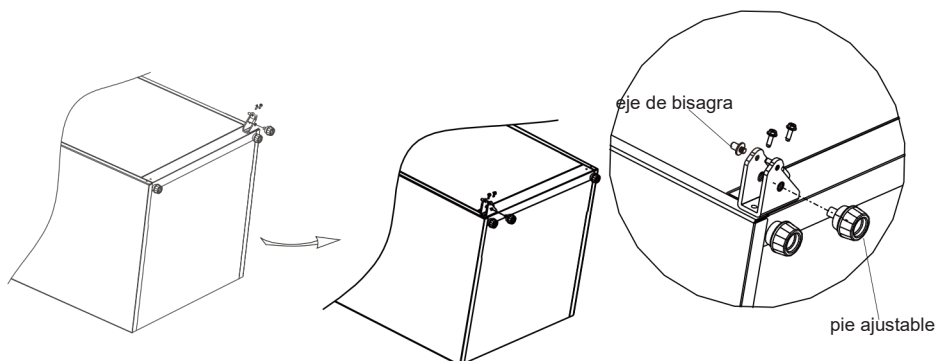
2.4 Cambio de puerta derecha-izquierda

| Lista de herramientas a proporcionar por el usuario | | | |
|--|---|---|---|
|  | Destornillador en cruz |  | Destornillador con cuchilla fina para masilla |
|  | Toma de corriente de 5/16" y llave de carraca |  | Cinta adhesiva |

- 1) Apague el frigorífico y retire todos los objetos de las bandejas de la puerta.
- 2) Desmonte los tapones de los agujeros, los tornillos y el asa, y retire los tapones de plástico de los agujeros del otro lado. Véase capítulo 2.2
- 3) Desmonte la tapa de la bisagra superior, los tornillos y la bisagra superior, y retire la tapa del agujero del otro lado. Desenchufe el cable del lado derecho de la parte superior del frigorífico (①, ② cable de conexión).

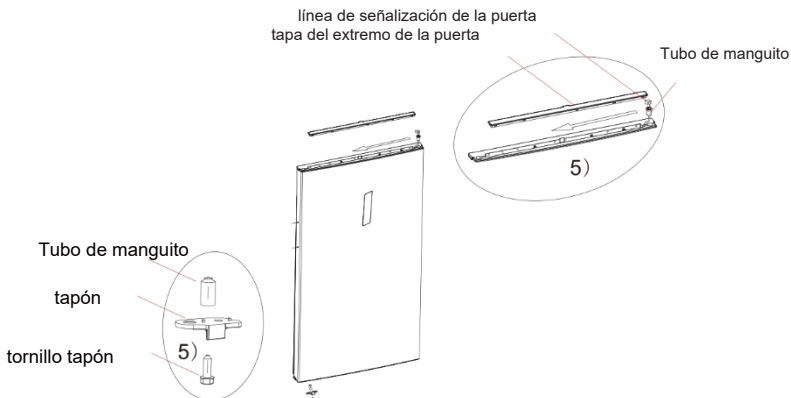


- 4) Desmonte el conjunto de la puerta y la bisagra inferior derecha (eje de la bisagra y pie ajustable y bisagra), y monte el eje de la bisagra y el pie ajustable en el otro lado de la bisagra, luego monte todo el conjunto de la bisagra en el otro lado del frigorífico.

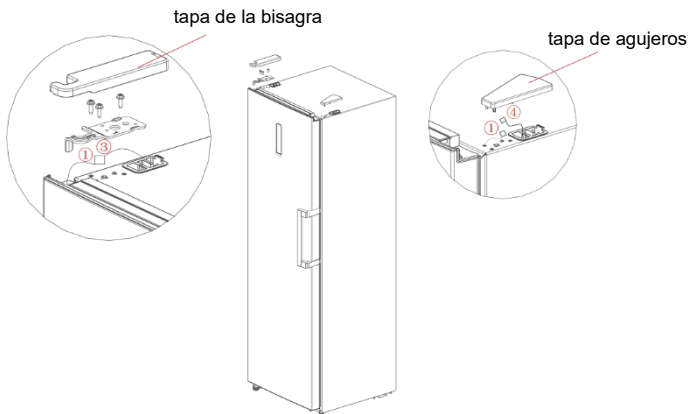


5) Retire la tapa del extremo de la puerta, instale el manguito de la bisagra superior y la línea de señalización de la puerta en el otro lado e instale la tapa del extremo de la puerta.

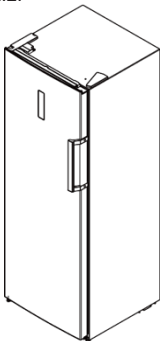
Desmonte el tope de la puerta, el tubo del manguito de la parte inferior derecha de la puerta, inserte el tubo del manguito en el agujero de la bisagra de la parte inferior izquierda de la puerta, monte el tope de la puerta en la parte inferior izquierda de la puerta.



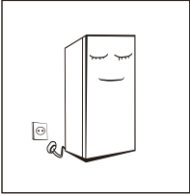
6) Saque del paquete de accesorios la bisagra superior izquierda y la tapa de la bisagra superior izquierda, coloque la puerta en la bisagra inferior y monte la bisagra superior izquierda. Conecte el terminal de la línea de señal (3) con el terminal de la línea de señal (2), conecte el terminal de la línea de señal (1) con el terminal de la línea izquierda de señal (4), monte la tapa de la bisagra superior y la tapa del agujero.



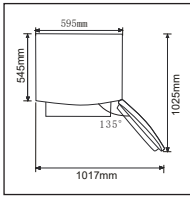
7) Para el montaje del asa, véase el capítulo 2.2.



2.5 Arranque



- Antes de la primera puesta en marcha, mantenga el frigorífico apagado durante dos horas antes de conectarlo a la red eléctrica.
- Antes de poner cualquier alimento fresco o congelado, el frigorífico deberá haber estado en funcionamiento de 2-3 horas, o más de 4 horas en verano cuando la temperatura ambiente es alta.



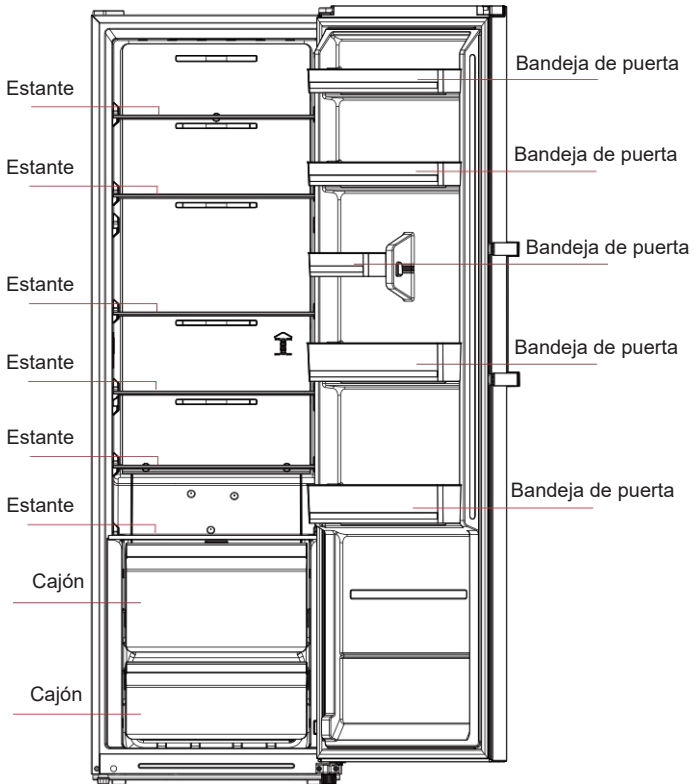
- Deje el espacio suficiente para que las puertas y los cajones se puedan abrir cómodamente, de lo contrario estaría faltando a la recomendación del distribuidor.

2.6 Consejos para ahorrar energía

- El electrodoméstico debe ubicarse en el área más fresca de la habitación, lejos de electrodomésticos o conductos de calefacción que emitan calor y fuera de la luz solar directa.
- Deje que los alimentos calientes se enfrien a temperatura ambiente antes de colocarlos en el electrodoméstico. La sobrecarga del electrodoméstico obliga al compresor a funcionar durante más tiempo. Los alimentos que se congelan demasiado lentamente pueden perder calidad o estropearse.
- Asegúrese de envolver los alimentos adecuadamente y limpie los recipientes antes de colocarlos en el electrodoméstico. Esto reduce la acumulación de escarcha en el interior del electrodoméstico.
- La bandeja de almacenamiento de electrodomésticos no debe estar forrada con papel de aluminio, papel encerado o toallas de papel. Los revestimientos interfieren con la circulación del aire frío, haciendo que el electrodoméstico sea menos eficiente.
- Organice y etiquete los alimentos para reducir las aberturas de las puertas y las búsquedas prolongadas. Retire todos los artículos que necesite a la vez y cierre la puerta lo antes posible.

3 Estructura y funciones

3.1 Componentes clave



(La imagen de arriba es sólo de referencia. La configuración real dependerá del producto físico o de la recomendación del distribuidor)

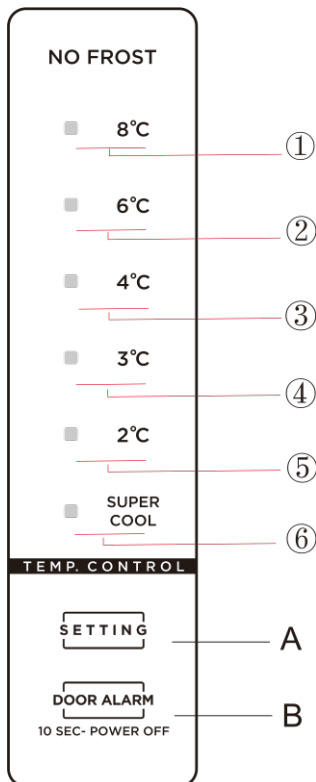
Cámara frigorífica

- La cámara frigorífica es adecuada para el almacenamiento de una variedad de frutas, verduras, bebidas y otros alimentos consumidos a corto plazo, y se recomiendan almacenarlas solo entre 3 y 5 días.
- Los alimentos para cocinar no se colocarán en la cámara frigorífica hasta que se enfríen a temperatura ambiente. Se recomienda sellar los alimentos antes de ponerlos en el refrigerador.
- Los estantes de cristal se pueden ajustar hacia arriba o hacia abajo para crear un espacio razonable de almacenamiento y facilitar su uso.

Nota: Uso del estante de vidrio para agua:

El estante de vidrio dispone de un lado para sacar unos 50 mm primero, el lado derecho alcanza unos 30 grados, sacar de nuevo del refrigerador.

3.2 Funciones



(La imagen de arriba es sólo de referencia. La configuración real dependerá del producto físico o de la recomendación del distribuidor)

1) Teclas

- A. Botón de nivel de temperatura
- B. Botón de *standby*

2) Indicadores de temperatura

- ① Nivel 1: la temperatura de ajuste es de 8°C
- ② Nivel 2: la temperatura de ajuste es de 6°C
- ③ Nivel 3: la temperatura de ajuste es de 4°C
- ④ Nivel 4: la temperatura de ajuste es de 3°C
- ⑤ Nivel 5: la temperatura de ajuste es de 2°C
- ⑥ Nivel 6: Súper frío

3) Cuando el frigorífico está encendido:

Todos los indicadores de temperatura se iluminan en los 3 segundos siguientes al encendido, si se enciende por primera vez, la temperatura por defecto es de 4°C.

Después, cada vez que pongas en marcha el frigorífico, funcionará a la temperatura establecida antes del último apagado.

Comprobar el normal funcionamiento

En caso de producirse un fallo, los símbolos correspondientes emitirán un parpadeo combinado : los códigos y tipos de error se muestran de la siguiente manera:

Frigorífico:

| Código de error: | Descripción del error | Pantalla |
|------------------|--|--|
| E1 | Fallo del sensor de temperatura de la cámara frigorífica | Los símbolos ⁴ COOL y "2" se encienden a la vez |
| E5 | Falla el sensor de descongelación de la cámara frigorífica | Los símbolos ⁴ COOL y "3" se encienden a la vez |
| E6 | Error de comunicación | Los símbolos "2" y "4" se encienden a la vez |
| E7 | Fallo del sensor de temperatura | Los símbolos ⁴ COOL y "4" se encienden a la vez |

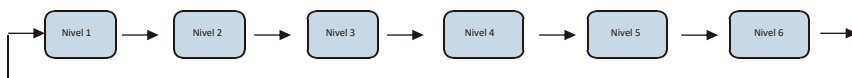
Si no hay ningún fallo, la pantalla muestra la temperatura de ajuste de la cámara del frigorífico.

Función de *standby*

Pulse prolongadamente el botón de *standby* durante 10 segundos para activar la función de *standby*.

Ajustar la temperatura

La temperatura cambiará cuando pulse el botón (^{SETTING}), Entonces, el frigorífico funcionará según el nuevo ajuste de temperatura después de 15s.



Modo súper frío

Introducir: en el modo frigorífico, pulsa el botón (^{SETTING}) hasta que se encienda el símbolo ^{SUPER}COOL. Con el modo súper frío, el frigorífico funciona ajustado a 2°C, y saldrá de este modo automáticamente después de 360 minutos funcionando o si se cambia el nivel o el modo de la temperatura.

4. Mantenimiento y cuidado del electrodoméstico

4.1 Limpieza general

- El polvo detrás del frigorífico y en el suelo debe limpiarse oportunamente para mejorar el efecto de enfriamiento y el ahorro de energía.
- Compruebe regularmente la junta de la puerta para asegurarse de que no queden residuos. Limpie la junta de la puerta con un paño con agua y jabón o detergente líquido.
- El interior del frigorífico debe limpiarse periódicamente para evitar malos olores.
- Por favor, antes de limpiar el interior, desenchúfelo de la toma de corriente y retire todos los alimentos, bebidas, estantes, cajones, etc. Utilice un paño o una esponja para limpiar el interior del frigorífico, con dos cucharadas de bicarbonato de sodio y un litro de agua caliente. Después, aclare con agua y limpie con un paño. Después de la limpieza, abra la puerta y deje que se seque de forma natural antes de volver a enchufarlo.
- Para las zonas difíciles de limpiar en el frigorífico (como las partes estrechas, los huecos o las esquinas), se recomienda limpiar regularmente con un paño, un cepillo, etc. y, cuando sea necesario, combinarlo con otros artilugios (como palillos finos) para evitar que se acumulen contaminantes ni bacterias en estas zonas.
- No utilice jabón, detergente, polvos de fregar, limpiadores en spray, etc., ya que pueden dejar olores en el interior del frigorífico o contaminar los alimentos.
- Limpia el marco de la botella, los estantes y los cajones con un paño húmedo con agua con jabón o detergente líquido. Déjelo secar o séquelo con un paño.
- Limpie la superficie exterior del frigorífico con un paño con agua y jabón, detergente, etc., y luego séquelo.
- No utilices cepillos duros, bolas de acero limpias, cepillos de alambre, abrasivos (como dentífricos), disolventes orgánicos (como alcohol, acetona, aceite de plátano, etc.), agua hirviendo, elementos ácidos o alcalinos, que puedan dañar la superficie o el interior del frigorífico. El agua hirviendo o disolventes orgánicos como el benceno pueden deformar o dañar las piezas de plástico.
- Durante la limpieza, no aclare directamente con agua u otros líquidos a fin de evitar cortocircuitos o afectar al aislamiento eléctrico tras la inmersión.




 Por favor desenchufe el frigorífico para descongelarlo y limpiarlo.

4.2 Descongelación

- El frigorífico se fabrica según el principio de refrigeración por aire y, por lo tanto, cuenta con una función de descongelación automática. La escarcha que se forma por los cambios en la temperatura también puede eliminarse manualmente desconectando el electrodoméstico de la red eléctrica y limpiando con una toalla seca.

4.3 Fuera de servicio

- Corte de alimentación: En caso de corte de corriente, incluso en verano, los alimentos que se encuentren en el interior del electrodoméstico podrán conservarse durante varias horas; durante el corte de corriente, se reducirán los tiempos de apertura de la puerta y no se introducirán más alimentos frescos en el electrodoméstico.
- Sin uso durante un tiempo prolongado: El electrodoméstico debe ser desenchufado y luego limpiado; luego las puertas se dejan abiertas para evitar el mal olor.
- Traslado: Antes de mover el frigorífico, saque todos los objetos del interior, fije con cinta adhesiva los tabiques de cristal, el soporte para verduras, los cajones de la cámara de congelación, etc., y apriete las patas niveladoras; cierre las puertas y fijelas con cinta adhesiva. Durante el desplazamiento, el electrodoméstico no deberá colocarse boca abajo ni horizontalmente, ni vibrar; la inclinación durante el desplazamiento no deberá ser superior a 45°.

 El electrodoméstico deberá funcionar de forma continua una vez puesto en marcha. Por lo general, no debe interrumpirse el funcionamiento del electrodoméstico; de lo contrario, la vida útil puede verse afectada.

5 Resolución de problemas

Los siguientes problemas simples puede intentar solucionarlos usted mismo. Si no se pueden resolver, póngase en contacto con el departamento de postventa.

| | |
|---|--|
| Fallo de funcionamiento | Compruebe si el electrodoméstico está conectado a la red eléctrica o si el enchufe está en la toma de contacto. Comprobar si la tensión es demasiado baja Compruebe si hay un corte de corriente o si se han disparado los circuitos parciales. |
| Olores | Los alimentos olorosos deberán estar bien envueltos Compruebe si hay algún alimento podrido Limpie el interior del frigorífico |
| Funcionamiento prolongado del compresor | El funcionamiento prolongado del frigorífico es normal en verano cuando la temperatura ambiente es alta. No es aconsejable almacenar comida en exceso en el electrodoméstico. Los alimentos deberán enfriarse antes de introducirse en el electrodoméstico. Las puertas se abren con demasiada frecuencia |
| La luz no se enciende | Compruebe si el frigorífico está enchufado a la red eléctrica y si la luz está dañada. La luz debe ser reemplazada por un técnico especialista. |
| Las puertas no se pueden cerrar correctamente | La puerta está atascada por paquetes de comida Hay demasiada comida colocada El frigorífico está inclinado |
| Ruido fuerte | Compruebe si el suelo está nivelado y si el frigorífico está en una posición estable. Compruebe si los accesorios están colocados en el lugar adecuado |
| La junta de la puerta no es estanca | Eliminar cuerpos extraños en la junta de la puerta Caliente la junta de la puerta y luego enfríela para restaurarla (o sople con un secador eléctrico o use una toalla caliente para calentarla). |
| La cubeta de agua se desborda | Hay demasiados alimentos en la cámara o los alimentos almacenados tienen demasiada agua, lo que provoca una descongelación intensa Las puertas no se cierran correctamente, lo que provoca heladas debido a la entrada de aire y un aumento de agua debido a la descongelación. |
| Carcasa caliente | La disipación del calor del condensador incorporado a través de la carcasa, que es normal Cuando la carcasa se calienta debido a una temperatura ambiente elevada, al almacenamiento de demasiados alimentos o al apagado del compresor, se activa la ventilación para que se disipe el calor |
| Condensación en la superficie | La condensación en la superficie exterior y en los sellos de las puertas del frigorífico es normal cuando la humedad ambiental es demasiado alta. Limpie el condensado con una toalla limpia. |
| Ruido anómalo | Zumbido: El compresor puede producir zumbidos durante el funcionamiento, y los zumbidos resultan particularmente fuertes al arrancar o parar. Esto es normal. Chirrido: Es normal que el refrigerante que fluye dentro del electrodoméstico pueda emitir un chirrido. |

Tabla 1: Tipos de temperatura ambiente

| Tipo | Símbolo | Rango de temperatura °C |
|-----------------------|---------|-------------------------|
| Temperatura extendida | SN | De 10 a 32 |
| Templada | N | De 16 a 32 |
| Subtropical | ST | De 16 a 38 |
| Tropical | T | De 16 a 43 |

Temperatura ampliada: "este frigorífico está destinado a ser utilizado a temperaturas ambiente comprendidas entre 10 °C y 32 °C";

Temperatura: "este frigorífico está destinado a ser utilizado a temperaturas ambiente comprendidas entre 16 °C y 32 °C";

Subtropical: "este frigorífico está destinado a ser utilizado a temperaturas ambiente comprendidas entre 16 °C y 38 °C";

Tropical: "este frigorífico está destinado a ser utilizado a temperaturas ambiente comprendidas entre 16 °C y 43 °C";

Tipos especiales con la nueva normativa europea:

Las piezas solicitadas en la siguiente tabla se pueden adquirir en el canal _:

| Pieza solicitada | Suministrada por | Tiempo mínimo requerido para la provisión |
|-------------------------------|--|---|
| termostato | Personal de mantenimiento profesional | Al menos 7 años desde la salida al mercado del último modelo |
| sensores de temperatura | Personal de mantenimiento profesional | Al menos 7 años desde la salida al mercado del último modelo |
| cuadros de circuitos impresos | Personal de mantenimiento profesional | Al menos 7 años desde la salida al mercado del último modelo |
| fuentes de luz | Personal de mantenimiento profesional | Al menos 7 años desde la salida al mercado del último modelo |
| pernos de las puertas | Reparadores profesionales y usuarios finales | Al menos 7 años desde la salida al mercado del último modelo |
| bisagras de puertas | Reparadores profesionales y usuarios finales | Al menos 7 años desde la salida al mercado del último modelo |
| recipientes | Reparadores profesionales y usuarios finales | Al menos 7 años desde la salida al mercado del último modelo |
| cestas | Reparadores profesionales y usuarios finales | Al menos 7 años desde la salida al mercado del último modelo |
| juntas de las puertas | Reparadores profesionales y usuarios finales | Al menos 10 años desde la salida al mercado del último modelo |

Estimado cliente:

1. Si desea devolver o cambiar el producto, póngase en contacto con la tienda donde lo compró.

(Recuerde traer la factura de la compra)

2. Si su producto se estropea y necesita reparaciones, póngase en contacto con el servicio postventa.

Teléfono:

Correo electrónico:

TABLE DES MATIÈRES

| | | |
|-----|--|---------|
| 1 | Avertissements relatifs à la sécurité | |
| 1.1 | Avertissement | 1-2 |
| 1.2 | Significations des symboles d'avertissements de sécurité | 3 |
| 1.3 | Avertissements relatifs à l'électricité | 3 |
| 1.4 | Avertissements relatifs à l'utilisation | 4 |
| 1.5 | Avertissements relatifs au placement | 4-5 |
| 1.6 | Avertissements relatifs à l'énergie | 5 |
| 1.7 | Avertissements relatifs à l'élimination | 5 |
| 2 | Bonne utilisation du réfrigérateur | |
| 2.1 | Placement | 6 |
| 2.2 | Installation de la poignée de porte | 7 |
| 2.3 | Pieds de mise à niveau | 8 |
| 2.4 | Changement de porte droite-gauche | 9 - 10 |
| 2.5 | Démarrage | 11 |
| 2.6 | Conseils pour économiser de l'énergie | 11 |
| 3 | Structure et fonctions | |
| 3.1 | Composants principaux | 12 |
| 3.2 | Fonctions | 13 - 14 |
| 4 | Entretien et nettoyage du réfrigérateur | |
| 4.1 | Nettoyage général | 15 |
| 4.2 | Dégivrage | 15 |
| 4.3 | Hors service | 15 |
| 5 | Dépannage | |
| 5.1 | Dépannage | 16 |
| 6 | Paramètres | |
| 6.1 | Paramètres techniques | 17- 18 |

1 Avertissements relatifs à la sécurité

1.1 Avertissement



Avertissement : risque d'incendie / matériaux inflammables

Cet appareil est destiné à un usage domestique et pour des applications similaires telles que les cuisines du personnel dans les magasins, les bureaux et autres environnements de travail ; les fermes et par les clients dans les hôtels, les motels et autres environnements de type résidentiel ; les environnements de type chambres d'hôtes ; la restauration et les applications non commerciales similaires.

Cet appareil n'est pas destiné à être utilisé par des personnes (notamment des enfants) dont les capacités physiques, sensorielles ou mentales sont réduites, ou qui manquent d'expérience et de connaissances, à moins qu'elles n'aient bénéficié d'une surveillance ou de consignes concernant l'utilisation de celui-ci par une personne responsable de leur sécurité.

Il est nécessaire de surveiller les enfants pour s'assurer qu'ils ne jouent pas avec l'appareil.

Si le cordon d'alimentation est endommagé, il doit être remplacé par le fabricant, son agent de service ou des personnes de qualification similaire afin d'éviter tout danger.

Ne pas stocker de substances explosives telles que des bombes aérosols contenant un gaz propulseur inflammable dans cet appareil.

L'appareil doit être débranché après utilisation et avant d'effectuer des opérations d'entretien sur l'appareil.

Avertissement : Veillez à ce que les ouvertures de ventilation, dans le boîtier de l'appareil ou dans la structure intégrée, ne soient pas obstruées.

Avertissement : Ne pas utiliser de dispositifs mécaniques ou d'autres moyens pour accélérer le processus de dégivrage, autres que ceux recommandés par le fabricant.

Avertissement : Ne pas endommager le circuit de réfrigération.

Avertissement : Ne pas utiliser d'appareils électriques à l'intérieur des compartiments de stockage des aliments de l'appareil, sauf s'ils sont du type recommandé par le fabricant.

Avertissement : Veuillez vous débarrasser du réfrigérateur dans le respect des réglementations locales car il utilise un gaz de soufflage et un réfrigérant inflammables.

Avertissement : Lorsque vous positionnez l'appareil, assurez-vous que le cordon d'alimentation n'est pas coincé ou endommagé.

Avertissement : Évitez de placer plusieurs prises de courant ou alimentations portables à l'arrière de l'appareil.

Ne pas utiliser de rallonges ou d'adaptateurs à deux broches non mis à la terre.

Danger : Risque de coincement des enfants. Avant de vous débarrasser votre ancien réfrigérateur ou congélateur :

-Enlevez les portes.

-Laissez les étagères en place afin que les enfants ne puissent pas facilement grimper à l'intérieur.

Le réfrigérateur doit être débranché de la source d'alimentation électrique avant de procéder à l'installation d'un accessoire.

Le fluide frigorigène et le matériau moussant cyclopentane utilisés pour l'appareil sont inflammables. Par conséquent, lorsque l'appareil est mis au rebut, il doit être éloigné de toute source de feu et être récupéré par une entreprise de récupération spéciale ayant une qualification correspondante autre que l'élimination par combustion, pour éviter toute pollution ou tout autre préjudice.

Pour la norme EN : Cet appareil peut être utilisé par des enfants à partir de 8 ans et par des personnes ayant des capacités physiques, sensorielles ou mentales réduites ou manquant d'expérience et de connaissances, à condition qu'ils aient été formés ou aient reçu des instructions concernant l'utilisation de l'appareil en toute sécurité et qu'ils comprennent les risques encourus. Les enfants ne doivent pas jouer avec l'appareil. Les enfants ne doivent pas effectuer le nettoyage et l'entretien sans surveillance. Les enfants âgés de 3 à 8 ans sont autorisés à charger et décharger les appareils frigorifiques.

Il est impératif que, pour les portes ou les couvercles munis de serrures et de clés, les clés soient tenues hors de portée des enfants et ne se trouvent pas à proximité de l'appareil frigorifique, afin d'éviter que les enfants ne soient enfermés à l'intérieur.

Pour éviter la contamination des aliments, veuillez respecter les instructions suivantes :

– L'ouverture prolongée de la porte peut causer une augmentation significative de la température dans les compartiments de l'appareil.

– Nettoyez régulièrement les surfaces qui peuvent entrer en contact avec les aliments et les systèmes de drainage accessibles.

– Nettoyez les réservoirs d'eau s'ils n'ont pas été utilisés pendant plus de 48 heures ; rincez le système d'eau relié à une alimentation en eau s'il n'a pas fonctionné pendant 5 jours.

(Remarque 1)

– Conservez la viande et le poisson crus dans des récipients adaptés au réfrigérateur, de manière à ce qu'ils ne soient pas en contact avec d'autres aliments ou ne dégoulinent pas.

– Les compartiments pour aliments surgelés deux étoiles conviennent au stockage d'aliments pré-surgelés, au stockage ou à la préparation de crèmes glacées et à la fabrication de glaçons.

(Remarque 2)

– Les compartiments à une, deux et trois étoiles ne conviennent pas à la congélation des aliments frais. (Remarque 3)

– Pour les appareils sans compartiment 4 étoiles : cet appareil de réfrigération ne convient pas à la congélation des aliments. (Remarque 4)

– Si l'appareil de réfrigération reste vide pendant une longue période, éteignez-le, dégivrez-le, nettoyez-le, séchez-le et laissez la porte ouverte pour éviter la formation de moisissures dans l'appareil.

Remarque 1, 2, 3, 4 : Veuillez confirmer si elle est applicable selon le type de compartiment de votre produit.

Pour un appareil autoportant : cet appareil de réfrigération n'est pas destiné à être utilisé comme un appareil encastré.

Tout remplacement ou entretien des lampes DEL doit être effectué par le fabricant, son agent de service ou une personne qualifiée similaire. Ce produit contient une source lumineuse de classe d'efficacité énergétique <G>.

1.2 Signification des symboles d'avertissement de sécurité



Symbole d'interdiction

Il s'agit d'un symbole d'interdiction.

Tout non-respect des instructions accompagnées de ce symbole peut causer des dommages au produit ou mettre en danger l'utilisateur.



Symbole d'avertissement

Il s'agit d'un symbole d'avertissement.

Il doit fonctionner dans le strict respect des instructions marquées de ce symbole, afin de ne pas endommager le produit et de ne pas causer de blessures.



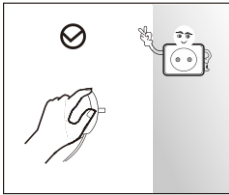
Symbole remarque

Il s'agit d'un symbole de prudence.

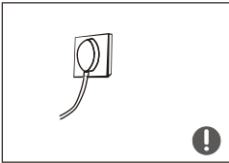
Les instructions accompagnées de ce symbole requièrent une prudence particulière ; un manque de prudence peut causer des blessures légères ou modérées, ou endommager le produit.

Ce manuel contient de nombreuses informations de sécurité importantes qui doivent être respectées par les utilisateurs.

1.3 Avertissements relatifs à l'électricité



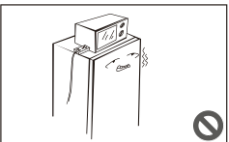
- Ne pas tirer sur le cordon d'alimentation lorsque vous débranchez le réfrigérateur. Veuillez saisir fermement la fiche et la retirer directement de la prise.
- Pour assurer une utilisation en toute sécurité, ne pas endommager le cordon d'alimentation et ne pas l'utiliser s'il est endommagé ou usé.



- Veuillez utiliser une prise de courant dédiée et la prise de courant ne doit pas être partagée avec d'autres appareils électriques.
- La fiche d'alimentation doit être fermement en contact avec la prise de courant, afin d'éviter tout risque d'incendie. Veillez à ce que l'électrode de terre de la prise de courant soit équipée d'une ligne de mise à la terre fiable.



- En cas de fuite de gaz ou d'autres gaz inflammables, veuillez fermer la vanne du gaz qui fuit, puis ouvrir les portes et les fenêtres.
- Ne pas débrancher le réfrigérateur et les autres appareils électriques, une étincelle risquant de causer un incendie.

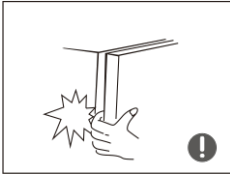


- Il est recommandé de ne pas placer d'appareils électriques tels que prise de courant, régulateur de tension, cuiseur de riz, four à micro-ondes, etc. au-dessus du réfrigérateur.

1.4 Avertissements relatifs à l'utilisation



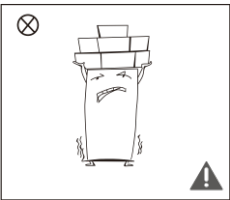
- Ne pas démonter ou remonter arbitrairement le réfrigérateur, ni n'endommager le circuit frigorifique ; l'entretien de l'appareil doit être effectué par un spécialiste
- Un cordon d'alimentation endommagé doit être remplacé par le fabricant, son service d'entretien ou les professionnels concernés pour éviter tout danger.



- Les espaces entre les portes du réfrigérateur et entre les portes et la structure du réfrigérateur sont petits, ne placez pas vos mains dans ces zones pour éviter d'écraser les doigts. Veuillez ouvrir la porte du réfrigérateur avec douceur pour éviter que des articles ne tombent.
- Ne pas prendre d'aliments ou de récipients dans la chambre de congélation si vos mains sont mouillées lorsque le réfrigérateur est en marche, en particulier les récipients métalliques, afin d'éviter les gelures.

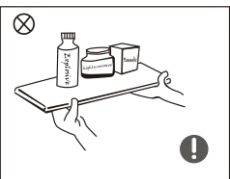


- Ne pas laisser les enfants entrer ou grimper à l'intérieur du réfrigérateur pour éviter qu'ils ne soient enfermés dans le réfrigérateur ou blessés par une chute du réfrigérateur.

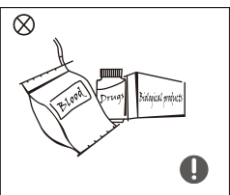


- Ne pas placer d'objets lourds au-dessus du réfrigérateur, car ils risqueraient de tomber lors de l'ouverture de la porte et causer des blessures.
- Veuillez retirer la fiche en cas de panne de courant ou de nettoyage. Ne pas raccorder le congélateur à l'alimentation électrique dans les cinq minutes qui suivent pour éviter d'endommager le compresseur en raison de démarrages successifs.

1.5 Avertissements relatifs au placement



- Ne pas mettre d'articles inflammables, explosifs, volatils et hautement corrosifs dans le réfrigérateur afin d'éviter d'endommager le produit ou de causer un incendie.
- Ne pas placer d'objets inflammables près du réfrigérateur pour éviter de causer un incendie.



- Le réfrigérateur est destiné à un usage domestique, tel que le stockage d'aliments ; il ne doit pas être utilisé à d'autres fins, telles que le stockage de sang, de médicaments ou de produits biologiques, etc.



- Ne pas stocker de bière, de boisson ou d'autres liquides contenus dans des bouteilles ou des récipients fermés dans la chambre de congélation du réfrigérateur ; sinon les bouteilles ou les récipients fermés risquent de se fissurer sous l'effet du gel et causer des dommages.

1.6 Avertissements relatifs à l'énergie

Avertissement relatif à l'énergie

- 1) Les appareils de réfrigération peuvent ne pas fonctionner de façon constante (possibilité de dégivrage du contenu ou température trop élevée dans le compartiment des aliments surgelés) lorsqu'ils sont réglés pendant une période prolongée en dessous de l'extrémité froide de la plage de température pour laquelle l'appareil de réfrigération est conçu.
- 2) Le fait que les boissons effervescentes ne doivent pas être stockées dans les compartiments ou armoires de congélation des aliments ou dans les compartiments ou armoires à basse température, et que certains produits comme les glaces à l'eau ne doivent pas être consommés trop froids ;
- 3) Ne pas dépasser les temps de conservation recommandés par les fabricants d'aliments pour tout type d'aliments et en particulier pour les aliments surgelés dans les compartiments ou armoires de stockage
- 4) Les précautions nécessaires pour éviter une augmentation excessive de la température des aliments surgelés pendant le dégivrage de l'appareil de réfrigération, par exemple en enveloppant les aliments surgelés dans plusieurs couches de papier journal.
- 5) Le fait qu'une augmentation de la température des aliments surgelés pendant le dégivrage manuel, l'entretien ou le nettoyage peut réduire la durée de conservation.

1.7 Avertissements relatifs à l'élimination



Le réfrigérant et le matériau moussant cyclopentane utilisés pour le réfrigérateur sont inflammables. Par conséquent, lorsque le réfrigérateur est mis au rebut, il doit être éloigné de toute source d'incendie et être récupéré par une entreprise de récupération spéciale ayant la qualification correspondante plutôt que d'être éliminé par combustion, pour éviter toute pollution ou tout autre préjudice.



Lorsque le réfrigérateur est mis au rebut, démontez les portes et enlevez le joint de la porte et des étagères ; placez les portes et les étagères à un endroit approprié, pour éviter que les enfants ne soient piégés.

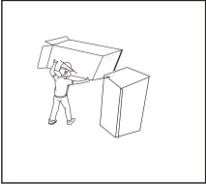


Élimination correcte de ce produit :

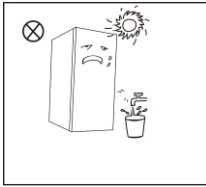
Ce symbole indique que ce produit ne doit pas être éliminé avec les autres déchets ménagers. Afin d'éviter que l'élimination incontrôlée des déchets ne porte atteinte à l'environnement ou à la santé humaine, recyclez-les de manière responsable afin de promouvoir la réutilisation durable des ressources matérielles. Pour retourner votre appareil usagé, veuillez utiliser les systèmes de retour et de collecte ou contacter le revendeur chez qui le produit a été acheté. Il peut emporter ce produit pour un recyclage respectueux de l'environnement.

2 Utilisation correcte des réfrigérateurs

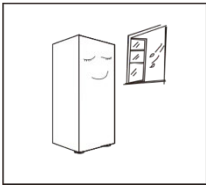
2.1 Placement



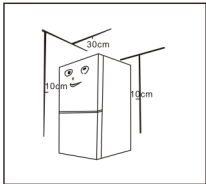
- Avant utilisation, retirez tous les matériaux d'emballage, y compris les rembourrages du fond, les rembourrages de mousse et les rubans adhésifs à l'intérieur du réfrigérateur ; retirez le film de protection sur les portes et la structure du réfrigérateur.



- Tenez à l'écart de la chaleur et de la lumière directe du soleil. Ne pas placer le réfrigérateur dans des endroits humides ou mouillés pour éviter la rouille ou la réduction de l'effet isolant.
- Ne pas asperger ou laver le réfrigérateur ; ne pas placer le réfrigérateur dans des endroits humides avec risque d'éclaboussures pour ne pas affecter les propriétés d'isolation électrique du réfrigérateur.



- Le réfrigérateur est placé dans un endroit intérieur bien ventilé ; le sol doit être plat et solide (tournez à gauche ou à droite pour régler la roue de mise à niveau et stabiliser).



- L'espace au-dessus du réfrigérateur doit être supérieur à 30 cm, et le réfrigérateur doit être placé contre un mur à une distance de plus de 10 cm pour faciliter la dissipation de la chaleur.



Précautions à prendre avant l'installation :

Avant l'installation ou le réglage des accessoires, assurez-vous que le réfrigérateur est débranché. Des précautions doivent être prises pour éviter qu'une chute de la poignée ne cause des blessures.

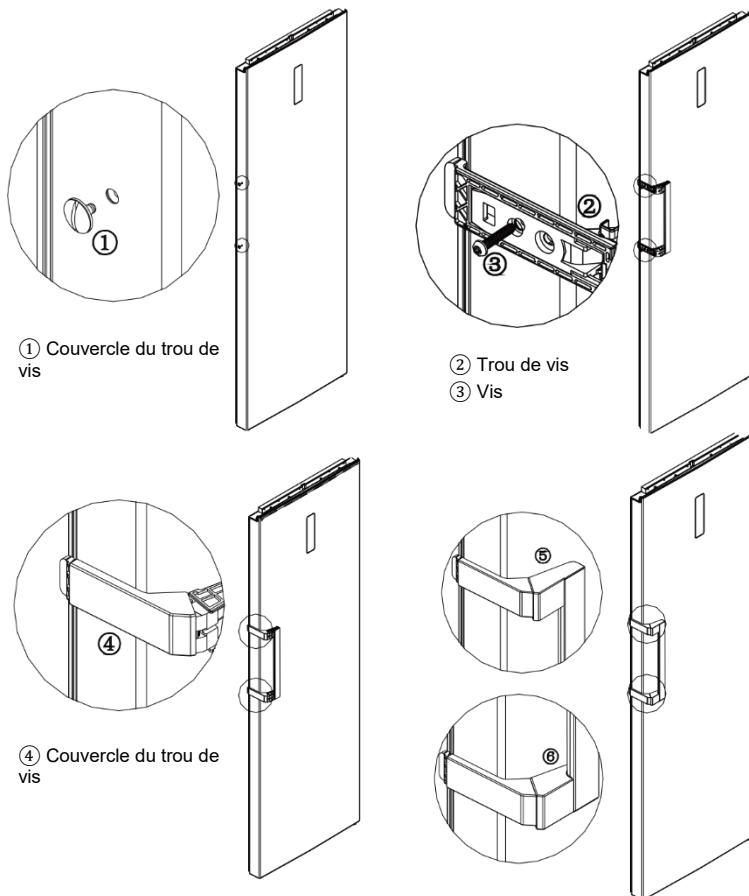
2.2 Installation de la poignée de porte

Des précautions doivent être prises pour éviter que la chute de la poignée ne cause des blessures.

Liste des outils à fournir par l'utilisateur



Tournevis cruciforme



① Couvrcle du trou de vis

② Trou de vis
③ Vis

④ Couvrcle du trou de vis

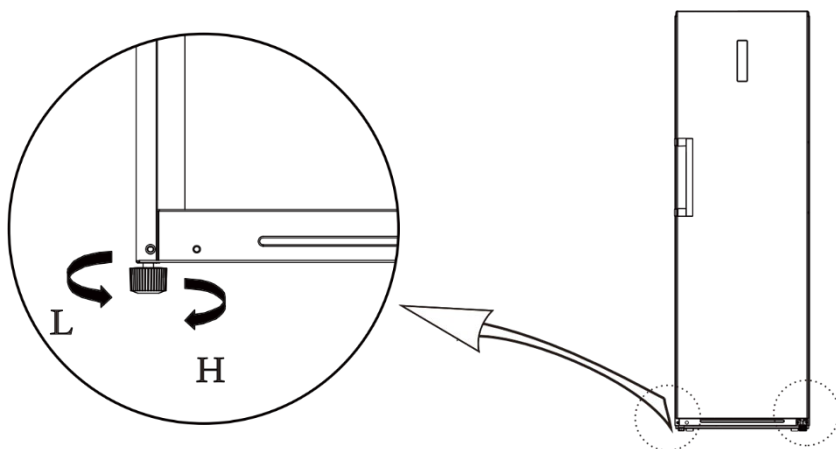
(L'image ci-dessus n'est donnée qu'à titre indicatif. La configuration réelle dépendra du produit physique ou de la constatation du distributeur)

Étapes de montage

- Retirez les bouchons des trous de vis ① de la porte, et utilisez un tournevis cruciforme pour fixer fermement les vis ③ dans le trou de vis ②.
- Montez le bouchon du trou de vis ④ sur le trou de vis de la poignée.
- L'opération inverse est pour le démontage.

2.3 Mise à niveau des pieds

Schéma de mise à niveau des pieds







(L'image ci-dessus n'est donnée qu'à titre indicatif. La configuration réelle dépendra du produit physique ou de la déclaration du distributeur).

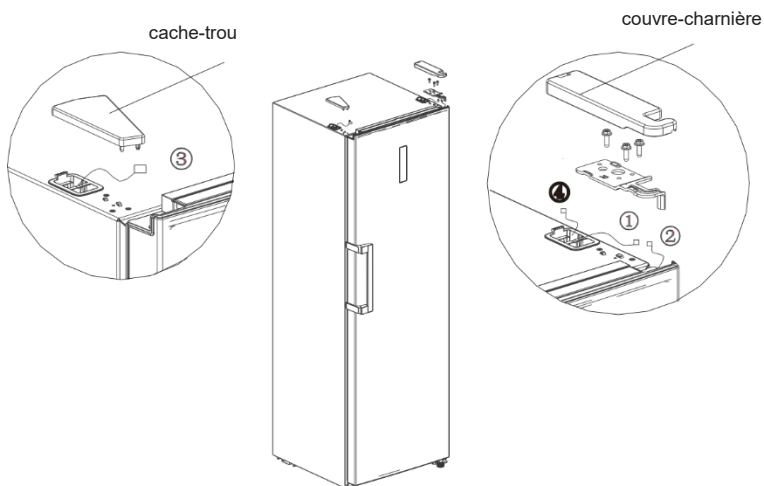
Procédures de réglage :

- Tournez les pieds dans le sens des aiguilles d'une montre pour relever le réfrigérateur ;
- Tournez les pieds dans le sens inverse des aiguilles d'une montre pour abaisser le réfrigérateur ;
- Réglez les pieds droit et gauche selon les instructions ci-dessus pour mettre à niveau horizontalement.

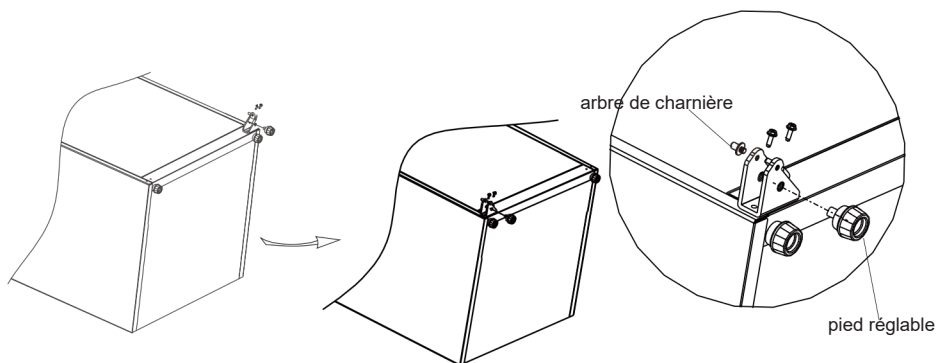
2. 4 Changement de porte droite-gauche

| Liste des outils à fournir par l'utilisateur | | | |
|--|--------------------------|---|--|
|  | Tournevis cruciforme |  | Couteau à mastic Tournevis à lame fine |
|  | Douille 5/16" et cliquet |  | Ruban de masquage |

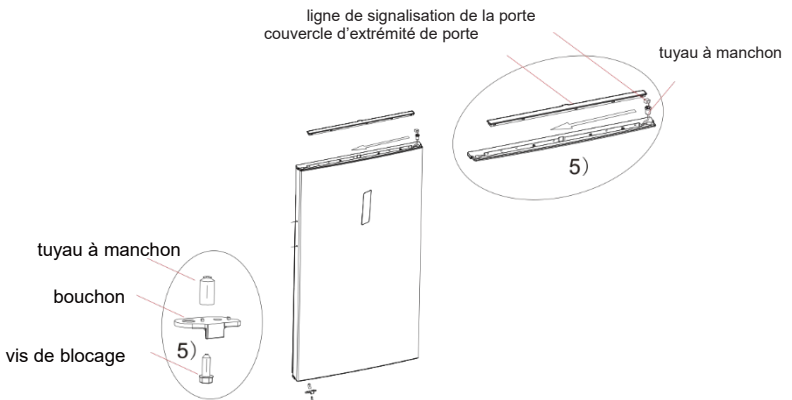
- 1) Mettez le réfrigérateur hors tension et retirez tous les objets des compartiments de la porte.
- 2) Démontez les bouchons des trous de vis, les vis et la poignée, et retirez les bouchons des trous de vis en plastique de l'autre côté. Veuillez vous reporter au chapitre 2.2.
- 3) Démontez le couvre-charnière supérieur, les vis et la charnière supérieure, et retirez le cache-trou de l'autre côté. Débranchez le connecteur de câblage sur le côté droit du haut du réfrigérateur (①, ② connecteur de câblage).



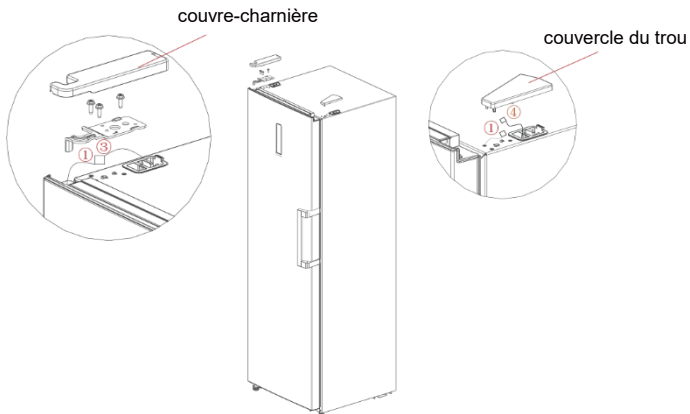
- 4) Démontez la porte et l'ensemble de la charnière inférieure droite (arbre de charnière, pied réglable et charnière), démontez l'ensemble de la charnière inférieure droite et assemblez l'arbre de charnière et le pied réglable de l'autre côté de la charnière, puis assemblez l'ensemble de la charnière de l'autre côté du réfrigérateur.



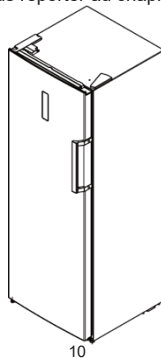
5) Retirez le couvercle de la porte, installez la douille de la charnière supérieure et la ligne de signal de la porte de l'autre côté et installez le couvercle de la porte. Démontez la butée de porte, le tube de manchon en bas à droite de la porte, insérez le tube de manchon dans le trou de charnière en bas à gauche de la porte, assemblez la butée de porte sur le bas gauche de la porte.



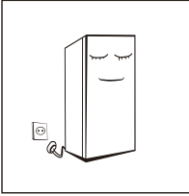
6) Sortez la charnière supérieure gauche et le couvercle de la charnière supérieure gauche de l'emballage des accessoires, placez la porte sur la charnière inférieure et montez la charnière supérieure gauche. Connectez la borne de ligne de signal (3) avec la borne de ligne de signal (2), connectez la borne de ligne de signal (1) avec la borne de ligne de signal (4), montez le couvercle de la charnière supérieure et le couvercle du trou.



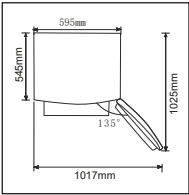
7) Pour le montage de la poignée, veuillez vous reporter au chapitre 2.2.



2.5 Mise en route



- Avant la mise en route initiale, laissez le réfrigérateur immobile pendant deux heures avant de le brancher à l'alimentation électrique.
- Avant d'y mettre des aliments frais ou surgelés, le réfrigérateur doit avoir fonctionné pendant 2 à 3 heures, ou pendant plus de 4 heures en été lorsque la température ambiante est élevée.



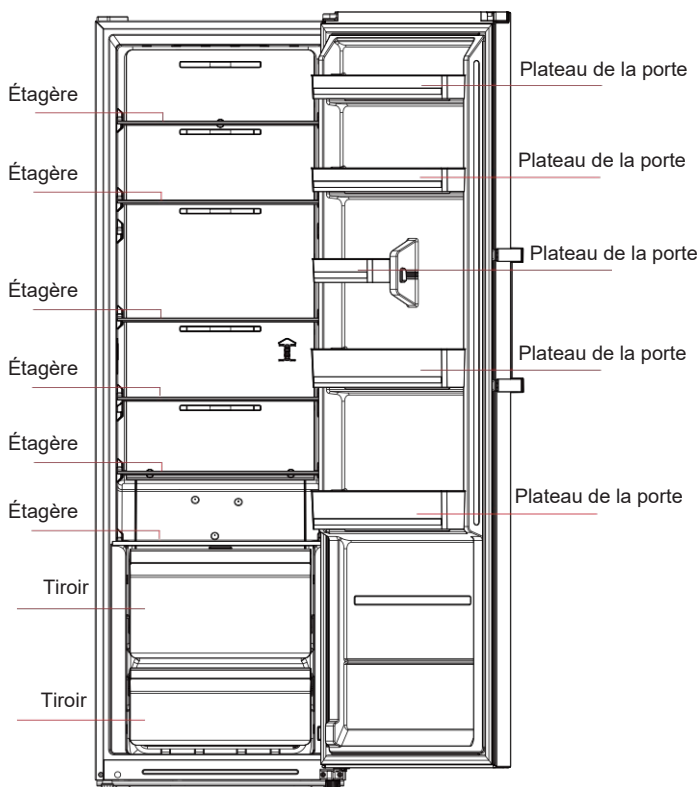
- Prévoyez suffisamment d'espace pour permettre une ouverture facile des portes et des tiroirs ou une déclaration du distributeur.

2.6 Conseils pour économiser l'énergie

- L'appareil doit être placé dans la zone la plus fraîche de la pièce, loin des appareils produisant de la chaleur ou des conduits de chauffage, et à l'abri de la lumière directe du soleil.
- Laissez les aliments chauds refroidir à température ambiante avant de les placer dans l'appareil. Toute surcharge de l'appareil oblige le compresseur à fonctionner plus longtemps. Les aliments qui se congèlent trop lentement risquent de perdre en qualité ou de se gâter.
- Veillez à couvrir correctement les aliments et essuyez les récipients avant de les placer dans l'appareil. Cela permet de réduire l'accumulation de givre à l'intérieur de l'appareil.
- Le bac de rangement de l'appareil ne doit pas être recouvert de papier d'aluminium, de papier ciré ou de papier absorbant. Les doublures gênent la circulation de l'air froid, ce qui réduit l'efficacité de l'appareil.
- Organisez et étiquetez les aliments pour réduire la durée d'ouverture de la porte et les recherches prolongées. Retirez autant d'articles que nécessaire en une seule fois, et fermez la porte dès que possible.

3 Structure et fonctions

3.1 Composants principaux



(L'image ci-dessus n'est donnée qu'à titre indicatif. La configuration réelle dépendra du produit physique ou de la constatation du distributeur)

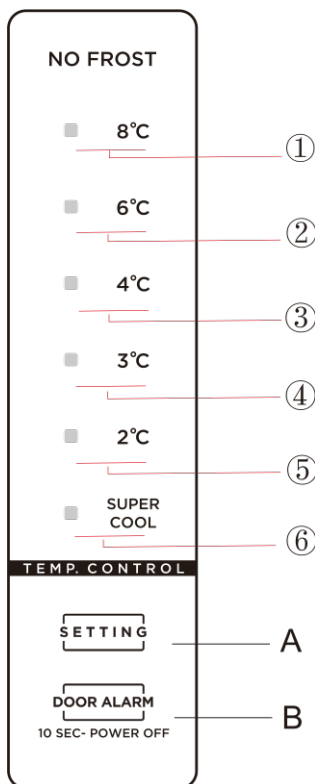
Chambre de réfrigération

- La chambre de réfrigération convient au stockage de divers fruits, légumes, boissons et autres aliments consommés rapidement. La durée de stockage suggérée est de 3 à 5 jours.
- Les aliments cuits ne doivent pas être placés dans la chambre de réfrigération avant d'avoir refroidi à température ambiante. Il est recommandé de couvrir les aliments avant de les mettre au réfrigérateur.
- Les étagères en verre peuvent être ajustées vers le haut ou vers le bas pour un espace de rangement adapté et une utilisation facile.

Remarque : Utilisation de l'étagère en verre :

Mettez de côté un cadre d'environ 50mm, levez de 30 degrés ou plus vers la droite, sortez du réfrigérateur à nouveau.

3.2 Fonctions



(L'image ci-dessus n'est donnée qu'à titre indicatif. La configuration réelle dépendra du produit physique ou de la déclaration du distributeur).

1) Clé

A. Touche de réglage de la température

B. Touche de mise en veille

2) Icônes de température

① Réglage 1 : la température est de 8°C

② Réglage 2 : la température est de 6°C

③ Réglage 3 : la température est de 4°C

④ Réglage 4 : la température est de 3°C

⑤ Réglage 5 : la température est de 2°C

⑥ Réglage 6 : Super froid

3) Lorsque le réfrigérateur est sous tension :

Toutes les icônes de température s'allument dans les 3 secondes suivant la mise sous tension, pour la première mise sous tension, la température par défaut est la suivante 4°C.

Ensuite, chaque fois que vous démarrez le réfrigérateur, il fonctionne conformément à la température réglée avant la dernière mise hors tension.

Affichage du fonctionnement normal


En cas de panne, les icônes correspondantes clignotent en même temps : les codes et types d'erreur sont indiqués comme suit :

Réfrigérateur :


| Code d'erreur | Description d'erreur | Affichage |
|---------------|---|--|
| E1 | Défaillance de la sonde de température de la chambre de réfrigération | Les icônes « ^{SUPER} COOL » et « 2 » s'allument simultanément |
| E5 | Défaillance du capteur de dégivrage de la chambre de réfrigération | Les icônes « ^{SUPER} COOL » et « 3 » s'allument simultanément |
| E6 | Erreur de communication | Les icônes « 2 » et « 4 » s'allument simultanément |
| E7 | Défaillance du capteur de température ambiante | Les icônes « ^{SUPER} COOL » et « 4 » s'allument simultanément |

S'il n'y a pas d'erreur, l'écran affiche la température de consigne de la chambre de réfrigération.

Fonction de mise en veille


Maintenez la touche de mise en veille  enfoncée pendant 10 secondes pour activer la fonction de veille.

Réglage de la température

Le réglage de la température est modifié lorsque vous appuyez sur la touche (). Ensuite, le réfrigérateur fonctionnera selon le nouveau réglage de température après 15s.



Mode Super froid

Entrée : en mode réfrigérateur, appuyez sur la touche () jusqu'à ce que l'icône ^{SUPER}COOL s'allume. Pendant le mode Super cool, le réfrigérateur fonctionne selon les températures définies à 2°C, et il quittera ce mode automatiquement après 360 minutes de fonctionnement ou de réglage de la température ou du mode.

4. Entretien et nettoyage de l'appareil

4.1 Nettoyage général

- Les poussières derrière le réfrigérateur et sur le sol doivent être nettoyées rapidement pour améliorer l'effet de refroidissement et les économies d'énergie.
- Vérifiez régulièrement le joint de la porte pour vous assurer qu'il n'y a pas de débris. Nettoyez le joint de porte avec un chiffon doux imbibé d'eau savonneuse ou de détergent dilué.
- L'intérieur du réfrigérateur doit être nettoyé régulièrement pour éviter la formation d'odeurs.
- Veuillez éteindre l'appareil avant de nettoyer l'intérieur, retirez tous les aliments, les boissons, les étagères, les tiroirs, etc. Utilisez un chiffon doux ou une éponge pour nettoyer l'intérieur du réfrigérateur, avec deux cuillères à soupe de bicarbonate de soude et un litre d'eau chaude. Rincez ensuite à l'eau et essuyez. Après le nettoyage, ouvrez la porte et laissez sécher à l'air avant de remettre l'appareil sous tension.
- Pour les zones difficiles à nettoyer à l'intérieur du réfrigérateur (telles que les endroits étroits, les interstices ou les coins), nous vous recommandons de les essuyer régulièrement avec un chiffon doux, une brosse douce, etc. et, si nécessaire, avec certains outils (tels que des bâtonnets fins) afin d'éviter toute accumulation de contaminants ou de bactéries dans ces zones.
- Ne pas utiliser de savon, de détergent, de poudre à récurer, de nettoyant en spray, etc., car cela pourrait favoriser la formation d'odeurs à l'intérieur du réfrigérateur ou contaminer les aliments.
- Nettoyez l'espace pour bouteilles, les étagères et les tiroirs avec un chiffon doux imbibé d'eau savonneuse ou de détergent dilué. Séchez avec un chiffon doux ou laissez sécher à l'air.
- Essuyez la surface extérieure du réfrigérateur avec un chiffon doux imbibé d'eau savonneuse, de détergent, etc. puis essuyez-le.
- Ne pas utiliser de brosses dures, de billes d'acier, de brosses métalliques, d'abrasifs (comme les dentifrices), de solvants organiques (comme l'alcool, l'acétone, l'huile de banane, etc.), d'eau bouillante, d'articles acides ou alcalins, qui pourraient endommager la surface et l'intérieur du réfrigérateur. L'eau bouillante et les solvants organiques tels que le benzène peuvent déformer ou endommager les pièces en plastique.
- Ne pas rincer directement avec de l'eau ou d'autres liquides pendant le nettoyage pour éviter les courts-circuits ou affecter l'isolation électrique après l'immersion.



⚠ Veuillez débrancher le réfrigérateur pour le dégivrage et le nettoyage.

4.2 Dégivrage

- Le réfrigérateur est conçu selon le principe du refroidissement par air et possède donc une fonction de dégivrage automatique. Le givre formé par le changement de saison ou de température peut également être éliminé manuellement en débranchant l'appareil de l'alimentation électrique ou en l'essuyant avec une serviette sèche.

4.3 Hors service

- Panne de courant : En cas de panne de courant, même en été, les aliments à l'intérieur de l'appareil peuvent être conservés pendant plusieurs heures ; pendant la panne de courant, les temps d'ouverture de la porte seront réduits, et aucun aliment frais ne sera plus introduit dans l'appareil.
- Non-utilisation de longue durée : L'appareil est débranché puis nettoyé ; les portes sont ensuite laissées ouvertes pour éviter la formation d'odeurs.
- Déplacement : Avant de déplacer le réfrigérateur, sortez tous les objets, fixez les cloisons en verre, le bac à légumes, les tiroirs de la chambre de congélation, etc. avec du ruban adhésif et serrez les pieds de nivellement ; fermez les portes et fixez-les avec du ruban adhésif. Au cours du déplacement, l'appareil ne doit pas être posé à l'envers ou à l'horizontale, ni être secoué ; l'inclinaison pendant le déplacement ne doit pas être supérieure à 45°.

⚠ L'appareil doit fonctionner en continu une fois qu'il a été mis en marche. En général, le fonctionnement de l'appareil ne doit pas être interrompu, sinon la durée de vie de l'appareil peut être compromise.

5 Dépannage

Vous pouvez essayer de résoudre les problèmes suivants par vous-même. S'ils ne peuvent être résolus, veuillez contacter le service après-vente.

| | |
|---|---|
| Échec | Vérifiez si l'appareil est branché sur le secteur ou si la fiche est bien en contact. Vérifiez si la tension est trop faible Vérifiez si une panne de courant est survenue ou si des circuits partiels se sont déclenchés |
| Odeur | Les aliments odorants doivent être emballés hermétiquement Vérifiez la présence éventuelle d'aliments pourris Nettoyez l'intérieur du réfrigérateur |
| Fonctionnement prolongé du compresseur | Le fonctionnement prolongé du réfrigérateur est normal en été lorsque la température ambiante est élevée Il n'est pas recommandé de disposer trop de nourriture dans l'appareil. Les aliments doivent être refroidis avant d'être stockés dans l'appareil Les portes sont ouvertes trop fréquemment |
| La lumière ne s'allume pas | Vérifiez si le réfrigérateur est connecté à l'alimentation électrique et si le voyant lumineux est endommagé. Faites remplacer la lampe par un spécialiste |
| Les portes ne se ferment pas correctement | La porte est bloquée par des paquets de nourriture Trop de nourriture est stockée Le réfrigérateur est incliné |
| Bruit fort | Vérifiez si le sol est de niveau et si le réfrigérateur est placé de manière stable. Vérifiez que les accessoires sont placés aux bons endroits |
| Le joint de la porte n'est pas étanche | Retirez les corps étrangers sur le joint de la porte Réchauffez le joint de la porte puis refroidissez-le pour lui rendre sa forme (ou utilisez un sèche-cheveux ou une serviette chaude) |
| Le réservoir d'eau déborde | Il y a trop d'aliments dans le compartiment ou les aliments stockés contiennent trop d'eau, ce qui cause un dégivrage trop important Les portes ne sont pas correctement fermées, ce qui cause du givre en raison de l'entrée d'air et une augmentation de l'eau en raison du dégivrage |
| Boîtier chaud | Dissipation de la chaleur du condenseur intégré via le boîtier, ce qui est normal Lorsque le boîtier devient chaud en raison d'une température ambiante élevée, du stockage d'une trop grande quantité de nourriture ou de l'arrêt du compresseur, prévoir une bonne ventilation pour faciliter la dissipation de la chaleur |
| Condensation de surface | La condensation sur la surface extérieure et les joints de la porte du réfrigérateur est normale lorsque l'humidité ambiante est trop élevée. Essayez simplement la condensation avec une serviette propre. |
| Bruit anormal | Bourdonnements : Le compresseur peut produire des bourdonnements lorsqu'il est en marche, et ces bourdonnements sont particulièrement forts au démarrage ou à l'arrêt. Il s'agit d'un phénomène normal. Craquements : Le réfrigérant qui circule à l'intérieur de l'appareil peut produire des craquements, ce qui est normal. |

Tableau 1 : Classes climatiques

| Classe | Symbole | Plage de température ambiante °C |
|--------------------|---------|----------------------------------|
| Tempérée prolongée | SN | + 10 à + 32 |
| Tempérée | N | + 16 à + 32 |
| Sous-tropicale | ST | + 16 à + 38 |
| Tropicale | T | + 16 à + 43 |

Tempérée prolongée : « cet appareil de réfrigération est destiné à être utilisé à des températures ambiantes comprises entre 10 °C et 32 °C » ;

Tempérée : « cet appareil de réfrigération est destiné à être utilisé à des températures ambiantes comprises entre 16 °C et 32 °C » ;

Sous-tropicale : « cet appareil de réfrigération est destiné à être utilisé à des températures ambiantes comprises entre 16 °C et 38 °C » ;

Tropicale : « cet appareil de réfrigération est destiné à être utilisé à des températures ambiantes comprises entre 16 °C et 43 °C » ;

Spécial pour la nouvelle norme européenne :

Les pièces commandées dans le tableau suivant peuvent être acquises auprès du canal _ :

| Pièce commandée | Fournie par | Délai minimum pour la mise à disposition |
|-----------------------------|---|---|
| thermostats | Personnel d'entretien professionnel | Au moins 7 ans après le lancement du dernier modèle sur le marché |
| capteurs de température | Personnel d'entretien professionnel | Au moins 7 ans après le lancement du dernier modèle sur le marché |
| cartes de circuits imprimés | Personnel d'entretien professionnel | Au moins 7 ans après le lancement du dernier modèle sur le marché |
| sources de lumière | Personnel d'entretien professionnel | Au moins 7 ans après le lancement du dernier modèle sur le marché |
| poignées de porte | Réparateurs professionnels et utilisateurs finaux | Au moins 7 ans après le lancement du dernier modèle sur le marché |
| charnières de porte | Réparateurs professionnels et utilisateurs finaux | Au moins 7 ans après le lancement du dernier modèle sur le marché |
| plateaux | Réparateurs professionnels et utilisateurs finaux | Au moins 7 ans après le lancement du dernier modèle sur le marché |
| paniers | Réparateurs professionnels et utilisateurs finaux | Au moins 7 ans après le lancement du dernier modèle sur le marché |
| joint de porte | Réparateurs professionnels et utilisateurs finaux | Au moins 10 années après le lancement du dernier modèle sur le marché |

Cher client

1. Si vous souhaitez retourner ou remplacer le produit, veuillez contacter le magasin où vous l'avez acheté.

(Pensez à apporter la facture d'achat)

2. Si votre produit tombe en panne et doit être réparé, veuillez contacter le service après-vente.

Téléphone :

Adresse e-mail :

INHALT

| | | |
|-----|---|---------|
| 1 | Sicherheitshinweise | |
| 1.1 | Warnung | 1-2 |
| 1.2 | Bedeutung der Sicherheitssymbole | 3 |
| 1.3 | Warnhinweise in Bezug auf Strom | 3 |
| 1.4 | Warnhinweise zum Gebrauch | 4 |
| 1.5 | Warnhinweise zur Aufstellung | 4-5 |
| 1.6 | Warnhinweise zu Energien | 5 |
| 1.7 | Warnhinweise zur Entsorgung | 5 |
| 2 | Ordnungsgemäße Nutzung des Kühlschranks | |
| 2.1 | Aufstellort | 6 |
| 2.2 | Montage des Türgriffs | 7 |
| 2.3 | Verstellbare FüÙe | 8 |
| 2.4 | Tür Rechts-Links-Wechsel | 9 - 10 |
| 2.5 | Inbetriebnahme | 11 |
| 2.6 | Tipps zum Energiesparen | 11 |
| 3 | Aufbau und Funktionen | |
| 3.1 | Schlüsselkomponenten | 12 |
| 3.2 | Funktionen | 13 - 14 |
| 4 | Wartung und Pflege des Kühlschranks | |
| 4.1 | Gerät reinigen | 15 |
| 4.2 | Abtauen | 15 |
| 4.3 | Nicht in Betrieb | 15 |
| 5 | Fehlerbehebung | |
| 5.1 | Fehlerbehebung | 16 |
| 6 | Parameter | |
| 6.1 | Technische Parameter | 17- 18 |

1 Sicherheitshinweise

1.1 Warnung



Warnung: Brandgefahr / Entflammbare Materialien

Dieses Gerät ist für die Verwendung in Haushalten und ähnlichen Bereichen vorgesehen, wie z. B. in Personalküchen in Geschäften, Büros und anderen Arbeitsumgebungen, auf Bauernhöfen und von Kunden in Hotels, Motels und anderen Wohnumgebungen, in Frühstückspensionen, in der Gastronomie und ähnlichen Anwendungen außerhalb des Einzelhandels.

Dieses Gerät ist nicht dafür bestimmt, durch Personen (einschließlich Kinder) mit eingeschränkten körperlichen, sensorischen oder geistigen Fähigkeiten oder mangels Erfahrung und mangels Wissen benutzt zu werden, es sei denn, sie werden durch eine für ihre Sicherheit zuständige Person beaufsichtigt oder erhielten von ihr Anweisungen, wie das Gerät zu benutzen ist.

Kinder sollten beaufsichtigt werden, um sicherzustellen, dass sie nicht mit dem Gerät spielen.

Wenn das Netzkabel beschädigt ist, muss es durch den Hersteller, den Kundendienst oder eine ähnlich qualifizierte Personen ersetzt werden, um eine Gefährdung zu vermeiden.

Lagern Sie keine explosiven Medien wie Spraydosen mit brennbarem Treibmittel in diesem Gerät.

Das Gerät muss nach dem Gebrauch und vor der Durchführung von Wartungsarbeiten durch den Benutzer vom Stromnetz getrennt werden.

Warnung: Halten Sie die Lüftungsöffnungen im Gerätegehäuse oder in der Einbaukonstruktion frei von Hindernissen.

Warnung: Verwenden Sie keine mechanischen Hilfsmittel oder andere nicht vom Hersteller empfohlene Mittel zur Beschleunigung des Abtauprozesses.

Warnung: Beschädigen Sie nicht den Kältemittelkreislauf.

Warnung: Benutzen Sie keine elektrischen Geräte in den Lebensmittelaufbewahrungsfächern des Geräts, es sei denn, es handelt sich um den vom Hersteller empfohlenen Typ.

Warnung: Der Kühlschrank ist entsprechend den örtlichen Vorschriften zu entsorgen, da brennbares Treibgas und Kältemittel verwendet werden.

Warnung: Achten Sie beim Aufstellen des Geräts darauf, dass das Netzkabel nicht eingeklemmt oder beschädigt wird.

Warnung: Bringen Sie keine Mehrfachsteckdosen oder tragbare Netzteile an der Rückseite des Geräts an.

Keine Verlängerungskabel oder nicht geerdete zweipolige Adapter verwenden.

Gefahr: Gefahr des Einklemmens von Kindern. Bevor Sie Ihren alten Kühl- oder Gefrierschrank entsorgen:

-Entfernen Sie die Türen.

-Lassen Sie die Einlegeböden an ihrem Platz, damit Kinder nicht leicht hineinklettern können.

Vor der Installation des Zubehörs muss der Kühlschrank vom Stromnetz getrennt werden.

Das für das Gerät verwendete Kältemittel und der Treibstoff Cyclopentan sind brennbar.

Bei der Entsorgung des Geräts ist es daher von jeglicher Feuerquelle fernzuhalten und von einem speziellen Verwertungsunternehmen mit entsprechender Qualifikation zu entsorgen, damit Umweltschäden oder andere Schäden vermieden werden.

Für die EN-Norm: Dieses Gerät darf von Kindern ab 8 Jahren sowie von Personen mit verringerten körperlichen, sensorischen oder mentalen Fähigkeiten oder Mangel an Erfahrung und Wissen benutzt werden, wenn sie beaufsichtigt werden oder bezüglich des sicheren Gebrauchs des Geräts unterwiesen wurden und die damit verbundenen Gefahren verstehen. Kinder dürfen nicht mit dem Gerät spielen. Die Reinigung und Benutzerwartung darf nicht von Kindern ohne Aufsicht durchgeführt werden. Kinder im Alter von 3 bis 8 Jahren dürfen den Kühlschrank nicht ein- und ausräumen.

Bei Türen oder Deckeln, die mit Schlössern und Schlüsseln versehen sind, müssen die Schlüssel außerhalb der Reichweite von Kindern und nicht in der Nähe des Kühlgeräts aufbewahrt werden, um ein Einschließen von Kindern zu verhindern.

Um eine Verunreinigung der Lebensmittel zu vermeiden, beachten Sie bitte die folgenden Hinweise:

- Längeres Öffnen der Tür kann zu einem deutlichen Anstieg der Temperatur in den Fächern des Geräts führen.
- Oberflächen, die mit Lebensmitteln in Berührung kommen können, und zugängliche Abflusssysteme sollten regelmäßig gereinigt werden.
- Reinigen Sie die Wassertanks, wenn sie 48 Stunden lang nicht benutzt wurden; spülen Sie das an eine Wasserversorgung angeschlossene Wassersystem, wenn 5 Tage lang kein Wasser entnommen wurde. (Hinweis 1)
- Lagern Sie rohes Fleisch und rohen Fisch in geeigneten Behältern im Kühlschrank, damit es nicht mit anderen Lebensmitteln in Berührung kommt und keine Flüssigkeit von diesen Produkten auf andere Lebensmittel tropfen kann.
- Zwei-Sterne-Gefrierfächer eignen sich für die Aufbewahrung von tiefgefrorenen Lebensmitteln, für die Lagerung oder Zubereitung von Speiseeis und für die Herstellung von Eiswürfeln. (Hinweis 2)
- Ein-, Zwei- und Drei-Sterne-Fächer sind nicht zum Einfrieren von frischen Lebensmitteln geeignet. (Hinweis 3)
- Bei Geräten ohne 4-Sterne-Fach: Dieses Kühlgerät ist nicht zum Einfrieren von Lebensmitteln geeignet. (Hinweis 4)
- Wenn das Kühlgerät längere Zeit leer bleiben wird, schalten Sie es aus, tauen Sie es ab, reinigen und trocknen Sie es und lassen Sie die Tür einen Spalt offen, um Schimmelbildung im Inneren zu vermeiden.

Hinweis 1,2,3,4: Bitte prüfen Sie, ob dies bei Ihrem Gerätetyp zutrifft.

Für ein freistehendes Gerät: Dieses Kühlgerät ist nicht zum Einbau bestimmt.

Das Auswechseln oder die Wartung der LED-Lampen darf nur vom Hersteller, dessen Kundendienst oder einer ähnlich qualifizierten Person vorgenommen werden. Dieses Produkt enthält eine Lichtquelle der Energieeffizienzklasse <G>.

1.2 Bedeutung der Sicherheitssymbole



Verbotssymbol

Dieses Symbol steht für Verbot.

Die Nichtbeachtung der mit diesem Symbol gekennzeichneten Anweisungen kann zu Schäden am Produkt führen oder die persönliche Sicherheit des Benutzers gefährden.



Warnsymbol

Dieses Symbol steht für Warnung.

Die mit diesem Symbol gekennzeichneten Anweisungen müssen unbedingt beachtet werden, da andernfalls das Produkt beschädigt werden oder es zu Verletzungen von Personen kommen kann.



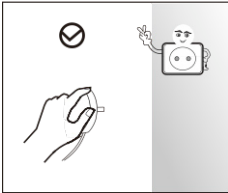
Hinweisymbol

Dieses Symbol steht für Vorsicht.

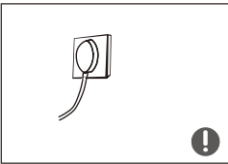
Anweisungen, die mit diesem Symbol gekennzeichnet sind, erfordern besondere Vorsicht. Unzureichende Vorsicht kann zu leichten oder mittelschweren Verletzungen oder zur Beschädigung des Produkts führen.

Diese Bedienungsanleitung enthält viele wichtige Sicherheitshinweise, die von den Benutzern beachtet werden müssen.

1.3 Warnhinweise in Bezug auf Strom



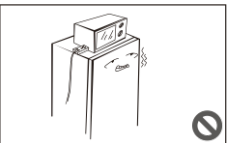
- Ziehen Sie nicht am Netzkabel, wenn Sie den Netzstecker des Kühlschranks abziehen. Halten Sie den Netzstecker fest und ziehen Sie ihn aus der Steckdose.
- Um einen sicheren Gebrauch zu gewährleisten, beschädigen Sie das Netzkabel nicht und verwenden Sie es nicht, wenn es beschädigt oder abgenutzt ist.



- Bitte verwenden Sie eine eigene Steckdose. Die Steckdose darf nicht mit anderen Elektrogeräten geteilt werden.
- Der Netzstecker muss einen stabilen Kontakt mit der Steckdose haben, andernfalls besteht Brandgefahr. Vergewissern Sie sich, dass der Schutzleiter der Steckdose mit einem sicheren Erdanschluss versehen ist.

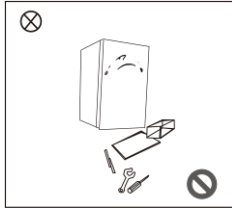


- Drehen Sie das Ventil von ausströmendem Gas ab und öffnen Sie Türen und Fenster, falls Gas oder andere brennbare Gase austreten.
- Ziehen Sie nicht den Netzstecker des Kühlschranks und anderer Elektrogeräte, da die Gefahr besteht, dass durch Funkenbildung ein Brand entsteht.

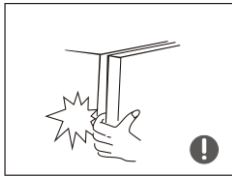


- Elektrogeräte wie Steckdosen, Spannungsregler, Reiskocher, Mikrowellenherd usw. sollten nicht oben auf den Kühlschrank gestellt werden.

1.4 Warnhinweise zum Gebrauch



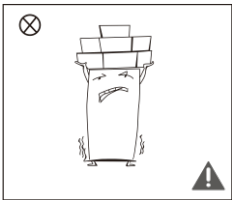
- Der Kühlschrank darf nicht eigenmächtig demontiert oder umgebaut werden, und der Kältemittelkreislauf darf nicht beschädigt werden. Die Wartung des Geräts muss von einem Fachmann durchgeführt werden.
- Ein beschädigtes Netzkabel muss durch den Hersteller, dessen Kundendienst oder entsprechendes Fachpersonal ersetzt werden, um Gefährdungen auszuschließen.



- Die Spalten zwischen den Kühlschranktüren und zwischen den Türen und dem Kühlschrankgehäuse sind schmal. Greifen Sie nicht in diese Bereiche, um Quetschungen der Finger zu vermeiden. Seien Sie beim Schließen oder Öffnen der Kühlschranktür vorsichtig, um das Herunterfallen von Gegenständen zu vermeiden.
- Berühren Sie den Gefrierraum nicht mit nassen Händen, wenn der Kühlschrank in Betrieb ist, insbesondere keine Metallbehälter, um Erfrierungen zu vermeiden.



- Lassen Sie kein Kind in den Kühlschrank einsteigen oder hinaufklettern. Es besteht Erstickungsgefahr oder die Gefahr, dass sich das Kind beim Herunterfallen verletzt.

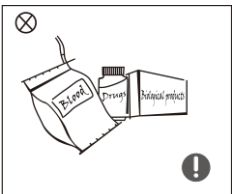


- Stellen Sie keine schweren Gegenstände auf den Kühlschrank, da diese beim Öffnen oder Schließen der Tür herunterfallen und zu Verletzungen führen können.
- Bei Stromausfall oder zur Reinigung ziehen Sie bitte den Netzstecker heraus. Schließen Sie den Gefrierschrank nicht innerhalb von fünf Minuten an das Stromnetz an, um Beschädigungen des Kompressors durch aufeinanderfolgende Starts zu vermeiden.

1.5 Warnhinweise zur Aufstellung



- Legen Sie keine entflammaren, explosiven, leicht entzündlichen und stark ätzenden Gegenstände in den Kühlschrank, um Schäden am Gerät oder Brände zu vermeiden.
- Platzieren Sie keine brennbaren Gegenstände in die Nähe des Kühlschranks, damit die Gefahr eines Brandes vermieden wird.



- Der Kühlschrank ist für die Verwendung im Haushalt bestimmt, z. B. für die Lebensmittelaufbewahrung. Er darf nicht für andere Zwecke verwendet werden, z. B. für die Aufbewahrung von Blut, Medikamenten oder biologischen Erzeugnissen usw.



- Lagern Sie kein Bier, keine Getränke oder andere Flüssigkeiten in Flaschen oder geschlossenen Behältern im Gefrierraum des Kühlschranks, da die Flaschen oder geschlossenen Behälter sonst durch das Gefrieren platzen und Schäden verursachen können.

1.6 Warnhinweise zu Energien

Warnhinweise zu Energien

- 1) Wenn das Kühlgerät über einen längeren Zeitraum auf eine Temperatur eingestellt wird, die niedriger ist als die für das Gerät vorgesehene Kühltemperatur, kann es zu Funktionsstörungen kommen (z. B. Auftauen des Gefrierguts oder zu hohe Temperatur im Gefrierfach).
- 2) Kohlensäurehaltige Getränke sollten nicht in Gefrierfächern oder -schränken oder in Fächern oder Schränken mit niedriger Temperatur aufbewahrt werden und einige Produkte wie z. B. Wassereis sollten nicht zu kalt verzehrt werden.
- 3) Die vom Hersteller empfohlene(n) Lagerzeit(en) für sämtliche Lebensmittel und insbesondere für gewerblich tiefgekühlte Lebensmittel in Gefrier- und Tiefkühlfächern oder -schränken darf nicht überschritten werden.
- 4) Erforderliche Vorkehrungen, um eine übermäßige Erwärmung des Gefrierguts beim Abtauen des Kühlgeräts zu verhindern, z. B. das Gefriergut in mehrere Lagen Zeitungspapier zu wickeln.
- 5) Erforderliche Vorkehrungen, um einen übermäßigen Temperaturanstieg des Gefrierguts beim Abtauen des Kühlgeräts zu verhindern, z. B. das Gefriergut in mehrere Lagen Zeitungspapier zu wickeln.

1.7 Warnhinweise zur Entsorgung



Das für den Kühlschrank verwendete Kältemittel und der Treibstoff Cyclopentan sind brennbar. Bei der Entsorgung des Kühlschranks ist es daher von jeglicher Feuerquelle fernzuhalten und von einem speziellen Verwertungsunternehmen mit entsprechender Qualifikation zu entsorgen, damit Umweltschäden oder andere Schäden vermieden werden.



Bei der Entsorgung des Kühlschranks sind die Türen zu demontieren und die Dichtungen der Türen und Ablagen zu entfernen. Bewahren Sie die Türen und Ablagen an einen geeigneten Ort auf, damit sich Kinder nicht einklemmen können.

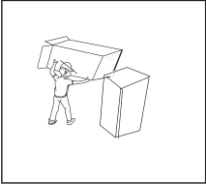


Korrekte Entsorgung dieses Geräts:

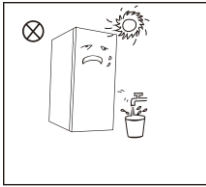
Diese Kennzeichnung weist darauf hin, dass dieses Produkt nicht mit anderen Haushaltsabfällen entsorgt werden darf. Um mögliche Umwelt- oder Gesundheitsschäden durch unkontrollierte Abfallentsorgung zu vermeiden, recyceln Sie den Kühlschrank verantwortungsvoll, um die nachhaltige Wiederverwendung von Materialressourcen zu fördern. Zur Rückgabe Ihres gebrauchten Geräts nutzen Sie bitte die Rückgabe- und Rücknahmesysteme oder wenden Sie sich an den Händler, bei dem Sie das Produkt gekauft haben. Dort wird dieses Produkt umweltgerecht entsorgt.

2 Ordnungsgemäße Nutzung des Kühlschranks

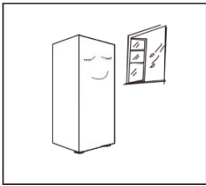
2.1 Aufstellort



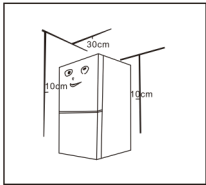
- Entfernen Sie vor dem Benutzung alle Verpackungsmaterialien, einschließlich der Bodenpolster, Schaumstoffpolster und Klebebänder im Inneren des Kühlschranks und entfernen Sie die Schutzfolien an den Türen und am Kühlschrankgehäuse.



- Halten Sie das Gerät von Hitze fern und vermeiden Sie direkte Sonneneinstrahlung. Stellen Sie den Kühlschrank nicht an feuchten oder nassen Orte auf, um eine Rostbildung oder eine Beeinträchtigung der Isolierwirkung zu vermeiden.
- Sprühen oder waschen Sie den Kühlschrank nicht ab und stellen Sie ihn nicht an feuchten Orten auf, an denen er Spritzwasser ausgesetzt ist, um eine Beeinträchtigung der elektrischen Isolationseigenschaften des Kühlschranks zu vermeiden.



- Stellen Sie den Kühlschrank im Innenbereich an einem gut belüfteten Ort auf. Der Boden muss eben und stabil sein (drehen Sie das Stellrad nach links oder rechts, um es auszurichten, falls der Kühlschrank nicht standfest ist).



- Der Abstand auf der Oberseite des Kühlschranks muss mindestens 30 cm betragen, und der Kühlschrank sollte mit einem Abstand von mehr als 10 cm an einer Wand aufgestellt werden, um die Wärmeabgabe zu gewährleisten.

- !** Vorsichtsmaßnahmen vor der Installation:
Vergewissern Sie sich vor der Installation oder Ausrichtung des Zubehörs, dass der Kühlschrank vom Stromnetz getrennt ist.
Es sollten Vorkehrungen getroffen werden, um ein Herunterfallen des Griffs und eine damit verbundene Verletzungsgefahr zu vermeiden.

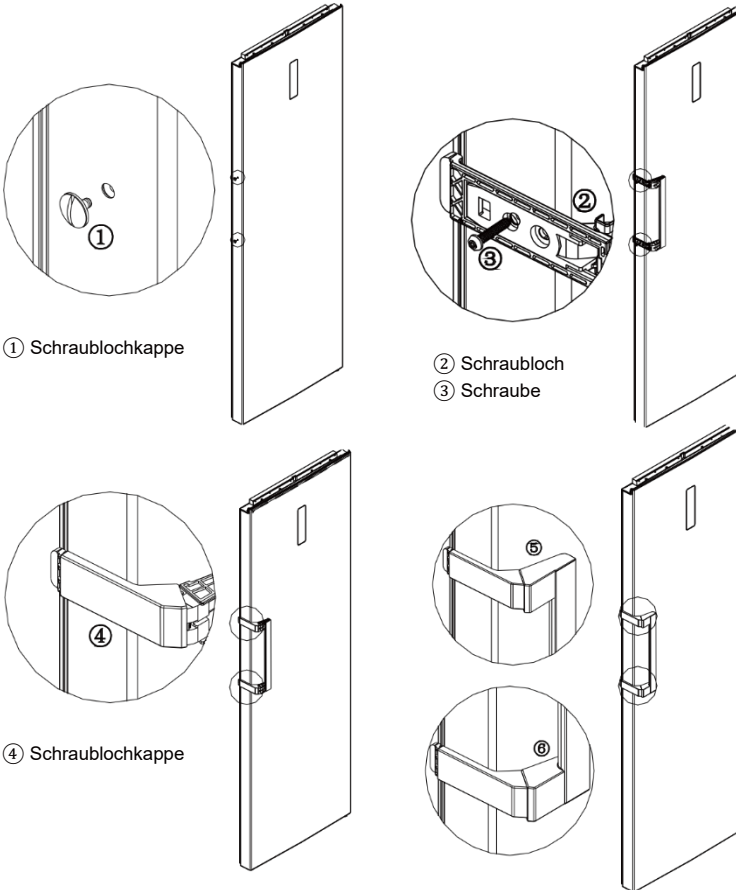
2.2 Montage des Türgriffs

Es sollten Vorkehrungen getroffen werden, um ein Herunterfallen des Griffs und eine damit verbundene Verletzungsgefahr zu vermeiden.

Liste der vom Benutzer bereitzustellenden Werkzeuge



Kreuzschraubendreher



① Schraublochkappe

② Schraubloch
③ Schraube

④ Schraublochkappe

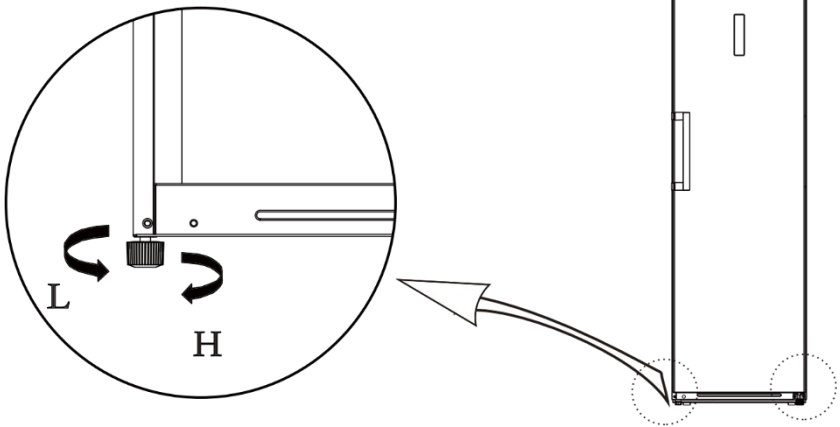
(Die obenstehende Abbildung dient nur als Referenz. Die tatsächliche Konfiguration hängt vom physischen Produkt oder von den Angaben des Händlers ab)

Montageschritte

- Entfernen Sie die Schraublochkappen ① von der Tür und verwenden Sie einen Kreuzschraubendreher, um die Schrauben ③ in den Schraublöchern ② zu befestigen.
- Bringen Sie die Schraublochkappe ④ am Schraubloch des Griffs an.
- Bei der Demontage gehen Sie in umgekehrter Reihenfolge vor.

2.3 Verstellbare FüÙe

Schematische Darstellung der verstellbaren FüÙe







(Die obenstehende Abbildung dient nur als Referenz. Die tatsächliche Konfiguration hängt vom physischen Produkt oder von den Angaben des Händlers ab)

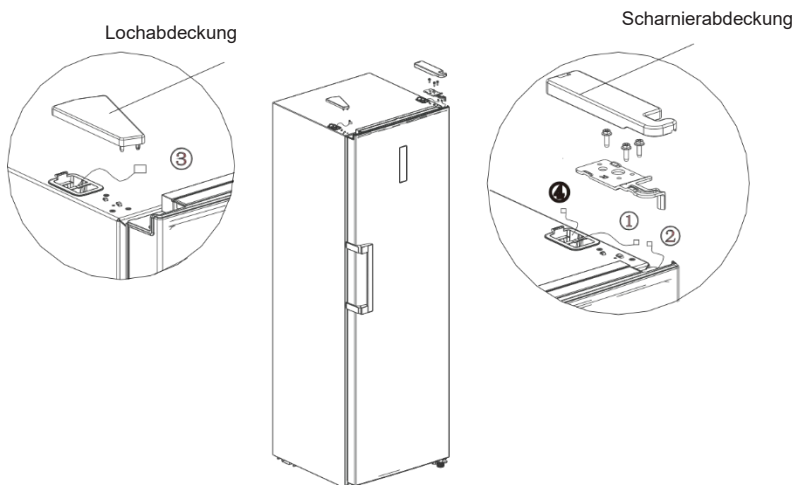
Vorgehensweise beim Ausrichten:

- a. Drehen Sie die FüÙe im Uhrzeigersinn, um den Kühlschrank anzuheben.
- b. Drehen Sie die FüÙe gegen den Uhrzeigersinn, um den Kühlschrank abzusenken.
- c. Stellen Sie die rechten und linken FüÙe gemäß den oben beschriebenen Verfahren auf eine waagerechte Position ein.

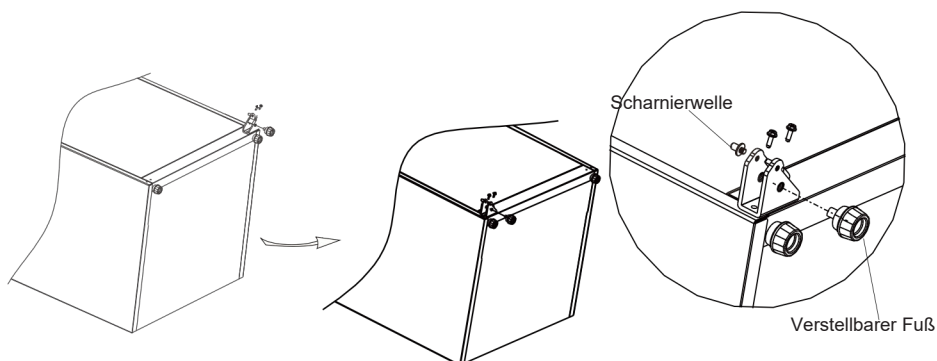
2.4 Tür Rechts-Links-Wechsel

| Liste der vom Benutzer bereitzustellenden Werkzeuge | | | |
|--|---|---|---|
|  | Kreuzschraubendreher |  | Kittmesser, Schraubendreher mit dünner Klinge |
|  | 5/16" Steckschlüsseleinsatz und Ratsche |  | Abdeckband |

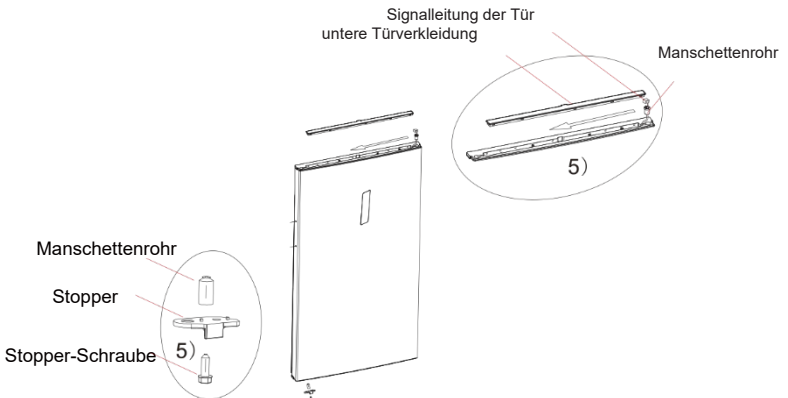
- 1) Schalten Sie den Kühlschrank aus und entfernen Sie alle Gegenstände aus den Türfächern.
- 2) Demontieren Sie die Schraublockkappen, Schrauben und den Griff sowie auf der anderen Seite die Kunststoff-Schraublockkappen (siehe Kapitel 2.2).
- 3) Demontieren Sie die obere Abdeckung des Scharniers, die Schrauben und das obere Scharnier und entfernen Sie die Lochabdeckung auf der anderen Seite. Ziehen Sie den Steckverbinder auf der rechten Seite des Kühlschranks ab (①, ② Steckverbinder).



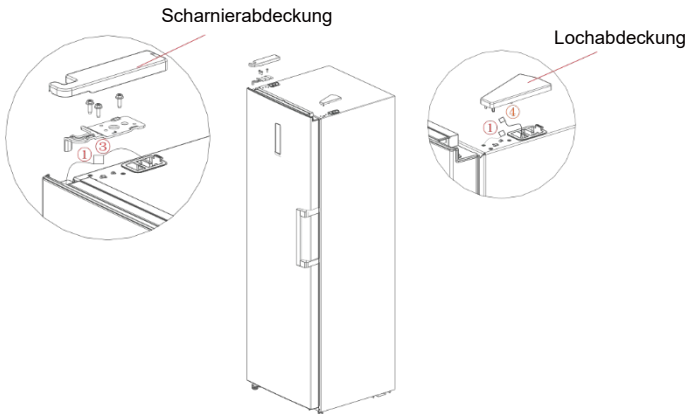
- 4) Demontieren Sie die Tür und die rechte untere Scharnierbaugruppe (Scharnierwelle, verstellbarer Fuß und Scharnier) und montieren Sie die Scharnierwelle und den verstellbaren Fuß auf der anderen Seite des Scharniers. Danach montieren Sie die gesamte Scharnierbaugruppe auf der anderen Seite des Kühlschranks.



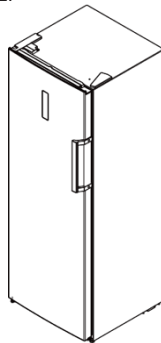
5) Entfernen Sie die Türverkleidung, bringen Sie die obere Scharnierhülse und die Türsignalleitung auf der anderen Seite an und montieren Sie die untere Türverkleidung wieder.
 Demontieren Sie den Türstopper und das Manschettenrohr von der rechten Unterseite der Tür, stecken Sie das Manschettenrohr in das Scharnierloch der linken Unterseite der Tür und montieren Sie den Türstopper an der linken Unterseite der Tür.



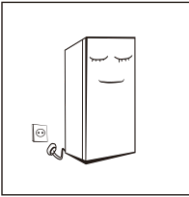
6) Nehmen Sie das linke obere Scharnier und die linke obere Scharnierabdeckung aus dem Zubehörpaket, setzen Sie die Tür auf das untere Scharnier und montieren Sie das linke obere Scharnier. Verbinden Sie die Signalleitungsklemme (3) mit der Signalleitungsklemme (2), die Signalleitungsklemme (1) mit der Signalleitungsklemme (4), montieren Sie die obere Scharnierabdeckung und die Lochabdeckung.



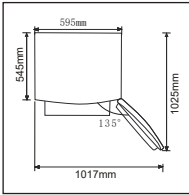
7) Für die Montage des Griffs siehe Kapitel 2.2.



2.5 Inbetriebnahme



- Lassen Sie den Kühlschrank vor der ersten Inbetriebnahme zwei Stunden lang stillstehen, bevor Sie ihn an die Stromversorgung anschließen.
- Bevor Sie frische oder gefrorene Lebensmittel einlegen, sollte der Kühlschrank 2-3 Stunden laufen, im Sommer bei hohen Umgebungstemperaturen über 4 Stunden.



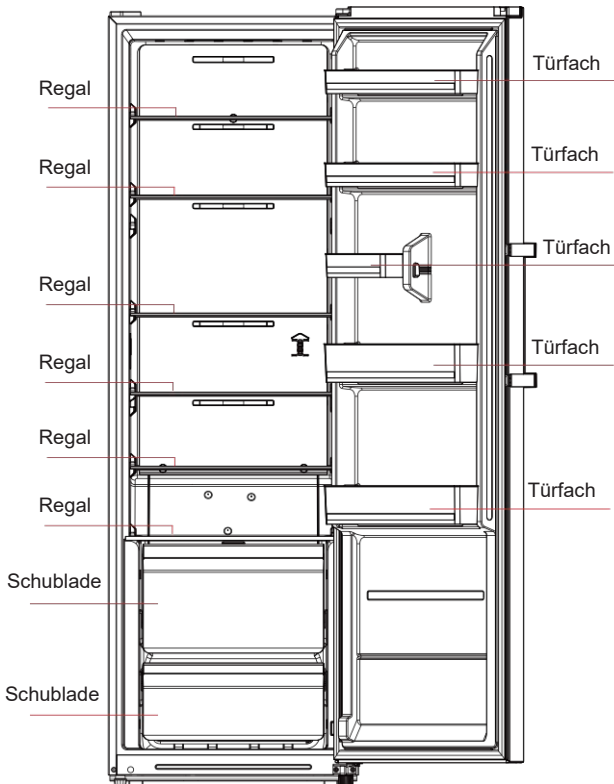
- Lassen Sie genügend Platz, damit sich die Türen und Schubladen problemlos öffnen lassen. Ansonsten gelten die Angaben des Händlers.

2.6 Tipps zum Energiesparen

- Das Gerät sollte im kühlestem Bereich des Raumes, weit weg von wärmeerzeugenden Geräten und ohne direkte Sonneneinstrahlung aufgestellt werden.
- Lassen Sie heiße Lebensmittel zuerst auf Raumtemperatur abkühlen, bevor Sie diese in das Gerät stellen. Durch Überlastung des Geräts muss der Kompressor länger laufen. Lebensmittel, die zu langsam einfrieren, können an Qualität verlieren oder verderben.
- Verwenden Sie eine geeignete Verpackung für die Lebensmittel und wischen Sie die Behälter trocken, bevor Sie sie in das Gerät stellen. Dadurch wird die Frostbildung im Geräteinneren verringert.
- Aufbewahrungsbehälter des Geräts sollten nicht mit Alufolie, Cellophan oder Papiertüchern ausgekleidet werden. Solche Auskleidungen behindern die Zirkulation der kalten Luft und beeinträchtigen die Leistungsfähigkeit des Geräts.
- Die Lebensmittel sind so zu organisieren und zu beschriften, dass die Tür nicht so oft geöffnet werden muss und die Suche nicht so lange dauert. Entnehmen Sie möglichst alle Lebensmittel, die Sie benötigen, auf einmal und schließen Sie die Tür so schnell wie möglich.

3 Aufbau und Funktionen

3.1 Schlüsselkomponenten



(Die obenstehende Abbildung dient nur als Referenz. Die tatsächliche Konfiguration hängt vom physischen Produkt oder von den Angaben des Händlers ab)

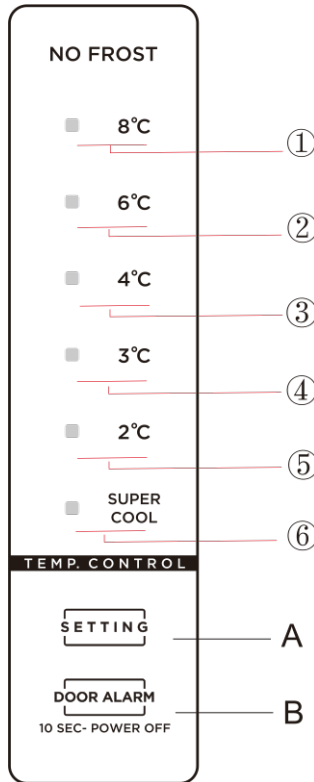
Kühlraum

- Der Kühlraum ist für die Lagerung verschiedener Obst- und Gemüsesorten, Getränke und anderer Lebensmittel geeignet, die kurzfristig verbraucht werden. Die empfohlene Lagerzeit beträgt 3 bis 5 Tage.
- Zubereitete, noch heiße Lebensmittel dürfen erst nach dem Abkühlen auf Raumtemperatur in den Kühlraum gestellt werden. Die Lebensmittel sollten möglichst gut verschlossen werden, bevor sie in den Kühlschrank gestellt werden.
- Die Glasablagen können nach oben oder unten versetzt werden, um Platz zu schaffen und die Nutzung zu erleichtern.

Hinweis: Einsatz des Glasregals für Wasser:

Glasregal am Rahmen fassen und ca. 50 mm herausziehen, die rechte Seite um ca. 30 Grad anheben und dann wieder aus dem Kühlschrank herausnehmen.

3.2 Funktionen



(Die obenstehende Abbildung dient nur als Referenz. Die tatsächliche Konfiguration hängt vom physischen Produkt oder von den Angaben des Händlers ab)

1) Schlüssel

A. Taste für die Temperatureinstellung

B. Standby-Taste

2) Symbole für die Temperatur

① Einstellung 1: die eingestellte Temperatur beträgt 8 °C

② Einstellung 2: die eingestellte Temperatur beträgt 6 °C

③ Einstellung 3: die eingestellte Temperatur beträgt 4 °C

④ Einstellung 4: die eingestellte Temperatur beträgt 3 °C

⑤ Einstellung 5: die eingestellte Temperatur beträgt 2 °C

⑥ Einstellung 6: Super Cool

3) Wenn der Kühlschrank eingeschaltet ist:

Alle Temperatursymbole leuchten innerhalb von 3 Sek. nach dem Einschalten auf. Beim ersten Einschalten ist die Standardtemperatur auf 4 °C eingestellt:

Danach wird der Kühlschrank jedes Mal, wenn Sie ihn einschalten, mit der vor dem Ausschalten des Geräts eingestellten Temperatur betrieben.

Anzeige des Normalbetriebs

Beim Auftreten eines Fehlers blinken die entsprechenden Symbole in Kombination: Die Fehlercodes und -typen werden wie folgt angezeigt:

Kühlschrank:

| Fehlercode | Beschreibung des Fehlers | Display |
|------------|--|--|
| E1 | Temperaturfühler des Kühlraums defekt | Symbol „ ^{SUPER} COOL“ und Symbol „2“ leuchten gleichzeitig |
| E5 | Temperaturfühler des Kühlschranks defekt | Symbol „ ^{SUPER} COOL“ und Symbol „3“ leuchten gleichzeitig |
| E6 | Kommunikationsfehler | Symbol „2“ und Symbol „4“ leuchten gleichzeitig |
| E7 | Fehler des Umgebungstemperaturfühlers | Symbol „ ^{SUPER} COOL“ und Symbol „4“ leuchten gleichzeitig |

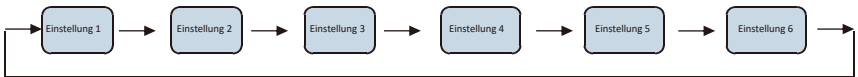
Wenn kein Fehler auftritt, zeigt der Bildschirm die eingestellte Temperatur des Kühlraums an.

Standby-Funktion

Halten Sie die Standby-Taste (DOOR ALARM 10 SEC. POWER OFF) 10 Sekunden lang gedrückt, um die Standby-Funktion zu aktivieren.

Temperatureinstellung

Die Temperatureinstellung wird geändert, sobald Sie die Taste (SETTING) drücken. Der Kühlschrank wird dann nach 15 Sek. mit der neuen Temperatureinstellung betrieben.



Modus „Super Cool“

Eingabe: Drücken Sie im Kühlschrank-Modus die Taste (SETTING), bis das Symbol ^{SUPER}COOL aufleuchtet. Im Modus Super Cool wird der Kühlschrank entsprechend der eingestellten Temperatur von 2 °C betrieben. Nach 360 Minuten Betriebszeit oder nach der eingestellten Temperatur oder Moduseinstellung wird dieser Modus automatisch beendet.

4. Wartung und Pflege des Geräts

4.1 Gerät reinigen

- Der Staub hinter dem Kühlschrank und auf dem Boden muss regelmäßig gereinigt werden, um die Kühlwirkung zu verbessern und Energie zu sparen.
- Kontrollieren Sie regelmäßig die Türdichtung, um zu überprüfen, dass keine Verunreinigungen vorhanden sind. Reinigen Sie die Türdichtung mit einem weichen Tuch, das mit Seifenwasser oder verdünntem Reinigungsmittel angefeuchtet ist.
- Das Innere des Kühlschranks sollte regelmäßig gereinigt werden, um Geruchsbildung zu vermeiden.
- Vor der Reinigung des Innenraums sollte das Gerät ausgeschaltet und alle Lebensmittel, Getränke, Einlegeböden, Schubladen usw. herausgenommen werden. Verwenden Sie ein weiches Tuch oder einen Schwamm für die Innenreinigung des Kühlschranks und geben Sie dazu zwei Esslöffel Backpulver in einen Liter warmes Wasser. Dann mit Wasser abspülen und abtrocknen. Lassen Sie die Tür nach der Reinigung geöffnet, um den Kühlschrank an der Luft trocknen zu lassen, bevor Sie ihn wieder einschalten.
- An schwer zu reinigenden Stellen im Kühlschrank (z. B. schmale Zwischenräume, Spalten oder Ecken) sollten Sie diese regelmäßig mit einem weichen Lappen, einer weichen Bürste usw. abwischen, gegebenenfalls in Kombination mit einigen Hilfsmitteln (z. B. dünnen Stäbchen), um sicherzustellen, dass sich in diesen Bereichen keine Verunreinigungen oder Bakterien ansammeln.
- Verwenden Sie keine Seife, Reinigungsmittel, Scheuerpulver, Reinigungssprays usw., da diese Gerüche im Kühlschrank verursachen oder Lebensmittel verunreinigen können.
- Reinigen Sie den Flaschenhalter, die Einlegeböden und die Schubladen mit einem weichen, mit Seifenwasser oder verdünntem Reinigungsmittel angefeuchteten Tuch. Trocknen Sie alles mit einem weichen Tuch ab oder lassen Sie es an der Luft trocknen.
- Wischen Sie die Außenflächen des Kühlschranks mit einem weichen, mit Seifenwasser, Spülmittel o. ä. angefeuchteten Tuch ab und wischen Sie diese anschließend trocken.
- Verwenden Sie keine harten Bürsten, Stahlkugeln, Drahtbürsten, Scheuermittel (z. B. Zahnpasta), organische Lösungsmittel (z. B. Alkohol, Aceton, Essig usw.), kochendes Wasser, Säuren oder Laugen, da diese die Oberfläche und den Innenraum des Kühlschranks beschädigen können. Kochendes Wasser und organische Lösungsmittel wie Benzol können die Kunststoffteile verformen oder beschädigen.
- Spülen Sie das Gerät während der Reinigung nicht direkt mit Wasser oder anderen Flüssigkeiten ab, um einen Kurzschluss zu vermeiden oder die elektrische Isolierung nach dem Abwaschen zu beeinträchtigen.



⚠ Bitte ziehen Sie zum Abtauen und Reinigen des Kühlschranks den Netzstecker.

4.2 Abtauen

- Der Kühlschrank ist nach dem System der automatischen Luftkühlung gebaut und verfügt daher über eine automatische Abtaufunktion. Aufgrund von Temperaturschwankungen oder einer anderen Jahreszeit entstandener Frost kann auch manuell entfernt werden, indem man das Gerät von der Stromversorgung trennt oder mit einem trockenen Handtuch abwischt.

4.3 Nicht in Betrieb

- Stromausfall: Bei einem Stromausfall können die Lebensmittel im Gerät auch im Sommer mehrere Stunden aufbewahrt werden. Solange der Strom ausgefallen ist, dürfen die Türen nur kurz geöffnet werden, und es dürfen keine frischen Lebensmittel mehr in das Gerät gelegt werden.
- Längere Nichtbenutzung: Der Netzstecker wird aus der Steckdose gezogen und das Gerät anschließend gereinigt. Lassen Sie die Türen offen, um Geruchsbildung zu vermeiden.
- Umzug: Vor dem Transport des Kühlschranks sind alle Gegenstände aus dem Inneren zu entfernen, die Glaseinlagen, der Gemüsebehälter, die Schubladen der Gefrierkammer usw. mit Klebeband zu befestigen und die verstellbaren Füße festzuziehen. Schließen Sie die Türen und versiegeln Sie diese mit einem Klebeband. Während des Transports darf das Gerät nicht auf den Kopf oder in die Horizontale gebracht oder erschüttert werden; die Neigung während des Transports darf nicht mehr als 45° betragen.

⚠ Nach dem Einschalten muss das Gerät ununterbrochen laufen. Grundsätzlich darf das Gerät nicht abgeschaltet werden, da sonst die Nutzungsdauer beeinträchtigt werden kann.

5 Fehlerbehebung

Die folgenden einfachen Probleme können Sie selbst zu beheben versuchen. Wenn sie nicht behoben werden können, wenden Sie sich bitte an den Kundendienst.

| | |
|---|--|
| Fehlerhafter Betrieb | Prüfen Sie, ob das Gerät an das Stromnetz angeschlossen ist oder ob der Netzstecker einwandfrei angeschlossen ist. Überprüfen Sie die Spannung auf Unterspannung Überprüfen Sie, ob ein Stromausfall besteht oder ein Teil des Stromkreises unterbrochen wurde. |
| Geruch | Geruchsintensive Lebensmittel müssen dicht verpackt sein Prüfen Sie, ob es verdorbene Lebensmittel gibt Reinigen Sie den Innenraum des Kühlschranks |
| Lang andauernder Betrieb des Kompressors | Ein verlängerter Betrieb des Kühlschranks ist im Sommer normal, wenn die Umgebungstemperatur hoch ist. Es sollten nicht zu viele Lebensmittel gleichzeitig im Gerät aufbewahrt werden. Die Lebensmittel müssen abkühlen, bevor sie in das Gerät gelegt werden Die Türen werden zu häufig geöffnet |
| Das Licht schaltet sich nicht ein | Prüfen Sie, ob der Kühlschrank an das Stromnetz angeschlossen ist und ob das Leuchtmittel beschädigt ist. Lassen Sie das Licht von einem Fachmann austauschen |
| Die Türen lassen sich nicht richtig schließen | Die Tür wird von Lebensmittelverpackungen blockiert Es wurden zu viele Lebensmittel hineingelegt Der Kühlschrank ist schief |
| Lautes Geräusch | Prüfen Sie, ob der Boden eben ist und ob der Kühlschrank stabil steht. Prüfen Sie, ob alle Zubehörteile an den richtigen Stellen angebracht sind |
| Die Türdichtung ist undicht | Entfernen Sie Fremdkörper von der Türdichtung Erhitzen Sie die Türdichtung und lassen Sie sie anschließend zur Reparatur abkühlen (oder mit einem Haartrockner abblasen oder ein heißes Handtuch zum Erwärmen verwenden) |
| Wasserschale läuft über | Es befinden sich zu viele Lebensmittel im Kühlraum oder die gelagerten Lebensmittel enthalten zu viel Wasser, wodurch sie stark abgetaut werden Die Türen sind nicht richtig geschlossen, weshalb es durch den Lufteintritt zu Vereisungen und durch das Abtauen zu Wasseransammlungen kommt |
| Warmes Gehäuse | Wärmeabgabe des eingebauten Kondensators erfolgt über das Gehäuse, das ist normal Wenn das Gehäuse aufgrund einer hohen Umgebungstemperatur, zu viel gelagerten Lebensmitteln oder der Abschaltung des Kompressors heiß wird, sorgen Sie für eine gute Belüftung, um die Wärmeabfuhr zu erleichtern |
| Kondenswasserbildung an der Oberfläche | Kondensation an der Außenfläche und den Türdichtungen des Kühlschranks ist normal, wenn die Umgebungsfeuchtigkeit zu hoch ist. Wischen Sie das Kondenswasser einfach mit einem sauberen Handtuch ab. |
| Ungewöhnliche Geräusche | Brummen: Der Kompressor kann während des Betriebs Brummgeräusche erzeugen, die besonders beim Einschalten oder Abschalten laut sind. Das ist normal. Quietschen: Das Kältemittel, das im Inneren des Geräts fließt, kann ein Quietschen verursachen, das ist normal. |

Tabelle 1: Klimaklassen

| Klasse | Symbol | Umgebungstemperaturbereich °C |
|-----------------------------|-----------|-------------------------------|
| Erweitert temperiert | SN | + 10 bis + 32 |
| Temperiert | N | + 16 bis + 32 |
| Subtropisch | ST | + 16 bis + 38 |
| Tropisch | T | + 16 bis + 43 |

Erweiterte Temperierung: Dieses Kühlgerät ist für die Verwendung bei Umgebungstemperaturen von 10 °C bis 32 °C vorgesehen.

Dieses Kühlgerät ist für die Verwendung bei Umgebungstemperaturen von 16 °C bis 32 °C vorgesehen.

Subtropisch: Dieses Kühlgerät ist für die Verwendung bei Umgebungstemperaturen von 16 °C bis 38 °C vorgesehen.

Tropisch: Dieses Kühlgerät ist für die Verwendung bei Umgebungstemperaturen von 16 °C bis 43 °C vorgesehen.

Speziell für die neue Europäische Norm:

Die in der folgenden Tabelle aufgeführten Komponenten können über den Vertriebskanal bezogen werden _:

| Bestellter Artikel | Bereitgestellt von | Erforderliche Mindestzeit für die Bereitstellung |
|--------------------|--|--|
| Thermostate | Fachkundiges Wartungspersonal | Mindestens 7 Jahre nach der Markteinführung des letzten Modells |
| Temperaturfühler | Fachkundiges Wartungspersonal | Mindestens 7 Jahre nach der Markteinführung des letzten Modells |
| Leiterplatten | Fachkundiges Wartungspersonal | Mindestens 7 Jahre nach der Markteinführung des letzten Modells |
| Leuchtmittel | Fachkundiges Wartungspersonal | Mindestens 7 Jahre nach der Markteinführung des letzten Modells |
| Türgriffe | Fachkundige Reparaturbetriebe und Endverbraucher | Mindestens 7 Jahre nach der Markteinführung des letzten Modells |
| Türscharniere | Fachkundige Reparaturbetriebe und Endverbraucher | Mindestens 7 Jahre nach der Markteinführung des letzten Modells |
| Schalen | Fachkundige Reparaturbetriebe und Endverbraucher | Mindestens 7 Jahre nach der Markteinführung des letzten Modells |
| Körbe | Fachkundige Reparaturbetriebe und Endverbraucher | Mindestens 7 Jahre nach der Markteinführung des letzten Modells |
| Türdichtungen | Fachkundige Reparaturbetriebe und Endverbraucher | Mindestens 10 Jahre nach der Markteinführung des letzten Modells |

Sehr geehrte Kundin, sehr geehrter Kunde

1. Wenn Sie das Produkt zurückgeben oder ersetzen möchten, wenden Sie sich bitte an das Geschäft, in dem Sie das Produkt erworben haben.

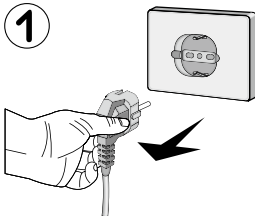
(Bringen Sie bitte die Rechnung mit)

2. Wenn Ihr Produkt defekt ist und repariert werden muss, wenden Sie sich bitte an den Kundendienst.

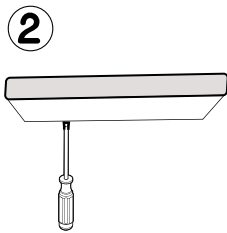
Telefon:

E-Mail-Adresse:

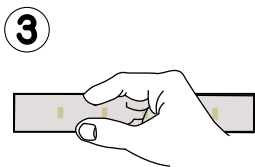
- EN** Light source in this product is replaceable only by qualified engineers.
- PT** A fonte de luz neste produto apenas pode ser substituída por engenheiros qualificados.
- ES** La fuente de luz de este producto sólo puede ser sustituida por ingenieros cualificados.
- FR** La source lumineuse de ce produit ne peut être remplacée que par des techniciens qualifiés.
- DE** Die Leuchtmittel dieses Geräts dürfen nur von qualifizierten Technikern ausgetauscht werden.



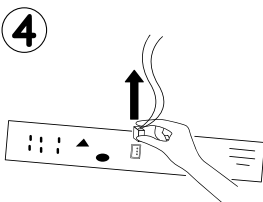
- EN** Please take out the plug before removal.
- PT** Retire a ficha antes de a remover.
- ES** Por favor, desenchufe antes de retirar nada.
- FR** Veuillez retirer la fiche avant d'enlever l'ampoule.
- DE** Ziehen Sie den Netzstecker heraus, bevor Sie die LED-Lampen entfernen.



- EN** Remove the lampshade with a screwdriver.
- PT** Retire a proteção da lâmpada com uma chave de fendas.
- ES** Retire la cubierta de la bombilla con un destornillador.
- FR** Retirez l'abat-jour à l'aide d'un tournevis.
- DE** Lösen Sie das Lampengehäuse mit einem Schraubendreher.



- EN** Take down the lamp panel.
- PT** Retire o painel da lâmpada.
- ES** Desmonte el panel de la bombilla.
- FR** Démontez le panneau de la lampe.
- DE** Nehmen Sie die Lampenblende ab.



- EN** Remove the connection terminal.
- PT** Retire o terminal de ligação.
- ES** Retire el terminal de conexión.
- FR** Retirez la borne de connexion.
- DE** Entfernen Sie die Anschlussklemme.

TeKa Subsidiaries

| Country Subsidiary | Address | City | Phone |
|---|--|---------------------------------------|-------------------|
| Austria Küppersbusch Austria | Eitnergasse, 13 | 1231 Wien | +43 18 668 022 |
| Belgium Küppersbusch Belgium S.P.R.L. | Doomveld Industrie, Asse 3, No. 11 - Boite 7 | 1731 Zellik | +32 24 668 740 |
| Bulgaria TeKa Bulgaria EOOD | Bldv. "Tsarigradsko Shosse" 135 | 1784 Sofia | +359 29 768 330 |
| Chile TeKa Chile S.A. | Avd El Retiro Parque los Maitenes, 1237. Parque Enea | Pudahuel, Santiago de Chile | + 56 24 386 000 |
| China TeKa International Trading (Shanghai) Co. Ltd. | No. 1506, Shengyuan Henghua Bldg. No. 200 Wending Rd. | Xuhui, Dist. 200030 Shanghai | +86 2 153 076 996 |
| Czech Republic TeKa CZ S.R.O. | V Holesovickách, 593 | 182 00 Praha 8 - Liben | +420 284 691 940 |
| Ecuador TeKa Ecuador S.A. | Parque Ind. California 2, Via a Daule Km 12 | Guayaquil | +593 42 100 311 |
| Greece TeKa Hellas A.E. | Thesi Roupaki - Aspropyrgos | 193 00 Athens | +30 2 109 760 283 |
| Hungary TeKa Hungary Kft. | Bajcsy Zsilinszky u. 53 | 1065 Budapest | +36 13 542 110 |
| Indonesia PT TeKa Buana | Jalan Menteng Raya, Kantor Taman A9 Unit A3 | 12950 Jakarta | +62 215 762 272 |
| Malaysia TeKa KÜchentechnik (Malaysia) Sdn Bhd | 10 Jalan Kartunis U1/47, Temasya Park, Off Glenmarie | 40150 Shah Alam, Selangor Darul Ehsan | +60 376 201 600 |
| Mexico TeKa Mexicana S.A. de C.V. | Ferrocarril 200, Esquina Norte 29, Col. Moctezuma | 15500 Mexico D.F. | +52 5 551 330 493 |
| Morocco TeKa Maroc S.A. | 73, Bd. Slimane, Dépôt 33, Route de Ain Sebaa | Casablanca | +212 22 674 462 |
| Peru TeKa KÜchentechnik Perú S.A. | Av. El Polo 670 local A 201, CC El polo, Surco | Lima | +51 14 363 078 |
| Poland TeKa Polska Sp. ZO.O. | ul. 3-go Maja 8 / A2 | 05-800 Pruszkow | +48 227 383 270 |
| Portugal TeKa Portugal S.A. | Estrada da Mota - Apdo 533 | 3834-909 Ilhavo, Aveiro | +35 1 234 329 500 |
| Romania S.C. TeKa KÜchentechnik Romania S.R.L. | Sevastopol str., no 24, 5th floor, of. 15 | 010992 Bucharest Sector 1 | +40 212 334 450 |
| Russia/Россия TeKa Rus LLC/OOO "TeKa Pyc" | Neverovskovo 9, Office 417, 121170, Moscow, Russia | 121087 Россия, Москва | +7 4 956 450 064 |
| Singapore TeKa Singapore PTE Ltd | Clemenceau Avenue, 83, 01-33/34 UE Square | 239920 Singapore | +65 67 342 415 |
| Spain TeKa Industrial, S.A. | C/ Cajo,17 | 39011 Santander | +34 942 355 050 |
| Thailand TeKa (Thailand) Co. Ltd. | 364/8 Sri-Ayuttaya Road, Phayathai, Ratchatavee | 10400 Bangkok | +66 -26 424 888 |
| Turkey TeKa Teknik Mutfak Aletleri Sanayi Ve | Büyükdere Cad. 24/13 | 80290 Mecidiyeköy, Istanbul | +90 2 122 883 134 |
| Ukraine TeKa Ukraine LLC | 86-e, Bozhenko Str. 2nd floor, 4th entrance | 03150 Kyiv | +380 444 960 680 |
| United Arab Emirates TeKa Middle East Fze | Building LOB 16, Office 417 | P.O. Box 18251 Dubai | +971 48 872 912 |
| United Arab Emirates TeKa KÜchentechnik U.A.E LLC | Bin Khedia Centre | P.O. Box 35142 Dubai | +971 42 833 047 |
| Venezuela TeKa Andina S.A. | Ctra. Petare-Santa Lucia, km 3 (El Limoncito) | 1070 Caracas | +58 2 122 912 821 |
| Vietnam TEKA Vietnam Co., Ltd. | 803, Floor 8th, Daiminh Convention Center, 77, Hoang Van Thai, Tan Phu Ward, District 7, Ho Chi Minh | | +84 854 160 646 |





www.teka.com

16131000A07523