



**TEKA**

User Manual

LI6 1470/LI6 1480/W6508.0v

**EN ES**

[www.teka.com](http://www.teka.com)

# CONTENTS

---

## SAFETY INSTRUCTIONS

- Safety Instructions ..... 2

## INSTALLATION

- Product Description ..... 9
- Installation ..... 10

## OPERATION

- Quick Start ..... 13
- Before Each Washing ..... 15
- Detergent Dispenser ..... 16
- Control Panel ..... 18
- Programmes.....19
- Option..... 23

## MAINTENANCE

- Cleaning and Care ..... 26
- Trouble Shooting ..... 29
- Technical Specifications ..... 30
- Product Fiche ..... 31
- Built-in installation ..... 34



# SAFETY INSTRUCTIONS

---

## ■ Safety Instructions

Please read the following safety information thoroughly and follow it strictly to minimize the risk of fire or explosion, electric shock and to prevent property damage, personal injury or loss of life. Failing to follow these instructions shall void any warranty.

### Warning!

This combination of symbol and signal word indicates a potentially dangerous situation which may result in death or serious injuries unless it's avoided.

### Caution!

This combination of symbol and signal word indicates a potentially dangerous situation which may result in slight or minor injuries or damage to property and the environment.

### Note!

This combination of symbol and signal word indicates a potentially dangerous situation which may result in slight or minor injuries.

### Warning!

#### **ELECTRIC SHOCK HAZARD**

- If the supply cord is damaged, it must be replaced by the manufacturer, its service agent or similarly qualified persons in order to avoid a hazard.
  - If the machine is damaged, it must not be operated unless repaired by the manufacturer, its service agent or similarly qualified persons.
- Risk of electric shock!

# SAFETY INSTRUCTIONS

---

- The appliance can be used by children aged from 8 years and above and persons with reduced physical, sensory or mental capabilities or lack of experience and knowledge if they have been given supervision or instruction concerning use of the appliance in a safe way and understand the hazards involved. Children shall not play with the appliance. Cleaning and user maintenance shall not be made by children without supervision.
- Children should be supervised that they do not play with the appliance.
- Children 3 years and under shall be kept away from the appliance or continuously supervised.
- Animals and children may climb into the machine. Check the machine before every operation.
- Do not climb or sit on the appliance.

## INSTALLATION LOCATION AND SURROUNDING

- All washing and additional substances are to be kept in a safe place out of the reach of children.
- Do not install the machine on a carpet floor. The obstruction of the openings by a carpet can damage the machine.
- Keep the appliance clear from heating sources and direct sunlight to avoid plastic and rubber parts to corrode.
- Do not use the appliance in humid environments or rooms containing explosive or caustic gas. In case of water leakage or water splashes let the appliance dry in the open air.
- The appliance must not be installed behind a lockable door, a sliding door or a door with a hinge on the opposite side to that of the washing machine.

# SAFETY INSTRUCTIONS

---

- Do not operate the machine in rooms with a temperature of below 5°C. This can cause damages to parts of it. If it is unavoidable, make sure to drain the water completely from the appliance after every use (see „Maintenance - Cleaning of drain pump filter“) to avoid damages caused by frost.
- Never use flammable sprays or substances in the immediate proximity of the appliance.

## INSTALLATION

- Remove all packaging material and transport bolts before using the appliance. Otherwise, serious damage may result.
- This appliance is equipped with a single inlet valve and can be connected to the cold water supply only.
- Mains plug must be accessible after installation.
- Before washing clothes for the first time, the product shall be operated once throughout all the procedures without any clothes inside.
- Before using the washing machine, the product shall be calibrated.
- Do not put any excessively heavy objects on the appliance, like water containers or heating devices.
- The new hose-sets supplied with the appliance are to be used and that old hose-sets should not be reused.
- Max. Inlet water pressure 1 MPa. Min. inlet water pressure 0.05 MPa.

## ELECTRICAL CONNECTION

- Make sure the supply cable is not trapped by the machine, it can get damaged.
- Connect the product to a grounded outlet protected by a fuse complying with the values in the “ Technical specifications “ table. The grounding installation has to be made by a qualified electrician. Ensure that the machine is installed in accordance with the local regulations.

# SAFETY INSTRUCTIONS

---

•Water and electrical connections must be carried out by a qualified technician in accordance with the manufacturer's instructions and local safety regulations.

## Warning!

- Don't use multiple plugs or extension cords.
- The appliance must not have an external switching device such as a timer or connected to a circuit that is regularly switched on and off.
- Do not pull the plug out of the mains outlet if there is flammable gas around.
- Never pull out power plug with wet hands.
- Always pull at the plug, not at the cable.
- Always unplug the appliance if it is not being used.

## WATER CONNECTIONS

- Check the connections of the water inlet tubes, the water tap and the outlet hose for possible problems due to changes of water pressure. If the connections loosen or leak close the water tap and get it repaired. Do not use the appliance before the pipes and hoses are installed properly by qualified persons.
- Glass door may become very hot during the operation. Keep children and pets far away from the machine while it is operating.
- The water inlet and outlet hoses have to be safely installed and remain undamaged. Otherwise, water leakage can occur.
- Do not remove the drain pump filter while there is still water in the appliance. Big quantities of water can leak out, and there is a risk of scalding due to hot water.

# SAFETY INSTRUCTIONS

---

## OPERATION AND MAINTENANCE

- Never use any flammable, explosive or toxic solvents. Do not use gasoline and alcohol etc. as detergents. Only select detergents that are suitable for machine washing.
- Make sure that all pockets are emptied. Sharp and rigid items such as coins, brooches, nails, screws, stones etc. may cause serious damages to this machine.
- Remove all objects from pockets such as lighters and matches before use the appliance.
- Thoroughly rinse items that have been washed by hand.
- Items that have been soiled with substances such as cooking oil, acetone, alcohol, petrol, kerosene, spot removers, turpentine, wax and wax removers should be washed in hot with an extra amount of detergent before being dried in the appliance.
- Items containing foam rubber (latex foam), shower caps, water proof textiles, rubber backed articles and clothes or pillows fitted with foam rubber pads should not be dried in the machine
- Fabric softeners or similar products should be used as recommended in their instructions.
- Never try to open the door forcefully. The door will unlock shortly after the end of a cycle.
- Please do not close the door with excessive force. If it is found difficult to close the door, please check if the clothes are properly inserted and distributed.

# SAFETY INSTRUCTIONS

---

- Always unplug the appliance and close the water tap before cleaning and maintenance and after each use.
- Never pour water over the appliance for cleaning purpose. Risk of electric shock!
- Repairs shall only be carried out by the manufacturer, its service agent or similarly qualified persons in order to avoid a hazard. The producer will not be responsible for damages caused by the intervention of not authorized persons.

## TRANSPORT

- Before Transport:
  - Bolts shall be reinstalled to the machine by a specialized person
  - Accumulated water shall be drained out of the machine
- This appliance is heavy. Transport with care. Never hold any protruding part of the machine when lifting. The machine door cannot be used as a handle.

## INTENDED USE

The product is intended only for home use and for textiles in household amounts suitable for machine washing and drying. This appliance is for indoor use only and not intended for built in use. Only use according to these instructions. The appliance is not intended for commercial use.

Any other use is considered as improper use. The producer is not responsible for any damage or injuries that may result of it.

- This appliance is intended to be used in household and similar applications such as:
  - Staff kitchen areas in shops, offices and other working environments;
  - Farm houses;
  - By clients in hotels, motels and other residential type environments;
  - Bed and breakfast type environments;
  - Areas for communal use in blocks of flats or in launderettes.

# SAFETY INSTRUCTIONS

---

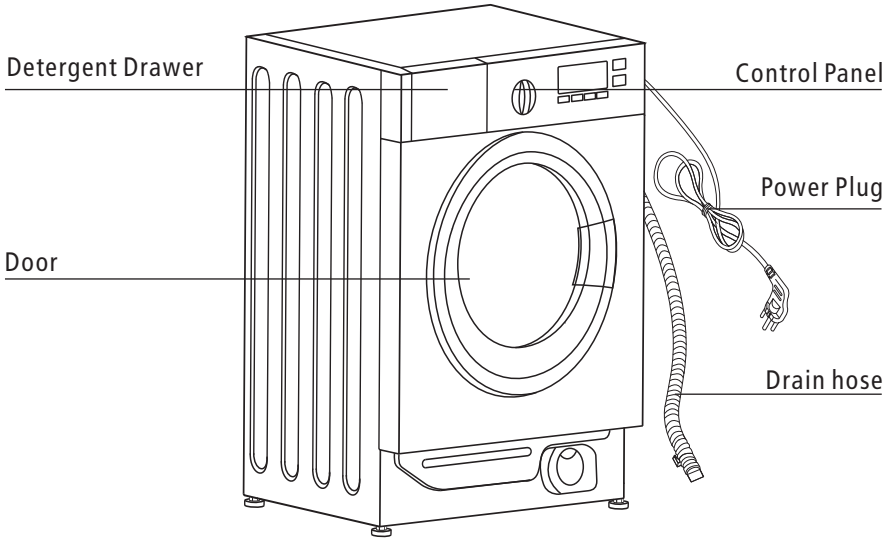
## Packaging/Old appliance



This marking indicates that this product should not be disposed with other household wastes throughout the EU. To prevent possible harm to the environment or human health from uncontrolled waste disposal, recycle it responsibly to promote the sustainable reuse of material resources. To return your used device, please use the collection systems or contact the retailer where the product was purchased. They return and can take this product for environmental safe recycling.

# INSTALLATION

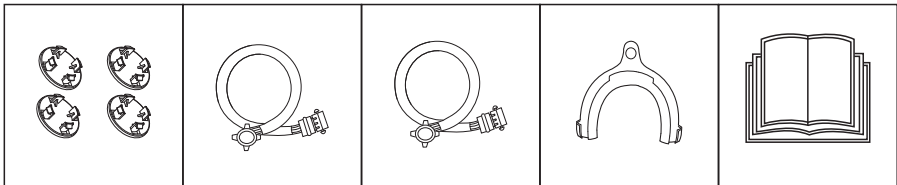
## ■ Product Description



### Note!

- The product line chart is for reference only, please refer to real product as standard.

## Accessories



Transport hole plug

Supply hose cold water

Supply hose hot water (optional)

Drain hose support (optional)

Owner's manual



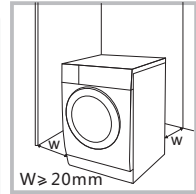
# INSTALLATION

## ■ Installation

### Installation area

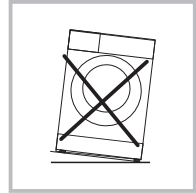
#### ⚠ Warning!

- Stability is important to prevent the product from wandering! Make sure the machine is standing leveled and stable.
- Make sure that the product does not stand onto the power cord.
- Make sure to maintain the minimum distances from the walls as shown in the picture



Before installing the machine, the location characterized as follows shall be selected:

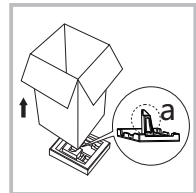
1. Rigid, dry, and level surface
2. Avoid direct sunlight
3. Sufficient ventilation
4. Room temperature is above 0°C
5. Keep far away from the heat sources such as coal or gas burning appliances.



### Unpacking the washing machine

#### ⚠ Warning!

- Packaging material (e.g. Films, Styrofoam) can be dangerous for children.
- There is a risk of suffocation ! Keep all packaging well away from children.



1. Remove the cardboard box and styrofoam packing.
2. Lift the washing machine and remove the base packaging. Make sure the small triangle foam (a) is removed with the bottom packaging together. If not, lay the unit down on the side surface and remove it manually.
3. Remove the tape securing the power supply cord and drain hose.
4. Remove the inlet hose from the drum.

# INSTALLATION

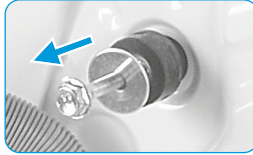
## Remove transport bolts

### ⚠ Warning!

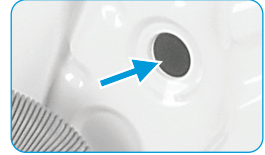
- You must remove the transport bolts from the backside before using the product.



Loosen the 4 transport bolts with a spanner.



Remove the bolts including the rubber parts and keep them for future use.

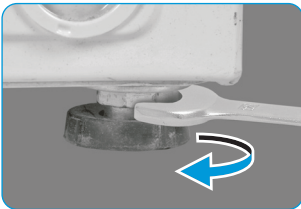


Close the holes using the cover caps.

## Levelling the washing machine

### ⚠ Warning!

- The lock nuts on all four feet must be screwed tightly against the housing.



1. Loosen the lock nut.
2. Turn the foot until it reaches the floor.
3. Adjust the legs and lock the nuts with a spanner. Make sure the machine is level and steady.

## Connect the water supply hose

### ⚠ Warning!

To prevent leakage or water damage, follow the instructions in this chapter

- Do not kink, crush or modify water inlet hose.



Connect the water supply hose to the water inlet valve and a water tap with cold water as indicated.



### 🔧 Note!

- Connect manually, do not use tools. Check if the connections are tight.

# INSTALLATION

---

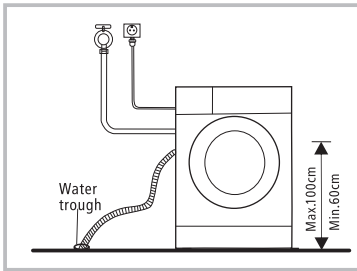
## Drain Hose

### Warning!

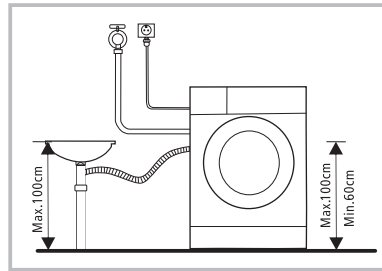
- Do not kink or protract the drain hose.
- Position drain hose properly ,otherwise damage might result of water leakage.

There are two ways to place the end of drain hose:

1.Put it into the water trough.



2.Connect it to the branch drain pipe of the trough.



# OPERATION

---

## ■ Quick Start

### ⚠ Caution!

- Before washing, please make sure the washing machine is installed properly.
- Your appliance was thoroughly checked before it left the factory. To remove any residual water and to neutralize potential odors, it's recommended to clean your appliance before first use. For this reason, start the Cotton program at 90°C without laundry and detergent.

### 📌 Calibration

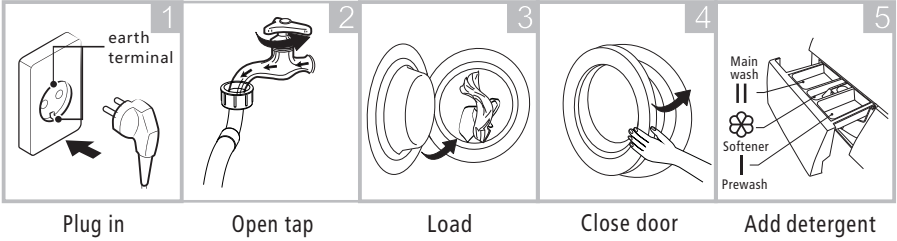
It's recommended to calibrate the washing machine, so that provide the best performance.

The appliance is able to detect the amount of laundry loaded. This function is optimizing the product performance by minimizing energy and water consumption, saving you money and time. For this reason it's recommended to calibrate the appliance for best use.

- 1- Remove all accessories from the drum and close the door;
- 2- Insert the mains plug to the socket;
- 3- Switch on the washing machine and press "Speed" and "Delay" simultaneously for 10 seconds until "t19" is displayed;
- 4- Press [▷||] to start the appliance and wait till "\*\*\*\*\*" is displayed.
- 5- The machine MFG60-S1206/C20E-EU(NE) does not need calibrate , so step 1 to step 4 can be skipped.

# OPERATION

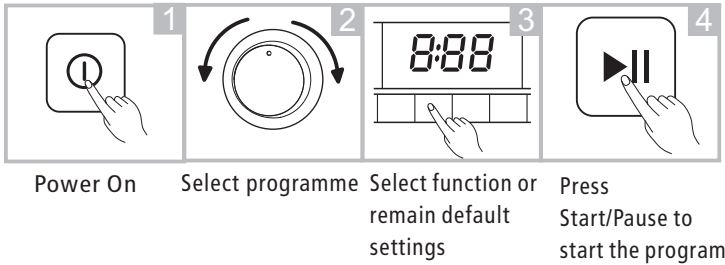
## 1. Before Washing



### Note!

- Detergent need to be added in compartment I if the pre-wash function is selected.

## 2. Washing



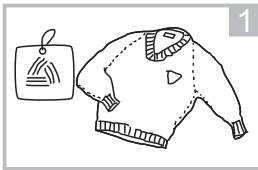
## 3. After Washing

Buzzer beep and "End" on display.

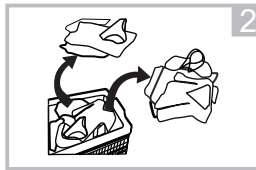
# OPERATION

## ■ Before Each Washing

- The ambient temperature of the washing machine should be 5-40°C. If used under 0°C, the inlet valve and draining system may be damaged. If the machine is installed under freezing conditions, it should be transferred to normal ambient temperature to ensure the water supply hose and drain hose can unfreeze before use.
- Please check your laundry care labels and the detergent use instructions before wash. Use non-foaming or less-foaming detergent suitable for machine washing properly.



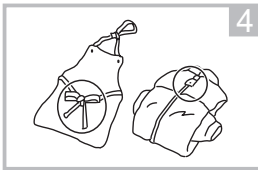
Check the care label



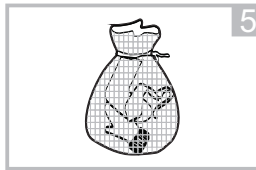
Sort laundry according to color and textile type



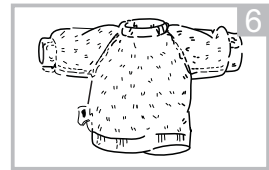
Take all items out of the pockets



Tie together long textile strips and belts, close zips and button



Put small items into a laundry bag



Turn easy-pilling and long-pile fabric inside out

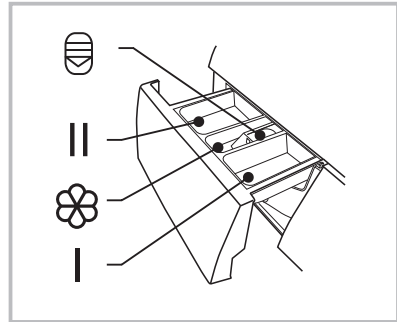
### ⚠ Warning!

- Do not wash or dry articles that have been cleaned in, washed in, soaked in, or dabbed with combustible or explosive substances like wax, oil, paint, gasoline, alcohol, kerosene, and other flammable materials.
- Washing single clothes items may easily create big eccentricity and cause alarm due to unbalance. Therefore it is suggested to add one or two more laundry items to the wash so that spin can be done smoothly.

# OPERATION

## ■ Detergent Dispenser

- I Pre wash
- II Main wash
- ☼ Softener
- ⊖ Release button to pull out the dispenser



### ⚠ Caution!

- Detergent only need to be added in "compartment I "after selecting pre-wash function.

Programme	I	II	☼	Programme	I	II	☼
Quick 15		●	○	Baby Care	○	●	○
Rapid 45	○	●	○	Wool		●	○
20°C		●	○	Delicate		●	○
Jeans	○	●	○	Mixed	○	●	○
Eco 40-60		●	○	Synthetic	○	●	○
Intensive		●	○	Sports	○	●	○
Rinse&Spin			○	Cotton	○	●	○
Spin Only							

● Means must      ○ Means optional

# OPERATION

## Detergent Recommendation

Recommended washing detergent	Wash cycles	Washing temp.	Type of laundry and textile
Heavy-duty detergent with bleaching agents and optical brighteners	Cotton, ECO 40-60, Intensive	40/60	White laundry made from boil-proof cotton or linen
Colour detergent without bleaching agent and optical brighteners	Intensive, Cotton, ECO 40-60, Mixed, 20°C	20/30/40/60	Coloured laundry made from cotton or linen
Color or mild detergent without optical brighteners	20°C, Synthetic	Cold/20/30/40	Coloured laundry made from easy care fibres or synthetic materials
Mild washing detergent	Synthetic	20/30	Delicate textiles, silk, viscose
Special wool detergent	Wool	20/30/40	Wool

### Note!

- Agglomerating or ropy detergent or additive can be diluted in some water before pouring it into the detergent dispenser, to avoid its inlet to get blocked and thus cause a water overflow.
- Please choose the suitable type of detergent to get a maximum of washing performance and a minimum of water and energy consumption
- To achieve the best cleaning result a proper detergent dosing is important.
- Use a reduced detergent amount if the drum is not filled completely.
- Always adjust the amount of detergent to the water hardness, if your tap water is soft, use less detergent.
- Dose according to how dirty your laundry is, less dirty clothes require less detergent.
- Highly concentrated (compact detergent) requires particularly accurate dosing.

Following symptoms are a sign of detergent overdosing:

- heavy foam formation
- poor washing and rinsing result

Following symptoms are a sign of detergent underdosing:

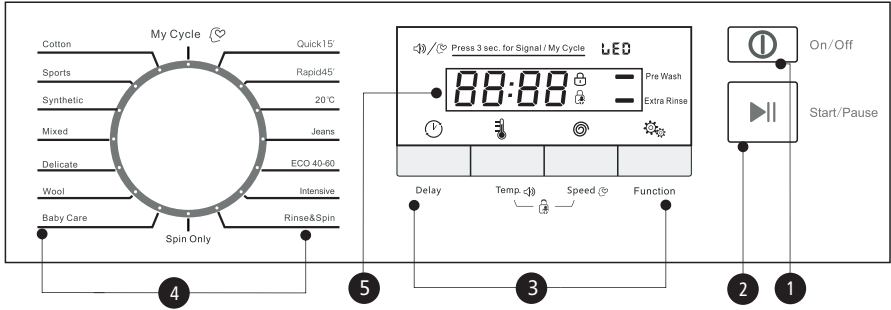
- laundry turns grey
- built-up of limescale deposits on the drum, the heating element and/or the laundry



# OPERATION

## Control Panel

Model: LI6 1480/LI6 1470/W6508.0v



### Note!

- The chart is for reference only, Please refer to real product as standard.

#### 1 Power

Product is on/off.

#### 2 Start/Pause

Press the button to start or pause the washing cycle.

#### 3 Option

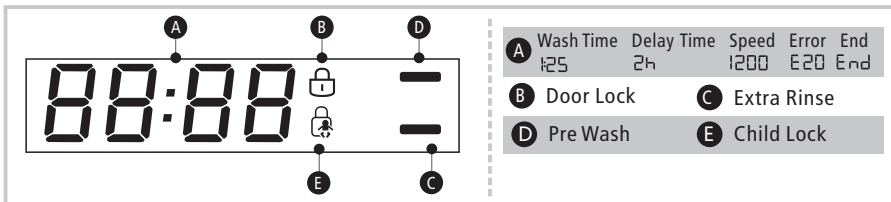
This allows you to select an additional function and will light when selected.

#### 4 Programmes

Available according to the laundry type.

#### 5 Display

The display shows the settings, estimated time remaining, options, and status messages for your washer. The display will remain on through the cycle.



# OPERATION

## ■ Programmes

Model:LI6 1470

Programme	Washing/Drying Load (kg)	Display Time(H)
	7.0	7.0
		1400
Quick 15	2.0	0:15
Rapid 45	2.0	0:45
20°C	3.5	1:01
Jeans	7.0	1:45
Eco 40-60	7.0	3:25
Intensive	7.0	3:48
Rinse&Spin	7.0	0:20
Spin Only	7.0	0:12
Baby Care	7.0	1:43
Wool	2.0	1:07
Delicate	2.5	0:50
Mixed	7.0	1:20
Synthetic	3.5	3:18
Sports	3.5	1:11
Cotton	7.0	3:49

- The above data is for reference only, and the data may change due to different actual use conditions.
- The valves given for programmes other than the ECO 40-60 programme are indicative only.
- Concerning to EN 60456:2016 With (EU)No.1061/2010,  
The EU energy efficiency class is: A+++  
Energy test program: Intensive;Speed:The highest speed;Temp.: 60°C/40°C;  
Other as the default.Half load for 7.0Kg machine:3.5Kg.

### Note!

- The parameters in this table are only for user's reference. The actual parameters maybe different with the parameters in above mentioned table.

# OPERATION

## ■ Programmes

Model:LI6 1480/W6508.0v

Programme	Washing/Drying Load (kg)	Display Time(H)
	8.0	8.0
		1400
Quick 15	2.0	0:15
Rapid 45	2.0	0:45
20°C	4.0	1:01
Jeans	8.0	1:45
Eco 40-60	8.0	3:35
Intensive	8.0	3:48
Rinse&Spin	8.0	0:20
Spin Only	8.0	0:12
Baby Care	8.0	1:43
Wool	2.0	1:07
Delicate	2.5	0:50
Mixed	8.0	1:20
Synthetic	4.0	3:18
Sports	4.0	1:11
Cotton	8.0	3:49

- The above data is for reference only, and the data may change due to different actual use conditions.
- The valves given for programmes other than the ECO 40-60 programme are indicative only.
- Concerning to EN 60456:2016 With (EU)No.1061/2010,  
The EU energy efficiency class is: A+++  
Energy test program: Intensive;Speed:The highest speed;Temp.: 60°C/40°C;  
Other as the default.Half load for 8.0Kg machine:4.0Kg.

### Note!

- The parameters in this table are only for user's reference. The actual parameters maybe different with the parameters in above mentioned table.

# OPERATION

---

- 1) The highest temperature reached by the laundry in the wash cycle for at least 5 minutes.
- 2) Residual moisture after the wash cycle in water content percent and the spin speed at which this was achieved.
- 3) The ECO 40-60 programme is able to clean normally soiled cotton laundry declared to be washable at 40°C or 60°C, together in the same cycle. This programme is used to assess the compliance with the regulation (EU) 2019/2023.

The most efficient programmes in terms of energy consumption are generally those that perform at lower temperatures and longer duration.

Loading the household washing machine up to the capacity indicated for the respective programmes will contribute to energy and water savings.

Noise and remaining moisture content are influenced by the spinning speed: the higher the spinning speed in the spinning phase, the higher the noise and the lower the remaining moisture content.

## Caution!

- If there is any break in the power supply while the machine is operating, a special memory stores the selected programme. The machine will continue the programme when the power supply is re-established.

# OPERATION

---

## ■ Programmes

Programmes are available according to the laundry type.

Programmes	
Cotton	Hard-wearing textiles, heat-resistant textiles made of cotton or linen.
Rapid 45'	Washing few and not very dirty clothes quickly.
Synthetic	Wash synthetic articles, for example: shirts, coats, blending. While washing the knitting textiles, detergent quantity shall be reduced due to its loose string construction and easily forming bubbles.
Baby Care	Washing the baby's clothes, it can make the baby's wear cleaner. and make the rinse performance better to protect the baby skin.
Jeans	Specially for jeans.
Mixed	Mixed load consisting of textiles made of cotton and synthetics.
20°C	Washing brightly colored clothes, it can protect the colors better .
Sports	Washing the activewear.
Quick 15'	Extra short programme approx, suitable for lightly soiled washing as a small amounts of laundry.
Delicate	For delicate, washable textiles, e.g. made of silk, satin, synthetic fibres or blended fabrics.
Wool	Hand or machine-washable wool or richwool textiles. Especially gentle wash programme to prevent shrinkage, longer programme pauses (textiles rest in wash liquor).
Spin Only	Extra spin with selectable spin speed.
Rinse&Spin	Extra rinse with spin.
Eco 40-60	Washing brightly colored clothes, it can protect the colors better. Default 40°C, not selectable, suitable for laundry washing at about 40°C-60°C.
Intensive	To increase the washing effects, washing time is increased.

---

# OPERATION

## ■ Option

Cycle	Default Temp.(°C)	Default spin speed in rpm		Additional functions
Wash cycles		1200	1400	
Quick 15	Cold	800	800	Delay,
Rapid 45	40	800	800	Delay, Pre Wash, Extra Rinse,
20°C	20	1000	1000	Delay, Extra Rinse,
Jeans	60	1000	1000	Delay, Pre Wash, Extra Rinse,
Eco 40-60	--	1200	1400	Delay,
Intensive	40	800	800	Delay,
Rinse&Spin	--	1000	1000	Delay, Extra Rinse,
Spin Only	--	1000	1000	Delay,
Baby Care	60	800	800	Delay, Pre Wash, Extra Rinse,
Wool	40	600	600	Delay, Extra Rinse,
Delicate	30	600	600	Delay, Extra Rinse,
Mixed	40	800	800	Delay, Pre Wash, Extra Rinse,
Synthetic	40	800	1200	Delay, Pre Wash, Extra Rinse,
Sports	40	800	800	Delay, Pre Wash, Extra Rinse,
Cotton	40	800	1400	Delay, Pre Wash, Extra Rinse,

### Note!

- For the maximum spin speed, program time, and other details of the ECO 40-60 program, please refer to the content on the Product Fiche page.
- The table shows which cycle offers which options for adjustment. If an adjustment is not possible for a cycle.

# OPERATION

---

Delay

## Delay

Set the Delay function:

1. Select a programme
2. Press the Delay button to choose the time (the delaying time is 0-24 H.)
3. Press [Start/Pause] to commence the delay operation



On/Off



Choose the Programme



Setting time



Start

Cancel the Delay function:

Press the [Delay] button until the display be 0H. It should be pressed before starting the programme. If the programme already started, should press the [On/Off] button to reset the programme.

---

Pre Wash

## Pre Wash

The Prewash function can get an extra wash before main wash.

---

Extra Rinse

## Extra Rinse

The laundry will undergo extra rinse once after you select it.

---

Speed

## Speed

Press the button to change the spin speed.

---

Temp.

## Temp.


When needed, the washing temperature can be adjusted by pressing the temperature button in the following steps: Cold - 20°C - 30°C - 40°C - 60°C - 90°C.

---



## My Cycle

Memory the frequently used programmes

Press [  ] 3sec. to memory the running programme. The default is cotton.

---

# OPERATION

---



## Child Lock

To avoid mis operation by children.



On/Off



Start/Pause



Press [Temp.] and [Speed]  
3 sec. till buzzer beep.



## ⚠ Caution!

- Press the two button 3sec. also to be released the function.
- The "Child Lock" will lock all buttons except [On/Off].
- Cut off the power supply , the kid's protection is to be released.
- The child lock will remain effective when the power is resumed for some models.



## Mute the buzzer



On/Off



Start/Pause



Press the [Temp.]button for 3sec.the buzzer  
is mute.

To act the buzzer function, press the button again for 3 seconds. The setting  
will be kept until the next reset.

## ⚠ Caution!

- After Muting the buzzer function, the sounds will not be activated any more.



# MAINTENANCE

---

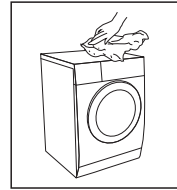
## ■ Cleaning and Care

### ⚠ Warning!

- Always unplug the appliance and close the water tap before cleaning and maintenance.

### Cleaning the Cabinet

Proper maintenance on the washing machine can extend its working life. The surface can be cleaned with diluted non-abrasive neutral detergents when necessary. If there is any water overflow, use a cloth to wipe it off immediately. Never use sharp items to clean the appliance.



### ⚠ Caution!

- Never use abrasive or caustic agents, formic acids or its diluted solvents or similar substances, like alcohol or chemical products.

### Cleaning the Drum

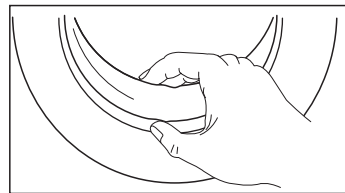
Any rust stains left inside the drum by metal articles must be removed immediately using chlorine-free detergents. Never use steel wool for cleaning the drum!

### 📌 Note!

- Keep any laundry away from the machine while cleaning the drum.

### Cleaning the Door Seal and Glass

Wipe the glass and seal after each wash to remove lint and stains. If lint builds up it can cause leakages. Remove any coins, buttons and other objects from the seal after each wash. Clean the Door Seal and Glass every month to ensure the normal operation of the appliance.



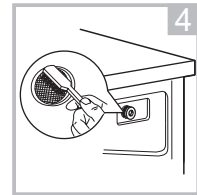
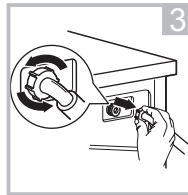
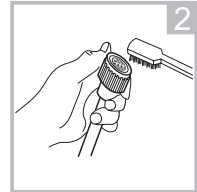
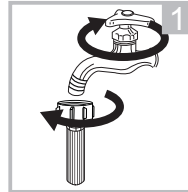
# MAINTENANCE

## Cleaning the Inlet Filter

### Note!

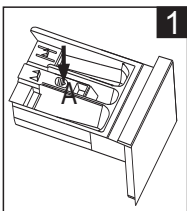
- Diminishing water flow is a sign that the filter need to be cleaned.

1. Close the tap and remove the water supply hose from it.
2. Clean the filter with a brush.
3. Unscrew the water supply hose from the backside of the machine. Pull out the filter with long nose pliers.
4. Use a brush to clean the filter.
5. Reinstall the filter to the water inlet and reconnect the water supply hose.
6. Clean the Inlet filter every 3 months to ensure the normal operation of the appliance.

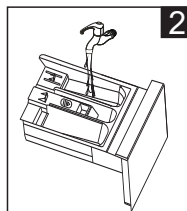


## Clean The Detergent Dispenser

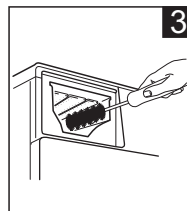
1. Press down the arrow location on softener cover inside the dispenser drawer.
2. Lift the clip up and take out softener cover and wash all grooves with water.
3. Restore the softener cover and push the drawer into position.



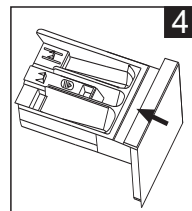
Pull out the dispenser drawer with press the A



Clean the dispenser drawer under water



Clean inside the recess with an old toothbrush



Insert the dispenser drawer

### Note!

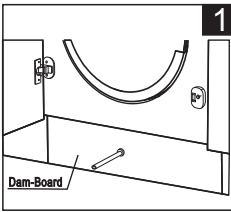
- Do not use abrasive or caustic agents to clean plastic parts.
- Clean the detergent dispenser every 3 months to ensure the normal operation of the appliance.

# MAINTENANCE

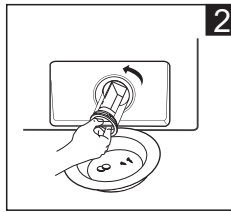
## Cleaning the Drain Pump Filter

### ⚠ Warning!

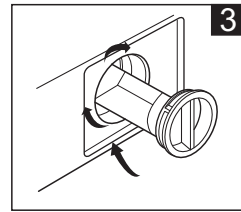
- Be careful of the hot water!
- Allow detergent solution to cool down.
- Unplug the machine to avoid electrical shock before washing.
- Drain pump filter can filter the yarns and small foreign matters from the washing.
- Clean the filter periodically to ensure the normal operation of washing machine.
- Clean the filter periodically every 3 months to ensure the normal operation of the appliance.



After the power is disconnected, pull out the Dam-Board.



Turn the filter down as shown with the figure and take out sundries matters.



Reinstall each part back after sundries matters are removed.

### ⚠ Caution!

- Make sure emergency drain hose cap and the emergency drain hose are reinstalled properly, otherwise water may leak.

# MAINTENANCE

---

## ■ Trouble Shooting

Whenever there is a problem with the appliance, check if you can solve it following the tables below. If the problem persists, please contact the customer service.

Description	Possible cause	Solution
Appliance does not start	Door is not closed properly. Clothes are stuck.	Close the door properly and restart. Check the laundry.
Door can't be opened	Safety protection is activated.	Disconnect the power and restart.
Water leakage	Connections are not tight enough.	Check and fasten the water inlet pipe. Check and clean the outlet hose.
Detergent residues in the detergent dispenser	Detergent is damp and/or clotted.	Clean and wipe the detergent dispenser dry.
Indicator or display does not work	PC board or harness have connection problems.	Switch off the power and check if the mains plug is connected properly.
Abnormal noise	Fixing bolts still in place. Floor is not solid or level.	Check if the fixing bolts have been removed Make sure the appliance is installed on a solid and level floor.

## Error Codes

Description	Possible cause	Solution
<b>E30</b>	Door is not closed properly	Close the door properly and restart.
<b>E10</b>	Water injecting problem during wash cycle.	Check if the water pressure is high enough. Straighten the water pipe. Clean the inlet valve filter.
<b>E21</b>	Overtime water draining	Check the drain hose for blockage.
<b>E12</b>	Water overflow	Restart the appliance.
<b>EXX</b>	Others	Restart the appliance. If problem persists, please contact the customer service.

---

# MAINTENANCE

## ■ Customer service

Spare part for your appliance are available for a minimum of 10 years.

In case of questions please contact our customer service at:

### Warning!

Risk of electric shock

- Never try repair an appliance which is defective or presumed to be defective. You may put your own and future users' lives in danger. Only authorised specialists are allowed to carry out this repair work.
- Improper repair will void the warranty and subsequent damages can't be recognized!

## Transport

### IMPORTANT STEPS WHEN MOVING THE APPLIANCE

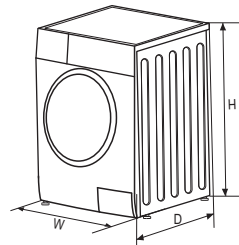
- Unplug the appliance and close the water inlet tap.
- Check, if the door and the detergent dispenser are closed properly.
- Remove the water inlet pipe and the outlet hose from the house installations.
- Let the water drain completely from the appliance (see "Maintenance Cleaning the drain pump filter")
- Important: Re-install the 4 transport bolts in the back of the appliance.
- This appliance is heavy. Transport with care. Never hold any protruding part of the machine when lifting. The machine door cannot be used as a handle.

## ■ Technical Specifications

Power Supply 220-240V~,50Hz

MAX.Current 10A

Standard Water Pressure 0.05MPa~1MPa



Model	Washing Capacity	Dimension (W*D*Hmm)	Net Weight	Rated Power
LI6 1470	7.0kg	595*540*825	63kg	1950W
LI6 1480/W6508.0v	8.0kg	595*540*825	63kg	1950W

# MAINTENANCE

## ■ Product Fiche

Product fiche concerning to Regulation (EU) No 1061/2010

Trade mark	
Model identifier	LI6 1470
Rated capacity in kg of cotton laundry	7
Energy efficiency class on a scale from A+++ (most efficient) bis D (least efficient)	A+++
Energy consumption 139kWh per year, based on 220 standard washing cycles for the standard cotton programmes at 60 °C and 40 °C at full and partial load, and the consumption of the low-power modes. Actual energy consumption will depend on how the appliance is used.	
Energy consumption of the standard 60°C cotton programme at full load	0.67kwh
Energy consumption of the standard 60°C cotton programme at partial load	0.59kwh
Energy consumption of the standard 40°C cotton programme at partial load	0.51kwh
Weighted power consumption of the off-mode	0.50W
Weighted power consumption of the left-on mode	1.00W
Water consumption 9900 litres per year, based on 220 standard washing cycles for the standard cotton programmes at 60 °C and 40 °C at full and partial load. Actual water consumption will depend on how the appliance is used.	
spin-drying efficiency class B on a scale from G (least efficient) to A (most efficient)	
maximum spin speed	1400
Remaining moisture content	53%
'Intensive 60°C programme' and the 'Intensive 40°C programme' are the standard washing programmes to which the information in the label and the fiche relates, that these programmes are suitable to clean normally soiled cotton laundry and that they are the most efficient programmes in terms of combined energy and water consumption.	
Programme time of the standard 60°C cotton programme at full load	280min
Programme time of the standard 60°C cotton programme at half load	270min
Programme time of the standard 40°C cotton programme at half load	270min
duration time of left-on mode	-
Airborne acoustical noise emissions during washing phase	56dB
Airborne acoustical noise emissions during spinning phase	78dB
'built-in' washing machine	yes

# MAINTENANCE

## ■ Product Fiche

Product fiche concerning to Regulation (EU) No 1061/2010

Trade mark	
Model identifier	LI6 1480/W6508.0v
Rated capacity in kg of cotton laundry	8
Energy efficiency class on a scale from A+++ (most efficient) bis D (least efficient)	A+++
Energy consumption 157 kWh per year, based on 220 standard washing cycles for the standard cotton programmes at 60 °C and 40 °C at full and partial load, and the consumption of the low-power modes. Actual energy consumption will depend on how the appliance is used.	
Energy consumption of the standard 60°C cotton programme at full load	0.75kwh
Energy consumption of the standard 60°C cotton programme at partial load	0.66kwh
Energy consumption of the standard 40°C cotton programme at partial load	0.62kwh
Weighted power consumption of the off-mode	0.50W
Weighted power consumption of the left-on mode	1.00W
Water consumption 11000 litres per year, based on 220 standard washing cycles for the standard cotton programmes at 60 °C and 40 °C at full and partial load. Actual water consumption will depend on how the appliance is used.	
spin-drying efficiency class B on a scale from G (least efficient) to A (most efficient)	
maximum spin speed	1400
Remaining moisture content	53%
'Intensive 60°C programme' and the 'Intensive 40°C programme' are the standard washing programmes to which the information in the label and the fiche relates, that these programmes are suitable to clean normally soiled cotton laundry and that they are the most efficient programmes in terms of combined energy and water consumption.	
Programme time of the standard 60°C cotton programme at full load	273min
Programme time of the standard 60°C cotton programme at half load	267min
Programme time of the standard 40°C cotton programme at half load	267min
duration time of left-on mode	-
Airborne acoustical noise emissions during washing phase	56dB
Airborne acoustical noise emissions during spinning phase	78dB
'built-in' washing machine	yes

# MAINTENANCE

---

- 1) The actual energy consumption will depend on how the appliance is used.
- 2) The actual water consumption will depend on how the appliance is used and on the hardness of the water.
- 3) Delivery of the spare parts within 15 working days after having received the order.

## Product Data Sheet concerning (EU) 2019/2014

The product data sheet for your appliance can be found online.

Go to <https://eprel.ec.europa.eu> and enter the model identifier for your appliance to download the data sheet.

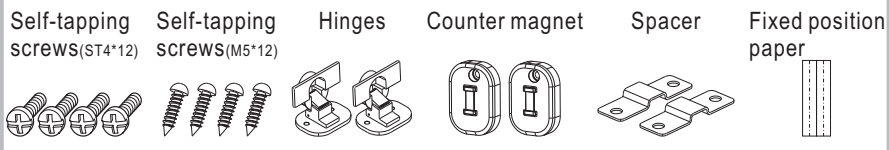
The model identifier for your appliance can be found in the technical specifications section.



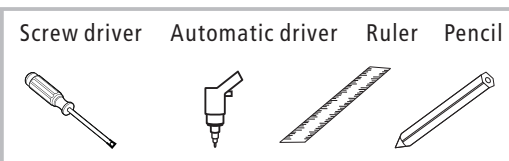
# MAINTENANCE

## ■ Built-in installation

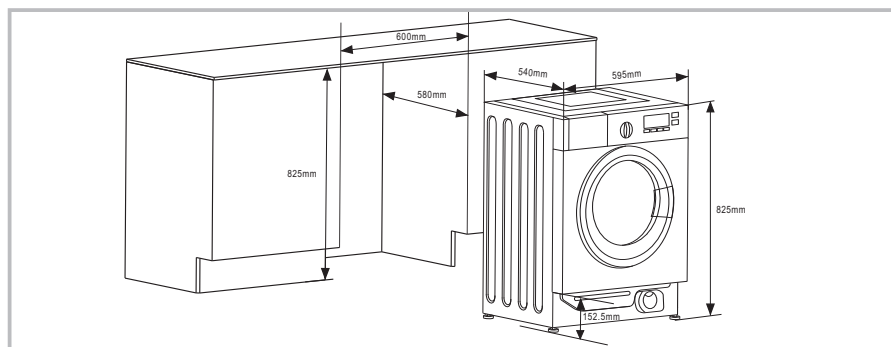
### Appendix



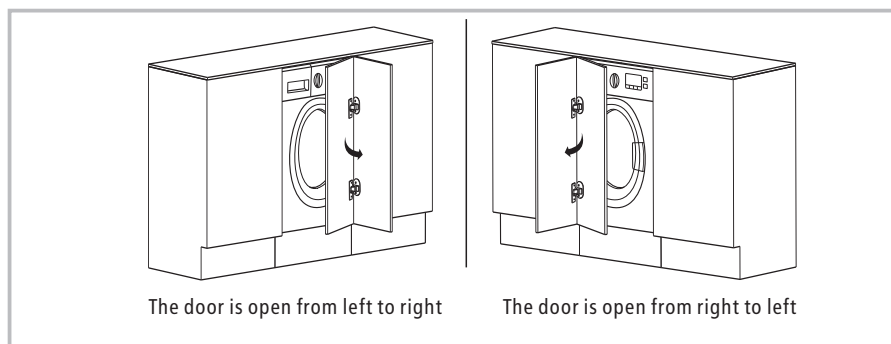
### Tool



### Install Steps

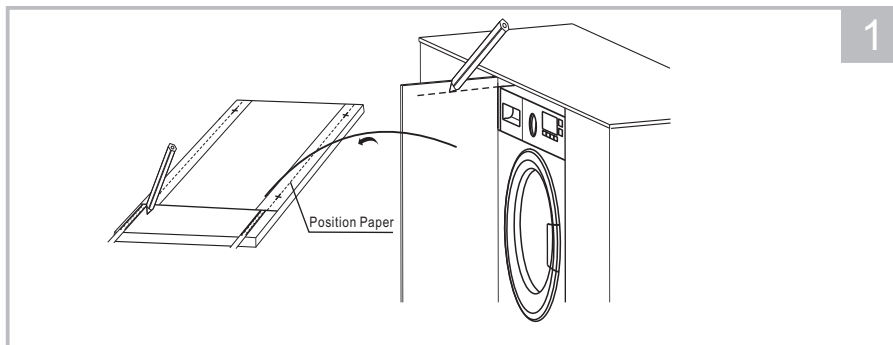


### Overview

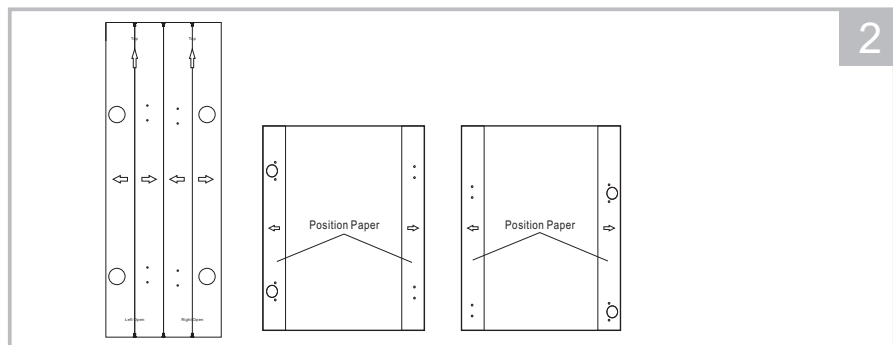


### Preparation and assembly of the door

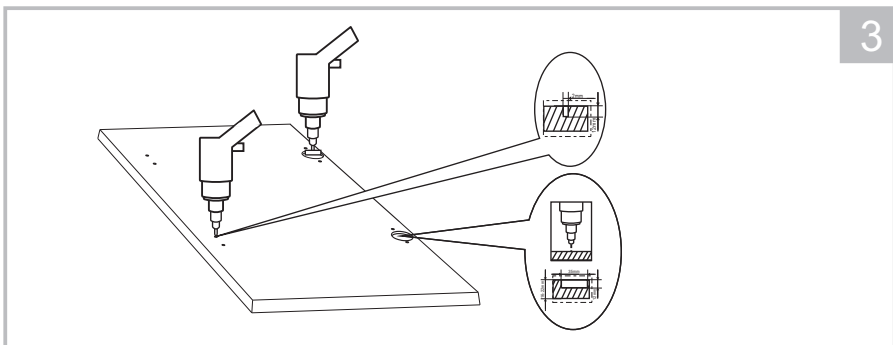
# MAINTENANCE



Make the mark on the door

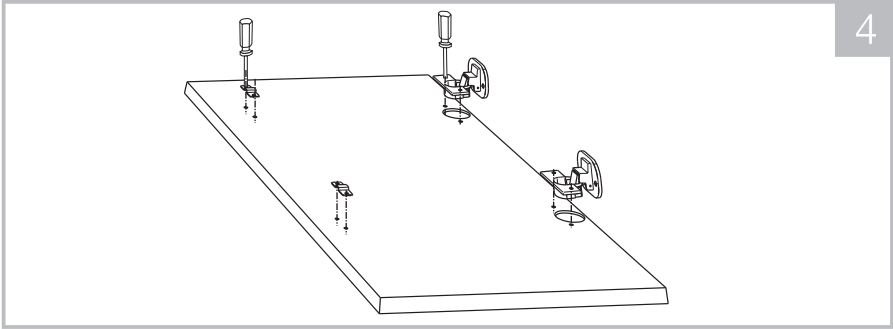


Fixed position paper on the door.



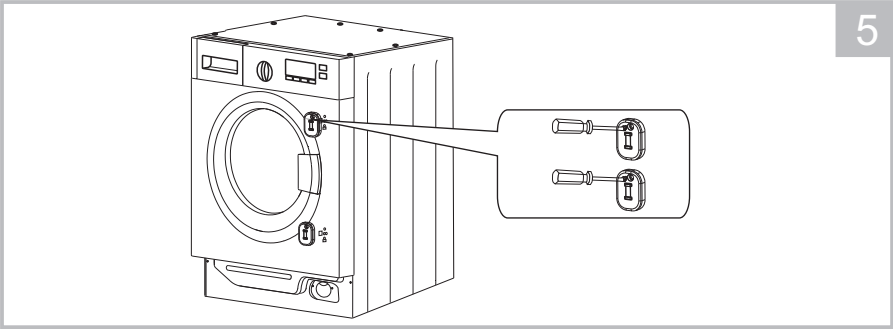
Drill hole on the door

# MAINTENANCE



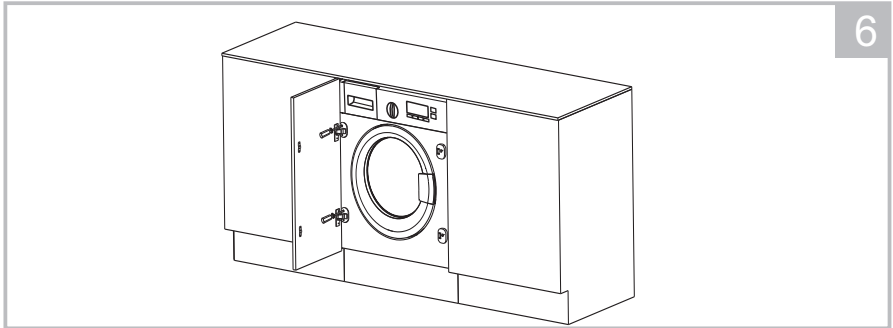
4

Installation the hinges and spacer



5

Installation the counter magnet



6

Installation the door

## Warning!

- When installing the appliance into the kitchen ensure furniture ,if possible, the hoses are placed in either of the two recesses on the back of the appliance. This will help to prevent the hoses from becoming kinked or trapped.

# ÍNDICE

---

## INSTRUCCIONES DE SEGURIDAD

- Instrucciones de seguridad ..... 2

## INSTALACIÓN

- Descripción del producto ..... 9
- INSTALACIÓN ..... 10

## FUNCIONAMIENTO

- Inicio rápido ..... 13
- Antes de cada lavado ..... 15
- Dispensador de detergente ..... 16
- Panel de control ..... 17
- Opción ..... 18
- Otras funciones ..... 19
- Programas ..... 21
- Tabla de programas de lavado ..... 22

## MANTENIMIENTO

- Limpieza y cuidados ..... 24
- Resolución de problemas ..... 27
- Especificaciones técnicas ..... 28

# INSTRUCCIONES DE SEGURIDAD

---

## ■ Instrucciones de seguridad

Por su seguridad, siga la información de este manual para minimizar el riesgo de incendio o de explosión, de descarga eléctrica, o para evitar daños a la propiedad, lesiones personales o la pérdida de vidas. Descripción de los símbolos:

### ¡Advertencia!

Esta combinación de símbolo y palabra de aviso indica una situación potencialmente peligrosa que puede causar la muerte o lesiones graves, a menos que se evite.

### ¡Precaución!

Esta combinación de símbolo y palabra de aviso indica una situación potencialmente peligrosa que puede causar lesiones leves o daños a la propiedad y al medio ambiente.

### Nota

Esta combinación de símbolo y palabra de aviso indica una situación potencialmente peligrosa que puede provocar lesiones leves o poco importantes.

### ¡Advertencia!

### ¡Descarga eléctrica!

- Si el cable de suministro está dañado, debe solicitar al fabricante, al servicio de mantenimiento u otras personas cualificadas que lo sustituyan para evitar posibles peligros.

# INSTRUCCIONES DE SEGURIDAD

---

- Deben utilizarse los nuevos juegos de mangueras suministrados con el aparato y los juegos de mangueras antiguos no deben ser reutilizados.
- Antes de realizar cualquier tarea de mantenimiento, desenchufe el aparato de la red eléctrica.
- Desenchufe siempre la máquina y corte el suministro de agua después de cada uso. La presión máxima de entrada de agua, en pascales. La presión mínima de entrada del agua, en pascales.
- Para garantizar su seguridad, enchufe la clavija de alimentación en un enchufe trifásico con conexión a tierra. Compruebe la toma de corriente cuidadosamente y asegúrese de que está conectada a tierra de forma correcta y fiable.
- Asegúrese de que un técnico cualificado lleva a cabo la conexión del agua y de los dispositivos eléctricos de acuerdo con las instrucciones del fabricante y con las normas de seguridad locales.
- Desconecte su enchufe antes de la limpieza o el mantenimiento.
- No utilice ningún enchufe con corriente nominal inferior a la del aparato. Nunca desconecte el enchufe con las manos mojadas.
- Recuerde desconectar el agua y el suministro de energía inmediatamente después de lavar la ropa.

**¡Riesgo para los niños!**

# INSTRUCCIONES DE SEGURIDAD

---

- Países europeos: este electrodoméstico lo pueden usar niños a partir de 8 años y personas con capacidades físicas, sensoriales o mentales reducidas o con falta de experiencia y conocimiento si cuentan con la supervisión o con las instrucciones necesarias relativas al uso seguro del aparato y comprenden los peligros que este entraña. Los niños no deben jugar con el aparato. Los niños no deben realizar las tareas de limpieza y mantenimiento sin supervisión.
- Los niños menores de 3 años deben estar vigilados para garantizar que no juegan con el electrodoméstico.
- Los animales y los niños podrían subirse a la máquina. Compruebe la máquina antes de cada puesta en marcha.
- Los niños deben estar vigilados para garantizar que no juegan con el electrodoméstico.
- La puerta de vidrio puede estar muy caliente mientras el aparato esté funcionando. Mantenga a los niños y a las mascotas alejados de la máquina mientras esté funcionando en salas muy húmedas, así como en las salas con gases explosivos o cáusticos.
- Retire todos los embalajes y los pernos de transporte antes de usar el aparato. De lo contrario, pueden producirse daños graves.


## ¡Peligro de explosión!

- No lave ni seque artículos que hayan sido limpiados, lavados, remojados o frotados con sustancias combustibles o explosivas (como cera, aceite, pintura, gasolina, desengrasantes, disolventes de limpieza en seco, queroseno, etc.), ya que esto podría provocar un incendio o una explosión.
- la lavadora secadora no debe usarse si se han usado productos químicos industriales para la limpieza

# INSTRUCCIONES DE SEGURIDAD

---

- el aire de escape no debe descargarse en un conducto de humos destinado a expulsar los humos de los aparatos que queman gas u otros combustibles
- Antes de lavarlas en la lavadora, enjuague bien las prendas a mano.

 ¡Precaución!

## Instalación del producto

- Esta lavadora solo se debe utilizar en interiores.
- No está diseñada para ser integrada.
- Las aberturas no deben estar obstruidas por una alfombra.
- La lavadora no debe instalarse en cuartos de baño o en cuartos muy húmedos, así como tampoco en cuartos con gases explosivos o cáusticos.
- Las lavadoras con una sola válvula de entrada solo pueden conectarse al suministro de agua fría. El producto con válvulas de doble entrada debe estar correctamente conectado al suministro de agua caliente y al de agua fría.
- El enchufe debe ser accesible después de la instalación.
- el aparato no debe instalarse detrás de una puerta con cerradura, una puerta corredera o una puerta con una bisagra en el lado opuesto al de la lavadora secadora.
- el aparato no debe instalarse en un lugar húmedo
- Retire todos los embalajes y los pernos de transporte antes de usar el aparato. De lo contrario, pueden producirse daños graves.

¡Peligro de daños en el aparato!



# INSTRUCCIONES DE SEGURIDAD

---

- Este producto está destinado solo para uso doméstico y está diseñado únicamente para los tejidos aptos para el lavado o el secado a máquina.
- No se suba ni se sienta en la cubierta superior de la máquina.
- No se apoye en la puerta de la máquina.
- Precauciones durante la manipulación de la máquina:
  1. Los pernos de transporte deben ser reinstalados en la máquina por una persona especializada.
  2. El agua acumulada se evacuará de la máquina.
  3. Manipule la máquina con cuidado. Nunca sostenga las piezas que sobresalen de la máquina mientras la levanta. La puerta de la máquina no se puede utilizar como asa durante el transporte.
  4. Este aparato es pesado. Transpórtelo con cuidado.
  5. Que las manos no se inserten en el agua corriente
- No cierre la puerta empleando una fuerza excesiva. Si le resulta difícil cerrar la puerta, compruebe si la ropa está bien colocada o distribuida.
- Está prohibido lavar alfombras.

# INSTRUCCIONES DE SEGURIDAD

---

## Funcionamiento del aparato

- **Antes de usar la lavadora, el producto debe calibrarse**
- Antes de lavar la ropa por primera vez, el aparato debe realizar un ciclo completo de todos los procedimientos sin la ropa dentro.
- Está prohibido el uso de disolventes inflamables, explosivos o tóxicos. No se debe utilizar gasolina, alcohol, etc., como detergente. Seleccione solo los detergentes adecuados para el lavado a máquina, especialmente para el tambor.
- Asegúrese de que todos los bolsillos estén vacíos. Los artículos afilados y rígidos como monedas, broches, clavos, tornillos, piedras, etc., pueden causar daños graves a esta máquina.
- Compruebe si el agua del interior del tambor se ha evacuado antes de abrir la puerta. No abra la puerta si hay agua visible.
- Tenga cuidado de no quemarse cuando el producto drene agua caliente de lavado.
- No rellene nunca el agua a mano durante el lavado.
- Si es inevitable que las telas que contengan aceite vegetal o de cocina o que hayan sido contaminadas por productos para el cuidado del cabello se coloquen en una secadora, primero se deben lavar en agua caliente con detergente adicional, esto reducirá, pero no eliminará, el peligro. .
- Se debe proporcionar una ventilación adecuada para evitar el reflujo de gases a la habitación de los aparatos que queman otros combustibles, incluidos los fuegos abiertos.
- No seque artículos sin lavar en el aparato.
- Las prendas que se hayan ensuciado con sustancias

# INSTRUCCIONES DE SEGURIDAD

---

como aceite de cocina, acetona, alcohol, gasolina, queroseno, quitamanchas, trementina, ceras y quitaceras deben lavarse en caliente con una cantidad extra de detergente antes de secarlas en el aparato.

- artículos como gomaespuma (espuma de látex), gorros de ducha, textiles impermeables, artículos con respaldo de goma y ropa o almohadas con almohadillas de goma espuma no deben secarse en la máquina.
- Los suavizantes de telas o productos similares deben usarse según lo especificado en las instrucciones del suavizante de telas.
- La parte final de un ciclo de lavadora secadora ocurre sin calor (ciclo de enfriamiento) para asegurar que los artículos no se dañen.
- Retire todos los objetos de los bolsillos, como encendedores y fósforos, antes de usar el aparato.
- Advertencia: nunca detenga una lavadora secadora antes del final del ciclo de secado a menos que todos los artículos se retiren rápidamente y se extiendan para que el calor se disipe.

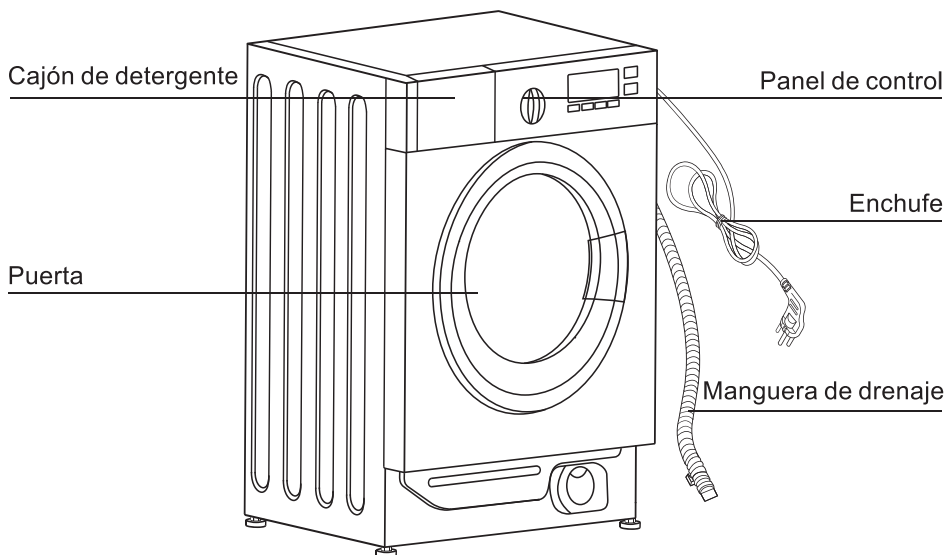
## Embalaje/Electrodoméstico antiguo



Esta marca indica que este producto no debe eliminarse con otros residuos domésticos en toda la UE. Para evitar posibles daños al medio ambiente o a la salud humana por la eliminación incontrolada de residuos, recíclelo de manera responsable para favorecer la reutilización sostenible de los recursos materiales. Para devolver el dispositivo usado, utilice los sistemas de recogida o póngase en contacto con el distribuidor que se lo vendió. Ellos lo recogerán y se encargarán de hacer un reciclaje seguro desde el punto de vista medioambiental.

# INSTALACIÓN

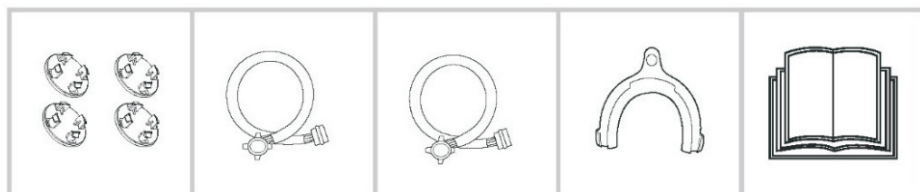
## ■ Descripción del producto



### Nota

- El gráfico de la línea de productos aparece solo como referencia; como ejemplo, deberá observar el producto real.

## Accesorios



Tapón del orificio de transporte

Manguera de suministro de agua fría

Manguera de suministro de agua caliente (opcional)

Soporte de la manguera de drenaje (opcional)

Manual del propietario

# INSTALACIÓN

## ■ INSTALACIÓN

### Área de instalación

#### ⚠ ¡Advertencia!

- ¡La estabilidad es importante para evitar que el producto se mueva!
- Asegúrese de que el producto no se apoye en el cable de alimentación.

Antes de instalar la máquina, se seleccionará una ubicación con las siguientes características:

1. Se necesita una superficie rígida, seca y nivelada.
2. Se debe evitar la luz solar directa.
3. Debe haber suficiente ventilación.
4. La temperatura ambiente debe ser superior a 0 °C.
5. Se debe mantener el producto alejado de fuentes de calor como el carbón o el gas.



### Desembalaje de la lavadora

#### ⚠ ¡Advertencia!

- El material de embalaje (por ejemplo, películas, espuma de poliestireno) puede ser peligroso para los niños.
- ¡Existe riesgo de asfixia! Mantenga el embalaje bien alejado de los niños.

1. Retire la caja de cartón y el embalaje de espuma de poliestireno.
2. Levante la lavadora secadora y retire el embalaje de la base. Asegúrese de que la espuma del triángulo pequeño se retira junto con la parte inferior. Si no es así, coloque la unidad sobre uno de sus laterales y, a continuación, retire manualmente la espuma pequeña del fondo de la unidad.
3. Retire la cinta que sujeta el cable de alimentación y la manguera de drenaje.
4. Retire la manguera de entrada del tambor.



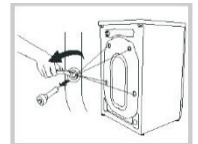
### Retirada de los pernos de transporte

#### ⚠ ¡Advertencia!

- Debe quitar los pernos de transporte de la parte trasera antes de utilizar el producto.
- Si tiene que mover el producto, necesitará los pernos de transporte de nuevo, por lo que debe asegurarse de conservarlos en un lugar seguro.

Para quitar los pernos, siga estos pasos:

1. Afloje los 4 pernos con una llave y retírelos.
2. Tape los orificios de transporte con tapones.
3. Guarde los pernos de transporte de forma adecuada para su uso futuro.



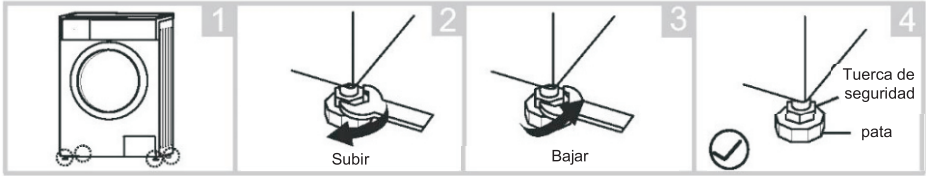
### Nivelación de la lavadora

#### ⚠ ¡Advertencia!

- Las tuercas de bloqueo de las cuatro patas deben atornillarse firmemente contra la carcasa.

# INSTALACIÓN

1. Compruebe si las patas están bien unidas a la carcasa. De no ser así, gírelas a sus posiciones originales y apriete las tuercas.
2. Afloje la contratuerca y gire las patas hasta que hagan contacto con el suelo.
3. Ajuste las patas y bloquéelas con una llave inglesa, asegurándose de que la máquina esté firme.



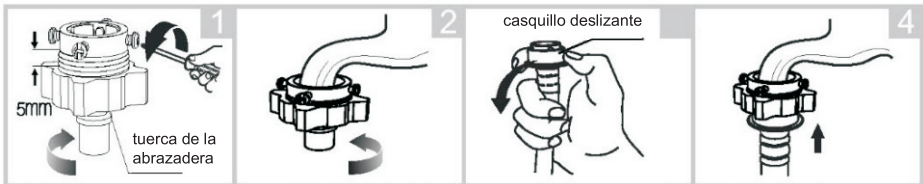
## Conexión de la manguera de suministro de agua

### ⚠ ¡Advertencia!

- ¡Para evitar fugas o daños por agua, siga las instrucciones de este capítulo!
- No doble, aplaste, modifique o corte la manguera de entrada de agua.
- Para el modelo que incorpora la válvula de agua caliente, conéctela al grifo de agua caliente con la manguera de suministro correspondiente. Para algunos programas, el consumo de energía disminuirá automáticamente.

Conecte el tubo de entrada como se indica. Hay dos maneras de conectarlo.

1. Conexión entre un grifo normal y la manguera de entrada.



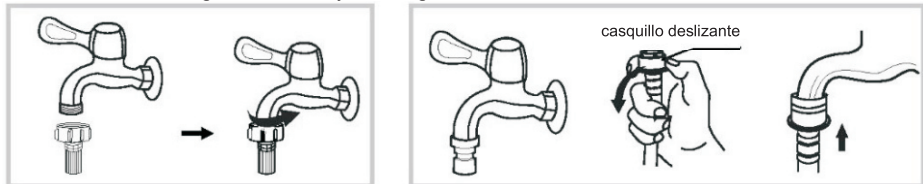
Afloje la tuerca de la abrazadera y los cuatro pernos

Apriete la tuerca de la abrazadera

Presione el casquillo deslizante e introduzca la manguera de entrada en la base de conexión

Conexión terminada

2. Conexión entre un grifo de rosca y la manguera de entrada.

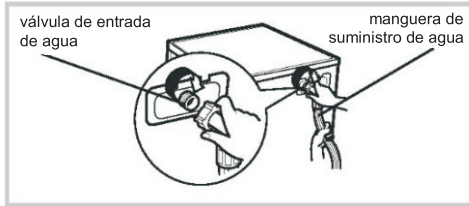


Grifo de rosca y manguera de entrada

Grifo especial para la lavadora

# INSTALACIÓN

Conecte el otro extremo del tubo de entrada a la válvula de entrada, en la parte posterior del producto y fije el tubo firmemente girando hacia la derecha.



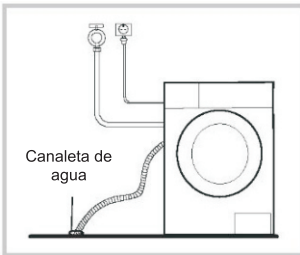
## Manguera de drenaje

### ⚠ ¡Advertencia!

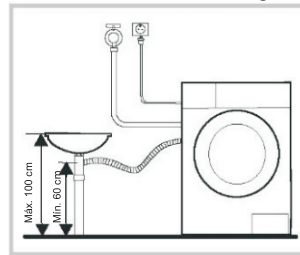
- No retuerza ni extienda la manguera de drenaje.
- Coloque la manguera de drenaje correctamente o, de lo contrario, podría dañarse por fugas de agua.

Hay dos maneras de colocar el extremo de la manguera de drenaje:

1. Directamente en la canaleta.

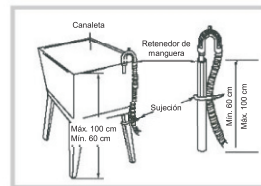
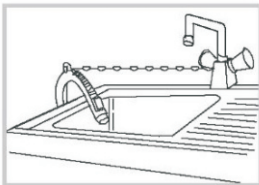


2. Conectado al tubo de desagüe de la canaleta.



### 📌 Nota

- Si la máquina tiene soporte para la manguera de drenaje, instálelo como se indica a continuación.



### ⚠ ¡Advertencia!

- Cuando instale la manguera de drenaje, átela correctamente con una cuerda.
- Si la manguera de desagüe es demasiado larga, no la fuerce a entrar en la lavadora ya que causará ruidos extraños.

# FUNCIONAMIENTO

## ■ Inicio rápido

### ⓘ ¡Precaución!

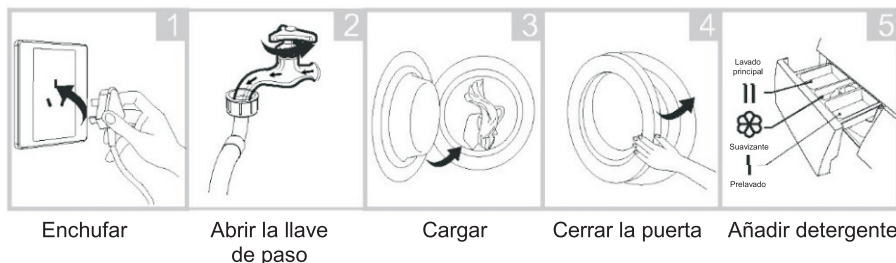
- Antes de lavar, asegúrese de que el aparato esté instalado correctamente.
- Antes de lavar por primera vez, la lavadora debe completar un ciclo completo de todos los procedimientos, sin ropa, como se indica a continuación.

### 📌 Calibración

Se recomienda calibrar la lavadora para que pueda servirle mejor.

1. Vaciar la lavadora
2. Enchufar
3. Encienda la lavadora y presione "Retraso" y "Centrifugado" al mismo tiempo en 10 segundos y luego muestre "t19"
4. Presione >II para encender la lavadora y espere hasta que aparezca \*\*\*\*\*

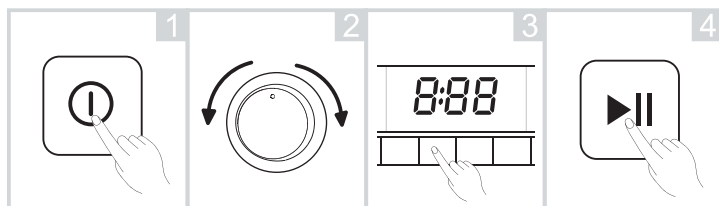
## 1. Antes del lavado



### 📌 Nota

- El detergente debe añadirse en el «cajetín I» después de seleccionar el prelavado para las máquinas con esta función.

## 2. Lavado





# FUNCIONAMIENTO

---



## Nota

- Si se selecciona el valor predeterminado, se puede omitir el paso 2.
- 2. El gráfico lineal de botones de funciones aparece solo como referencia; como ejemplo, deberá observar el producto real.

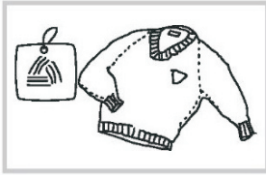
## 3. Después del lavado

Pitido del zumbador o "FIN" en la pantalla

# FUNCIONAMIENTO

## ■ Antes de cada lavado

- Las condiciones de funcionamiento de la lavadora deben ser entre 0 y 40 °C. Si se utiliza a temperaturas inferiores a 0 °C, la válvula de entrada y el sistema de drenaje pueden dañarse. Si la máquina se coloca en unas condiciones iguales o inferiores a 0 °C, deberá trasladarse a una temperatura ambiente normal para garantizar que la manguera de suministro de agua y la manguera de drenaje no estén congeladas antes de su uso.
- Compruebe las etiquetas y la descripción sobre el uso del detergente antes del lavado. Use detergente no espumoso o menos espumoso adecuado para el lavado correcto a máquina.



Compruebe la etiqueta



Saque los objetos de los bolsillos



Anude las tiras largas, cremalleras o botones



Coloque las prendas pequeñas en una funda de almohada



Dé la vuelta a los tejidos propensos a tener bolas de pelo largo



Separe las prendas según las diferentes texturas

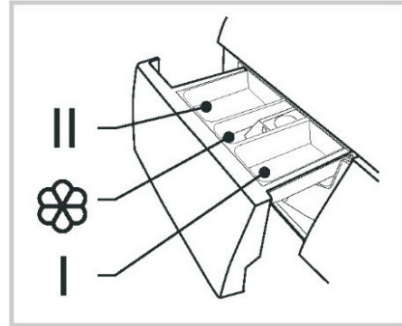
### ⚠ ¡Advertencia!

- Al lavar una sola prenda, la máquina podría desestabilizarse y generar una alarma por un gran desequilibrio. Por lo tanto, se sugiere añadir una o dos prendas más para lavarlas juntas, de modo que el centrifugado se pueda realizar sin problemas.
- No lave la ropa que esté en contacto con queroseno, gasolina, alcohol y otros materiales inflamables.

# FUNCIONAMIENTO

## ■ Dispensador de detergente

- | Detergente de prelavado
- || Detergente de lavado principal
- ☼ Suavizante



Saque el dispensador

### ⚠ ¡Precaución!

- Solo es necesario añadir detergente en el «cajetín I» después de seleccionar el prelavado para las máquinas con esta función.

Programa			☼	Programa			☼
Express 15'		●	○	Ropa de bebé	○	●	○
Rápido 45'	○	●	○	Lana		●	○
20 °C		●	○	Delicado		●	○
Vaqueros	○	●	○	Mix	○	●	○
ECO 40-60		●	○	Sintético	○	●	○
Intensivo		●	○	Ropa de deporte	○	●	○
Aclarado y Centrifugado			○	Algodón	○	●	○
Solo centrifugado							

- Medios obligatorios ○ Medios opcionales

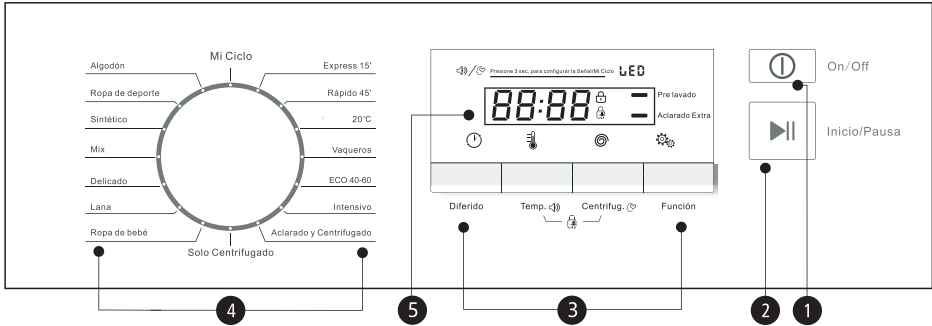
### 📌 Nota

- En cuanto al detergente o aditivo apelmazado o viscoso, antes de verterlo en el cajetín del detergente, se recomienda utilizar un poco de agua para que se diluya y así evitar que la entrada del cajetín del detergente se bloquee y se desborde mientras se llena de agua.
- Elija el tipo de detergente adecuado para las diferentes temperaturas de lavado, para obtener el mejor rendimiento de lavado con un menor consumo de agua y energía.

# FUNCIONAMIENTO

## ■ Panel de control

Modelo:LI6 1480/LI6 1470/W6508.0v



### Nota

- El gráfico aparece solo como referencia. Como ejemplo, deberá observar el producto real.

#### 1 On/Off

El producto está encendido/apagado.

#### 2 Inicio/Pausa

Pulse el botón para iniciar o para pausar el ciclo de lavado.

#### 3 Opción

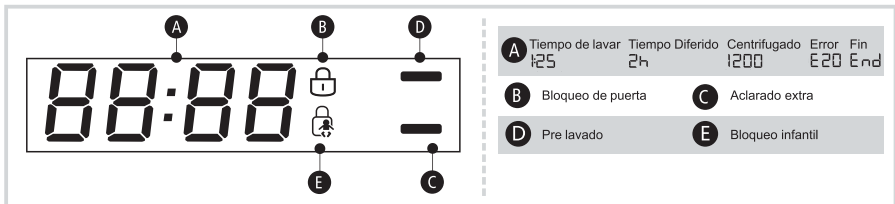
Permite seleccionar una función adicional y se iluminará cuando se seleccione.

#### 4 Programas

Disponible según el tipo de ropa.

#### 5 Display

la pantalla muestra los ajustes, el tiempo restante estimado, las opciones y los mensajes de estado de su lavadora. La pantalla permanecerá encendida durante el ciclo



## ■ Opción

Diferido

### Diferido

Seleccionar un programa:

1. Configurar la función de Diferido
2. Presione el botón de Diferido para seleccionar el tiempo (el tiempo Diferido es 0-24H)
3. Presione **【Inicio/Pausa】** para comenzar la operación de Diferido.



On/Off

Seleccionar el programa

Configurar el tiempo

Inicio

Seleccionar un programa:

Presione el botón [Diferido] hasta que la pantalla es OH. Se debe presionar antes de empezar el programa. Si el programa ya empieza, deben presionar el botón [On / Off] para reempezar el programa.

### ⚠ Precaución!

- Si hay alguna interrupción en el suministro de energía mientras la máquina está en funcionamiento, una memoria especial almacena el programa seleccionado y cuando se reinicia la energía, presione el botón [On / Off] el programa continuará.

Pre lavado

### Pre lavado

La función de prelavado puede obtener un lavado adicional antes del lavado principal.

Extra  
Aclarado

### Extra Aclarado


La ropa se someterá a un extra aclarado una vez que la seleccione.

## ■ Otras funciones



### Mi Ciclo

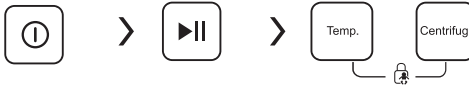
Memorizar los programas de uso frecuente

Presione [  ] 3 seg. para memorizar el programa que esta operando. El predeterminado es algodón.



### Bloqueo infantil

Para evitar el mal funcionamiento por parte de los niños.



On/Off

Inicio / Pausa

Presione 3 seg. [Temp.] y [Centrifug.] hasta el pitido del timbre.

### ⚠ Precaución!

- Presione dos botones 3 seg. para liberar la función.
- El "bloqueo para niños" bloqueará todos los botones excepto [On / Off].
- Corte la alimentación de electricidad, la protección del niño se liberará.
- El bloqueo para niños seguirá siendo efectivo cuando se reanude la energía en algunos modelos.

### ⚠ Precaución!


- Cuando las luces de Centrifugado están apagadas significa que la velocidad de centrifugado es 0.




# FUNCIONAMIENTO


---

 **Temp.**  
Presione el botón para regular la temperatura. (frío. 20 °C, 30°C, 40°C, 60°C, 90°C)

---

 **Silenciar el timbre**

 >  > 



On/Off      Inicio/Pausa      Presione el botón [Temp] por 3 seg. para silenciar el timbre.

Para activar la función de zumbador, presione el botón nuevamente durante 3 segundos, el ajuste se mantendrá hasta el próximo reinicio.

## Precaución!

- Después de silenciar la función de zumbador, los sonidos ya no se activarán.

# FUNCIONAMIENTO

## ■ Programas

Los programas disponibles dependen del tipo de ropa.

Programas	
Algodón	Tejidos rígidos, tejidos resistentes al calor de algodón o lino.
Rápido 45	Lavar rápidamente las ropas que no son muy sucias
Sintéticos	Lavar artículos sintéticos, por ejemplo, camisas, abrigos, mezclas. Durante el lavado de los tejidos de punto, la cantidad de detergente debe reducirse debido a su estructura deshilachada y a la fácil formación de burbujas.
Ropa de bebé	lavar la ropa del bebé, puede hacer que la ropa del bebé sea más limpia y mejorar el rendimiento del enjuague para proteger la piel del bebé
Vaqueros	Especialmente para los vaqueros
Mix	Carga mixta compuesta por tejidos de algodón y sintéticos
20 °C	lavar ropa de colores brillantes, puede proteger mejor los colores
Ropa de deporte	lavar la ropa deportiva
Express 15'	Es adecuado para lavar rápidamente poca ropa y no muy sucia.
Delicado	Para tejidos delicados y lavables, p. ej., de seda, satén, fibras sintéticas o tejidos mixtos.
Lana	Para tejidos de lana o lana rica lavables a mano o a máquina. Programa de lavado especialmente suave para evitar que se encojan. Programa de pausas más prolongadas (los tejidos descansan en el líquido de lavado)
Solo centrifugado	Centrifugado extra con velocidad de centrifugado seleccionable.
Aclarado y centrifugado	Aclarado adicional con centrifugado.
ECO 40-60	Predeterminado 40 °C, no seleccionable, apto para lavar la ropa aproximadamente a 40 °C-60 °C.
Intensivo	Para aumentar los efectos del lavado, se aumenta el tiempo de lavado.



# FUNCIONAMIENTO

## ■ Tabla de programas de lavado

Modelo: LI6 1470

Programa	Carga (kg)	Temp. (°C)	Tiempo predeterminado
	7.0	Predeterminado	7.0
			1400
Express 15'	2.0	Cold	0:15
Rápido 45'	2.0	40	0:45
20 °C	3.5	20	1:01
Vaqueros	7.0	60	1:45
ECO 40-60	7.0	-	3:25
Intensivo	7.0	40	3:48
Aclarado y centrifugado	7.0	-	0:20
Solo centrifugado	7.0	-	0:12
Ropa de bebé	7.0	60	1:43
Lana	2.0	40	1:07
Delicado	2.5	30	0:50
Mix	7.0	40	1:20
Sintético	3.5	40	3:18
Ropa de deporte	3.5	40	1:11
Algodón	7.0	40	3:49

- De acuerdo con EU 60456:2016 y (EU) No.1061/2010  
La vieja clase de eficiencia energética de la UE es A+++  
Programa de prueba de energía: Algodón intensivo 60 °C/40 °C. Velocidad: la velocidad más alta;  
la opción predeterminada es Otra. Media carga para máquina de 7.0 kg: 3.5 kg.



### Nota

- Los parámetros de esta tabla se muestran como referencia para el usuario. Los parámetros reales pueden ser diferentes a los parámetros de la tabla anterior.

# FUNCIONAMIENTO

## ■ Tabla de programas de lavado

Modelo:LI6 1480/W6508.0v

Programa	Carga (kg)	Temp. (°C)	Tiempo predeterminado
	8.0	Predeterminado	8.0
			1400
Express 15'	2.0	Cold	0:15
Rápido 45'	2.0	40	0:45
20 °C	4.0	20	1:01
Vaqueros	8.0	60	1:45
ECO 40-60	8.0	-	3:35
Intensivo	8.0	40	3:48
Aclarado y centrifugado	8.0	-	0:20
Solo centrifugado	8.0	-	0:12
Ropa de bebé	8.0	60	1:43
Lana	2.0	40	1:07
Delicado	2.5	30	0:50
Mix	8.0	40	1:20
Sintético	4.0	40	3:18
Ropa de deporte	4.0	40	1:11
Algodón	8.0	40	3:49

- De acuerdo con EU 60456:2016 y (EU) No.1061/2010  
La vieja clase de eficiencia energética de la UE es A+++  
Programa de prueba de energía: Algodón intensivo 60 °C/40 °C. Velocidad: la velocidad más alta;  
la opción predeterminada es Otra. Media carga para máquina de 8,0 kg: 4,0 kg.



### Nota

- Los parámetros de esta tabla se muestran como referencia para el usuario. Los parámetros reales pueden ser diferentes a los parámetros de la tabla anterior.

# MANTENIMIENTO

## ■ Limpieza y cuidados

### ⚠ ¡Advertencia!

- Antes de empezar el mantenimiento, desenchufe la máquina y cierre el grifo.

### Limpieza de la carcasa

Un mantenimiento adecuado de la lavadora puede prolongar su vida útil. La superficie se puede limpiar con detergentes neutros diluidos no abrasivos cuando sea necesario. Si se produce algún desbordamiento de agua, límpiela con paño inmediatamente. No se permite el uso de objetos punzantes.



### 📌 Nota

- Está prohibido el uso de ácido fórmico y sus disolventes diluidos, o equivalentes como alcohol, disolventes o productos químicos, etc.

### Limpieza del tambor

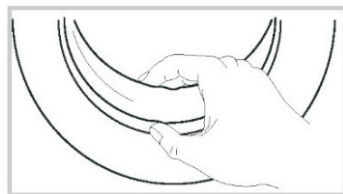
Si se produce óxido en el interior del tambor debido a artículos metálicos, se deberá eliminar inmediatamente con detergentes sin cloro. No utilice nunca estropajo de acero.

### 📌 Nota

- No ponga ropa en la lavadora durante la limpieza del tambor.

### Limpieza de la junta de la puerta y el cristal

Limpie el cristal y la junta después de cada lavado, para eliminar pelusas y manchas. Si se acumula la pelusa, se pueden producir fugas. Quite las monedas, botones y otros objetos que pudiera haber en la junta después de cada lavado.



# MANTENIMIENTO

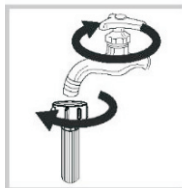
## Limpieza del filtro de entrada

### Nota

- El filtro de entrada debe limpiarse si entra menos agua.

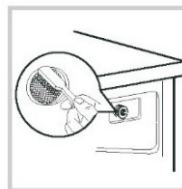
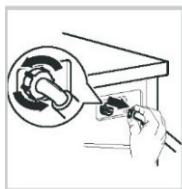
Lavado del filtro en el grifo:

1. Cierre el grifo.
2. Retire del grifo la manguera de suministro de agua.
3. Limpie el filtro.
4. Vuelva a conectar la manguera de suministro de agua.



Lavado del filtro en la lavadora:

1. Desenrosque el tubo de entrada de la parte trasera de la máquina.
2. Utilice unos alicates de puntas largas para sacar el filtro y para volver a colocarlo después de lavarlo.
3. Utilice el cepillo para limpiar el filtro.
4. Vuelva a conectar el tubo de entrada.

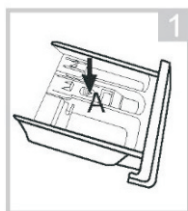


### Nota

- Si el cepillo no está limpio, puede extraer el filtro lavado por separado.
- Vuelva a conectar y abra el grifo.

## Limpieza del dispensador de detergente

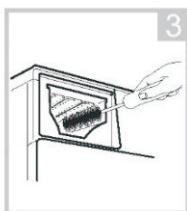
1. Presione la flecha que se encuentra en la tapa del suavizante dentro del cajón dispensador.
2. Levante la pinza, saque la tapa del suavizante y lave todos los surcos con agua.
3. Vuelva a colocar la tapa del suavizante y empuje el cajón hasta su posición.



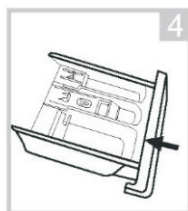
Saque el cajón del dispensador presionando en el punto A



Limpié el cajón del dispensador bajo el agua



Limpié dentro del hueco con un cepillo de dientes viejo



Introduzca el cajón dispensador

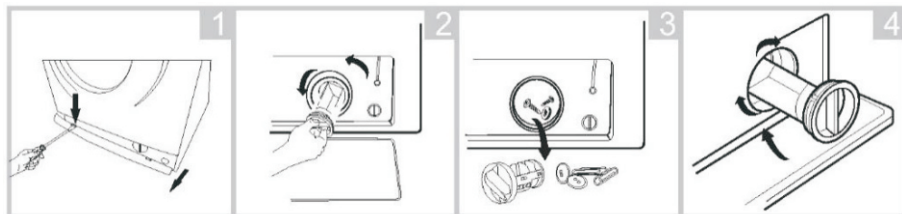
### Nota

- No utilice alcohol, disolventes o productos químicos para limpiar la máquina.

## Limpieza del filtro de la bomba de drenaje

### ⚠ ¡Advertencia!

- ¡Tenga cuidado con el agua caliente!
- Deje que la solución de detergente se enfríe.
- Desenchufe la máquina para evitar una descarga eléctrica antes de lavar.
- El filtro de la bomba de drenaje puede filtrar los hilos y pequeñas materias extrañas del lavado.
- Limpie el filtro periódicamente para asegurar el funcionamiento normal de la lavadora.



Abra el filtro de servicio

Abra el filtro girándolo hacia la izquierda

Retire cualquier materia extraña

Cierre la tapa inferior

### ⓘ ¡Precaución!

- Asegúrese de que la tapa de la válvula y la manguera de drenaje de emergencia se vuelvan a instalar correctamente. Las placas de la tapa deben insertarse alineadas con las placas del orificio; de lo contrario, puede filtrarse el agua.
- Algunas máquinas no tienen una manguera de drenaje de emergencia; en ese caso, gire la tapa inferior directamente para que el agua corra hacia el cuenco.
- Cuando el aparato está en uso y dependiendo del programa seleccionado, puede haber agua caliente en la bomba. No quite nunca la tapa de la bomba durante un ciclo de lavado; espere siempre hasta que el aparato haya terminado el ciclo y esté vacío. Cuando sustituya la cubierta, asegúrese de que esté bien apretada.

## ■ Resolución de problemas

El aparato no arranca o se detiene durante el funcionamiento.

En primer lugar, intente encontrar una solución al problema. Si no lo consigue, póngase en contacto con el centro de servicio.

Descripción	Motivo	Solución
La lavadora no arranca	La puerta no está bien cerrada	Reiniciela después de cerrar la puerta Compruebe si hay ropa atascada
La puerta no se abre	El diseño de protección de seguridad de la lavadora está activo	Desconecta la energía y reinicie el producto
Fuga de agua	La conexión entre el tubo de entrada o la manguera de salida no está apretada	Revise las tuberías de agua y sujételas Limpie la manguera de salida
Hay residuos de detergente en la caja	El detergente se humedece o se apelmaza	Limpie el cajetín de detergente
El indicador o la pantalla no se iluminan	Desconecte la placa de circuito impreso de alimentación o hay un problema de conexión en el haz de cables	Compruebe si está desconectada la energía o si el enchufe de alimentación está conectado correctamente
Ruido anormal		Compruebe si se ha retirado la fijación (los pernos) Compruebe que la unidad esté sobre un suelo sólido y nivelado

Descripción	Motivo	Solución
<b>E30</b>	La puerta no está bien cerrada	Reiniciela después de cerrar la puerta Compruebe si hay ropa atascada
<b>E10</b>	Hay un problema con la entrada de agua durante el lavado	Compruebe si la presión de agua es demasiado baja Enderece la tubería de agua Compruebe si el filtro de la válvula de entrada está bloqueado
<b>E21</b>	Tiempo excesivo de drenaje del agua	Compruebe si la manguera de drenaje está bloqueada
<b>E12</b>	Desbordamiento de agua	Reinicie la lavadora
<b>EXX</b>	Otros	Inténtelo de nuevo primero; si continúa habiendo problemas, llame al Servicio de asistencia

### Nota

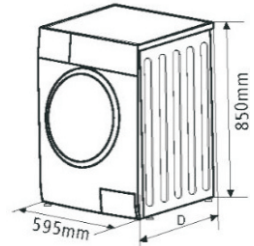
- Después de la comprobación, active el aparato. Si se vuelve a producir el problema, póngase en contacto con el Servicio de asistencia.

# MANTENIMIENTO

## ■ Especificaciones técnicas

Corriente máxima 10 A

Presión del agua estándar 0,05 Mpa~1 MPa



Modelo	Capacidad de lavado	Dimensiones (ancho x fondo x alto mm)	Peso neto	Potencia nominal
LI6 1470	7.0kg	595*540*825	63kg	1950W
LI6 1480/W6508.0v	8.0kg	595*540*825	63kg	1950W

# FICHA DEL PRODUCTO

## ■ Ficha de producto

Product fiche concerning to Regulation (EU) No 1061/2010

Trade mark	
Model identifier	LI6 1470
Rated capacity in kg of cotton laundry	7
Energy efficiency class on a scale from A+++ (most efficient) bis D (least efficient)	A+++
Energy consumption 139kWh per year, based on 220 standard washing cycles for the standard cotton programmes at 60 °C and 40 °C at full and partial load, and the consumption of the low-power modes. Actual energy consumption will depend on how the appliance is used.	
Energy consumption of the standard 60°C cotton programme at full load	0.67kwh
Energy consumption of the standard 60°C cotton programme at partial load	0.59kwh
Energy consumption of the standard 40°C cotton programme at partial load	0.51kwh
Weighted power consumption of the off-mode	0.50W
Weighted power consumption of the left-on mode	1.00W
Water consumption 9900 litres per year, based on 220 standard washing cycles for the standard cotton programmes at 60 °C and 40 °C at full and partial load. Actual water consumption will depend on how the appliance is used.	
spin-drying efficiency class B on a scale from G (least efficient) to A (most efficient)	
maximum spin speed	1400
Remaining moisture content	53%
'Intensive 60°C programme' and the 'Intensive 40°C programme' are the standard washing programmes to which the information in the label and the fiche relates, that these programmes are suitable to clean normally soiled cotton laundry and that they are the most efficient programmes in terms of combined energy and water consumption.	
Programme time of the standard 60°C cotton programme at full load	280min
Programme time of the standard 60°C cotton programme at half load	270min
Programme time of the standard 40°C cotton programme at half load	270min
duration time of left-on mode	-
Airborne acoustical noise emissions during washing phase	56dB
Airborne acoustical noise emissions during spinning phase	78dB
'built-in' washing machine	yes



# FICHA DEL PRODUCTO

## ■ Ficha de producto

Product fiche concerning to Regulation (EU) No 1061/2010

Trade mark	
Model identifier	LI6 1480/W6508.0v
Rated capacity in kg of cotton laundry	8
Energy efficiency class on a scale from A+++ (most efficient) bis D (least efficient)	A+++
Energy consumption 157 kWh per year, based on 220 standard washing cycles for the standard cotton programmes at 60 °C and 40 °C at full and partial load, and the consumption of the low-power modes. Actual energy consumption will depend on how the appliance is used.	
Energy consumption of the standard 60°C cotton programme at full load	0.75kwh
Energy consumption of the standard 60°C cotton programme at partial load	0.66kwh
Energy consumption of the standard 40°C cotton programme at partial load	0.62kwh
Weighted power consumption of the off-mode	0.50W
Weighted power consumption of the left-on mode	1.00W
Water consumption 11000 litres per year, based on 220 standard washing cycles for the standard cotton programmes at 60 °C and 40 °C at full and partial load. Actual water consumption will depend on how the appliance is used.	
spin-drying efficiency class B on a scale from G (least efficient) to A (most efficient)	
maximum spin speed	1400
Remaining moisture content	53%
'Intensive 60°C programme' and the 'Intensive 40°C programme' are the standard washing programmes to which the information in the label and the fiche relates, that these programmes are suitable to clean normally soiled cotton laundry and that they are the most efficient programmes in terms of combined energy and water consumption.	
Programme time of the standard 60°C cotton programme at full load	273min
Programme time of the standard 60°C cotton programme at half load	267min
Programme time of the standard 40°C cotton programme at half load	267min
duration time of left-on mode	-
Airborne acoustical noise emissions during washing phase	56dB
Airborne acoustical noise emissions during spinning phase	78dB
'built-in' washing machine	yes

# FICHA DEL PRODUCTO

---

## Nota

- Establecimiento de programas para la realización de pruebas de acuerdo con la norma EN60456 correspondiente.
- Cuando utilice los programas de prueba, lave la carga especificada empleando la velocidad máxima de centrifugado.
- Los parámetros reales dependerán de la forma en que se utilice el aparato y pueden ser diferentes a los parámetros indicados en la tabla anterior.

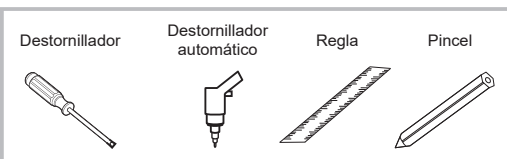
# INSTALACIÓN

## ■ Instalación integrada

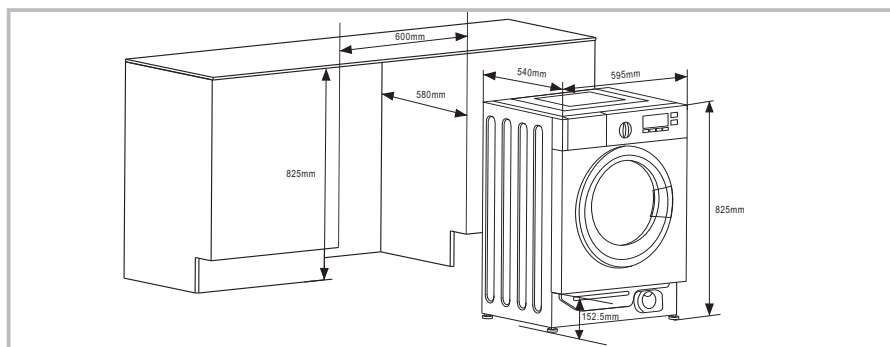
### Apéndice



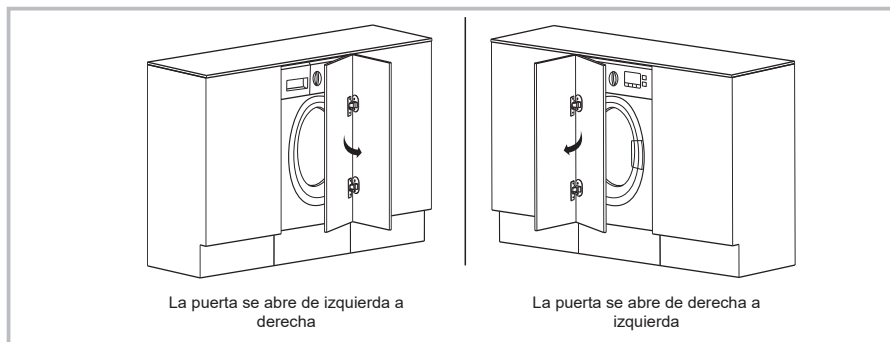
### Herramientas



### Pasos de la instalación

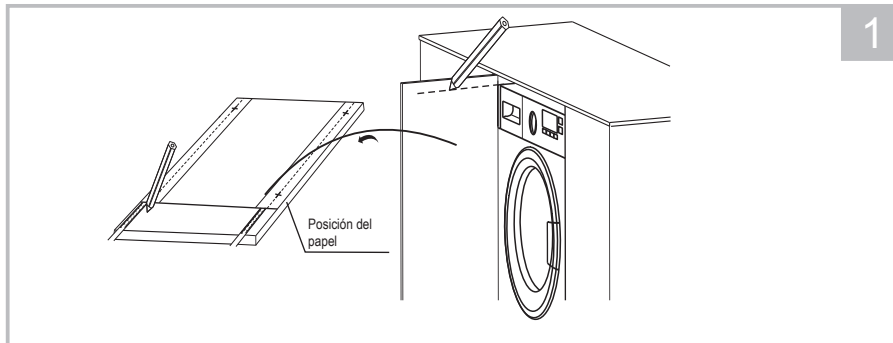


### Visión general

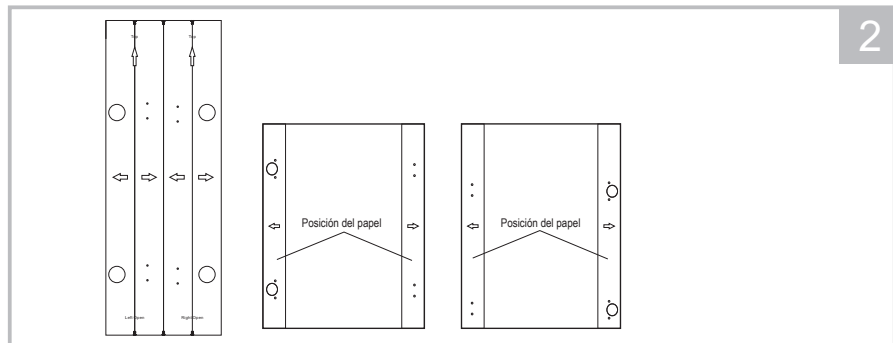


# INSTALACIÓN

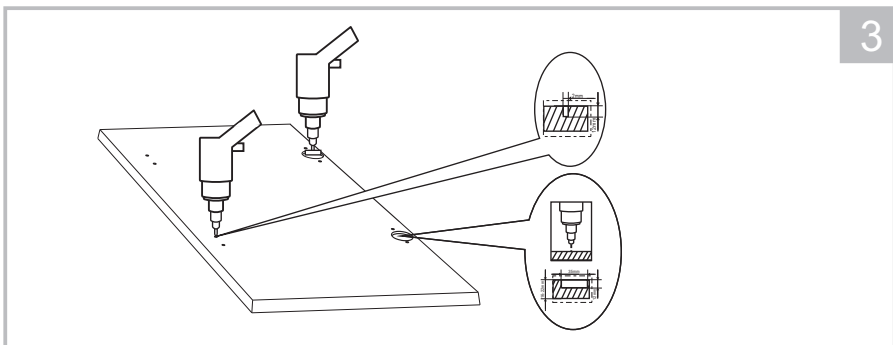
## Preparación y montaje de la puerta



## Marcar la puerta

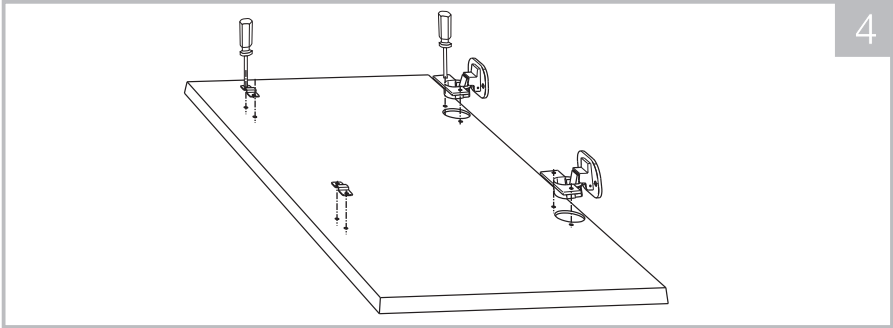


## Papel fijador de posición en la puerta.

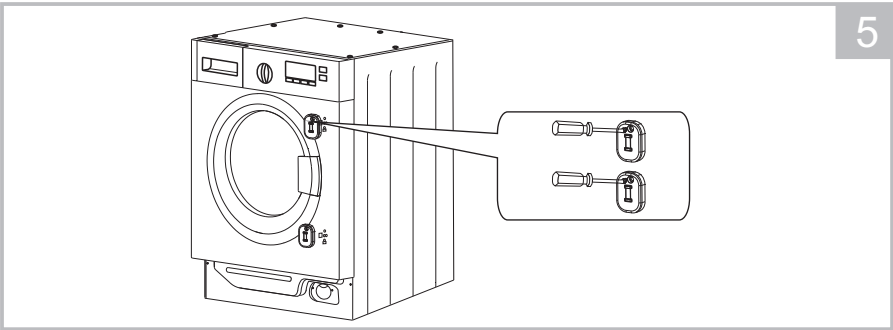


# INSTALACIÓN

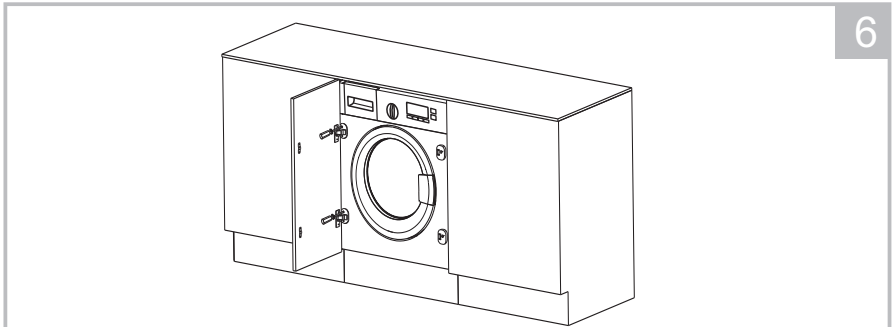
Taladrar la puerta.



Instalación de las bisagras y el espaciador.



Instalación del contra imán.



Instalación de la puerta.

## ⚠ Advertencia

- Al instalar el electrodoméstico en los muebles de la cocina asegúrese, si es posible, que las mangueras se coloquen en cualquiera de los dos huecos en la parte posterior del electrodoméstico. Esto ayudará a evitar que las mangueras se doblen o se atasquen.



[www.teka.com](http://www.teka.com)