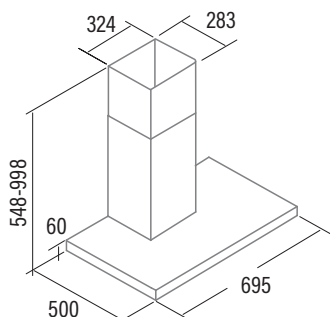




ST-7000 X
Cod. **02021309** EAN **8422248108690**

- Mechanical Control Panel
- 3 extraction levels
- Extraction power (according to UNE/EN 61591): 302m3/h - 165m3/h
- Motor maximum airflow free outlet: 360 m3/h
- Sound power (Reg.(EU) n°65/2014): 58dB(A), maximum: 62dB(A)
- Maximum energy consumption 65W
- High efficiency LED lighting
- Easy-to-install system
- Dishwasher-washable filters
- Finished in Stainless steel
- Max. Pressure 175 Pa
- 150 mm Outlet diameter
- Energy Class: C

► Accessories (not included)
Active charcoal filter Cod. 02859495 / EAN 8422248100281



Code	02021309
EAN	8422248108690
Model	ST-7000 X
Type	Box
Product fiche according to directives EU65/2014 - EN61591, EN60704-2-13, EN50564	
AEC (Annual Energy consumption) (kWh/annum)	36
EEL class (Energy Efficiency Class)	C
FDE (Fluid Dynamic Efficiency)	9,84
FDE class (Fluid Dynamic Efficiency Class)	E
LE (Lighting Efficiency) (lux/W)	38,9
LE class (Lighting Efficiency Class)	A
GFE (Grease Filtering Efficiency)	70,11
GFE Class (Grease Filtering Efficiency class)	D
Air flow at minimum speed (m3/h)	161
Air flow at maximum speed (m3/h)	294
Air flow at intensive speed (TURBO) (m3/h)	-
Sound Power Level at minimum speed (dB)	58
Sound Power Level at maximum speed (dB)	63,5
Sound Power Level at intensive speed (TURBO) (dB)	-
Po (Power Consumption in off mode) (W)	0
Ps (Power Consumption in standby) (W)	-
Integration directive EU 66/2014	
f (Time Increase Factor)	1,7
EEL (Energy Efficiency Index)	75
QBEP (Flow Rate at Best Efficiency Point) (m3/h)	172,17
PBEP (Static Pressure Difference at Best Efficiency Point) (Pa)	118,37
WBEP (Electric Power Input at Best Efficiency Point) (W)	57,55
WL (Nominal Power Consumption of Lighting system) (W)	2
EMIDDLE (Average Illumination of Lighting system on Cooking surface) (lux)	78
External Dimensions	
Width (mm)	700
Depth (mm)	500
Total max height(mm)	998
Total min height(mm)	548
Outlet Diameter (mm)	150
Characteristics	
Motor	TT300
Extraction Levels	3
Motor Maximum Power Consumption	65
Maximum Pressure	171,83
Intensive Speed (TURBO) Pressure	-
Control Type	Mechanic
Automatic shut-down timer	-
Electronic Filter Saturation Indicator	-
Filter Type	Metallic
Anti-grease Filter Number	2
Inner Shield	-
Lighting	
Light Type	CSLED
Adjustable Intensity Lighting	-
N° of Lamps	1
Installation	
Minimum height distance to a electric worktop hob (mm)	650
Minimum height distance to a gas worktop hob (mm)	650
Installation with Outlet tube to the exterior / Recirculating	BOTH
Easy Installation System	√
Electric Connection	
Total Rush Power (W)	67
Rated Voltage (V)	220-240
Network Frequency (Hz)	50
Electrical Insulation Class	CLASS I
Plug	-
Accessories	
Upper Decorative tube Extension	02863305
White Decorative Tube	-
Black Decorative Tube	-
Island Tube Enhancer	-
Check Valve	-
MAX PRO Metal Filter	-
Metal Filter	02800983
DUAL Filter (metal + active charcoal)	-
Active Charcoal Filter	02859495
Noiseless Flexible Duct	02893002