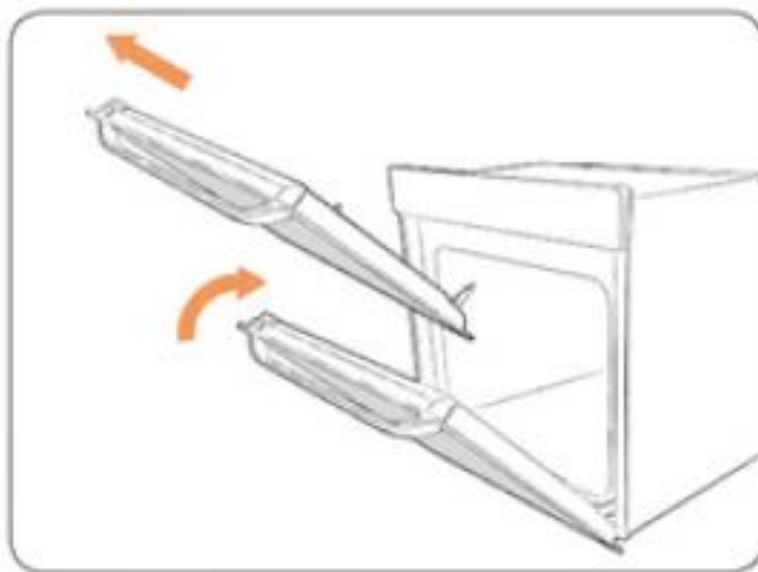
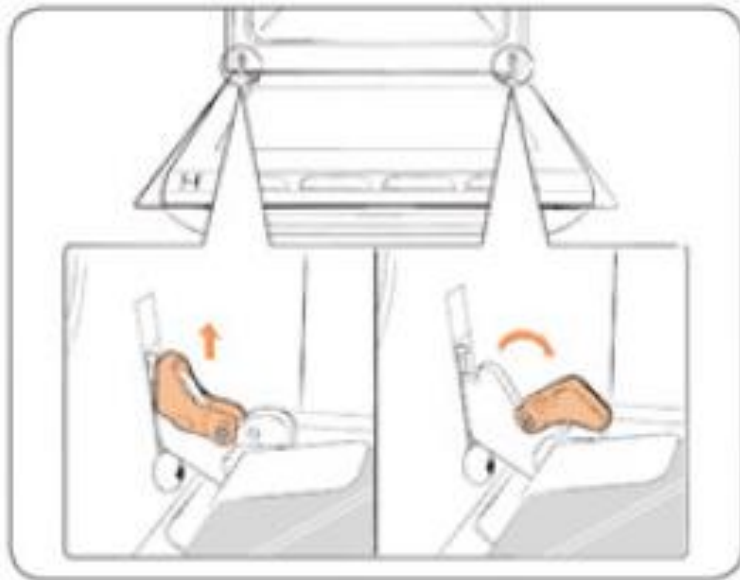
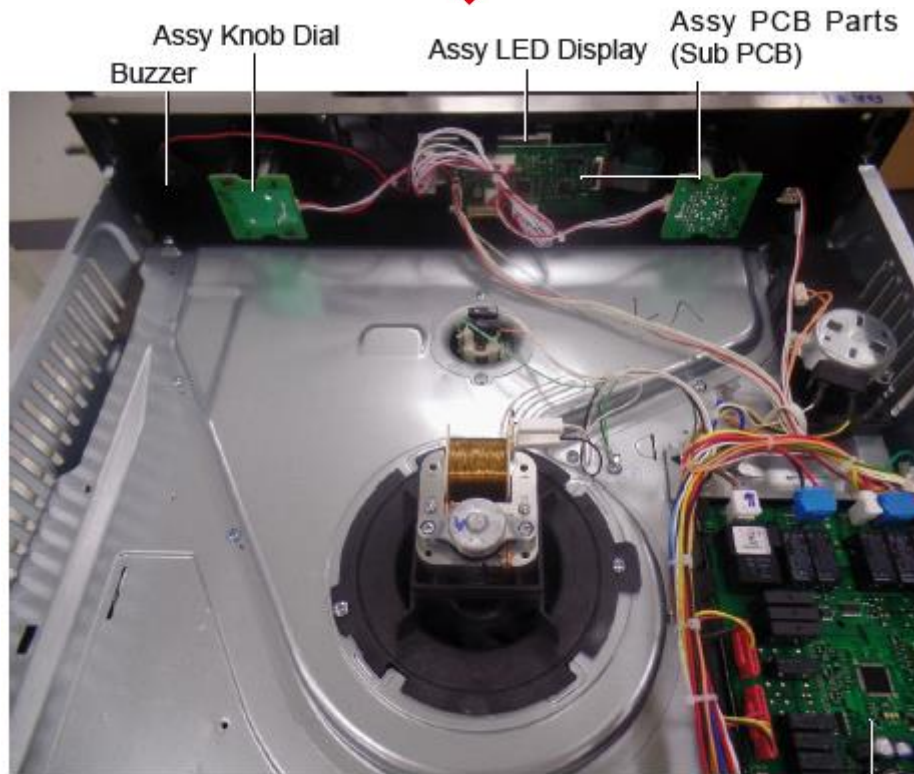


NV75K5571RS





Assy PCB Parts (Main PCB)



